



# **MAG Series**

## **Power Supply Unit**

MAG A1250GL PCIE5

MAG A1000GL PCIE5

User Guide

# Contents

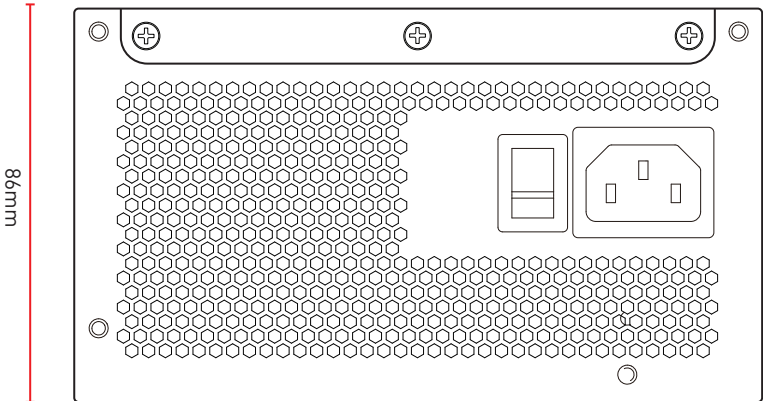
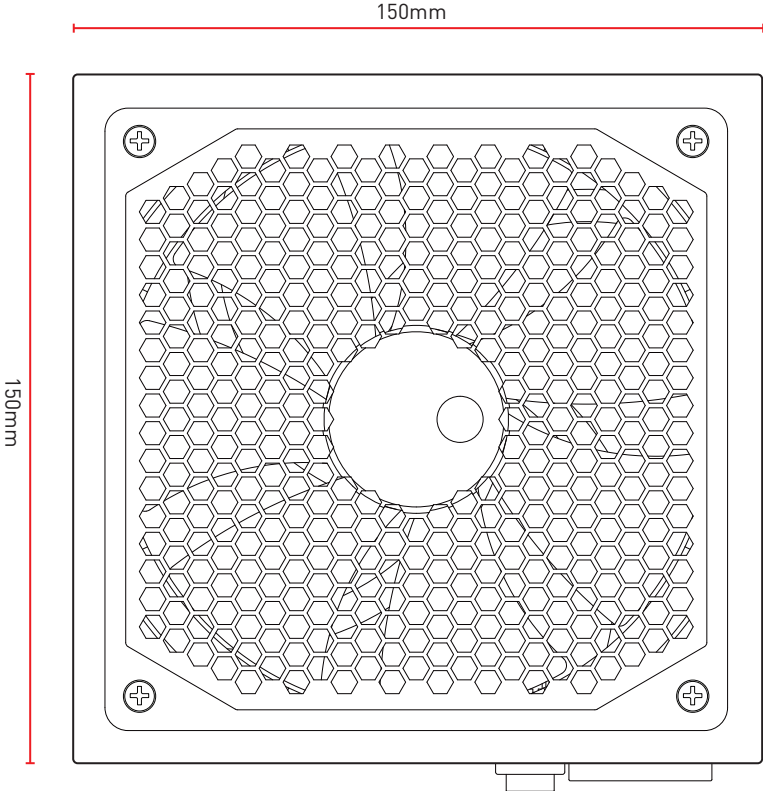
Specifications .....	2
Dimensions .....	3
Number of Power Connectors .....	4
Detachable Connectors .....	5
Connectivity and Cable Lengths .....	6
PCIe 16 Pin Cable Installation .....	7
Regulatory Notices .....	8

# Specifications

1250W					
AC Input	100~240V~, 15A, 50~60Hz 200~240V~, 7.5A, 50~60Hz For China and Korea				
DC Output	+5V	+3.3V	+12V	-12V	+5Vsb
	22.0A	22.0A	104.1A	0.3A	3.0A
Total Power	120W		1249W	3.6W	15W
	1250W				
Regulation	±5%	±5%	±5%	±5%	±5%
Ripple & Noise	50mVp-p	50mVp-p	80mVp-p	100mVp-p	50mVp-p

1000W					
AC Input	100~240V~, 13A, 50~60Hz 200~240V~, 6.5A, 50~60Hz For China and Korea				
DC Output	+5V	+3.3V	+12V	-12V	+5Vsb
	22.0A	22.0A	83.3A	0.3A	3.0A
Total Power	120W		999.6W	3.6W	15W
	1000W				
Regulation	±5%	±5%	±5%	±5%	±5%
Ripple & Noise	50mVp-p	50mVp-p	80mVp-p	100mVp-p	50mVp-p

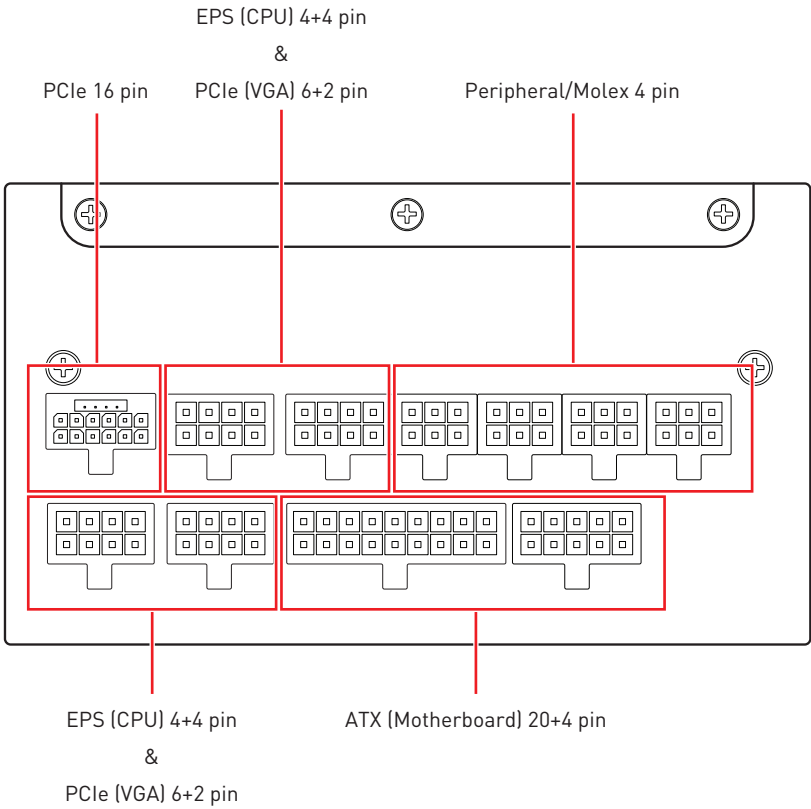
# Dimensions



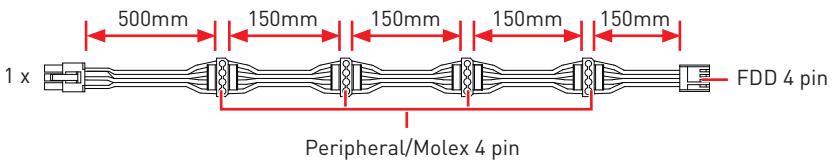
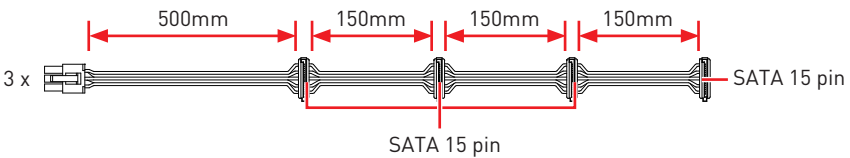
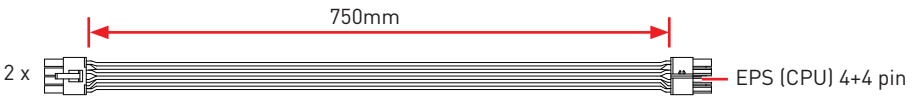
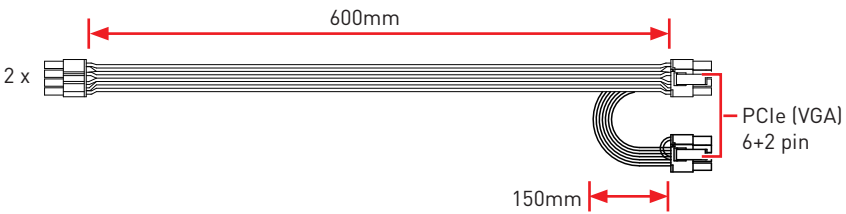
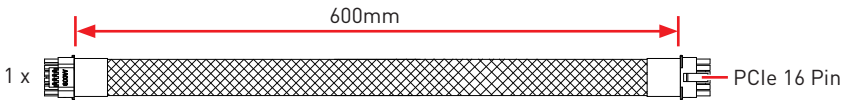
# Number of Power Connectors

Power Connectors	MAG A1250GL PCIE5 MAG A1000GL PCIE5
ATX (Motherboard) 20+4 pin	1
EPS (CPU) 4+4 pin	2
PCIe 16 Pin	1
PCIe (VGA) 6+2 pin	4
SATA 15 pin	12
Peripheral/Molex 4 pin	4
FDD 4 pin	1

# Detachable Connectors



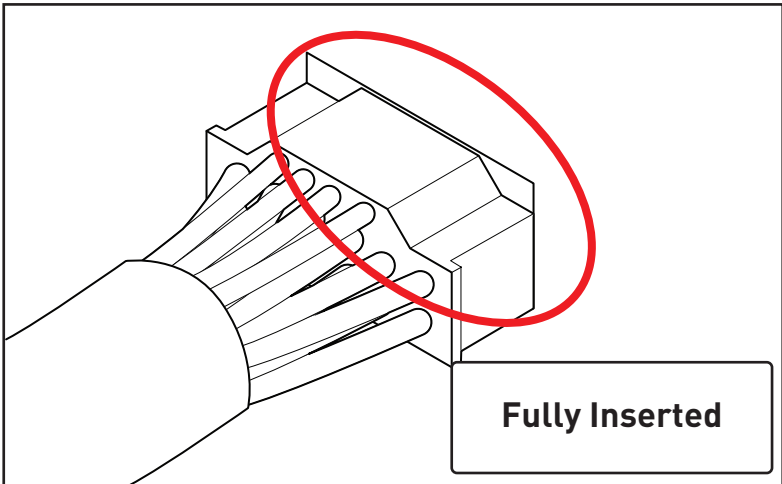
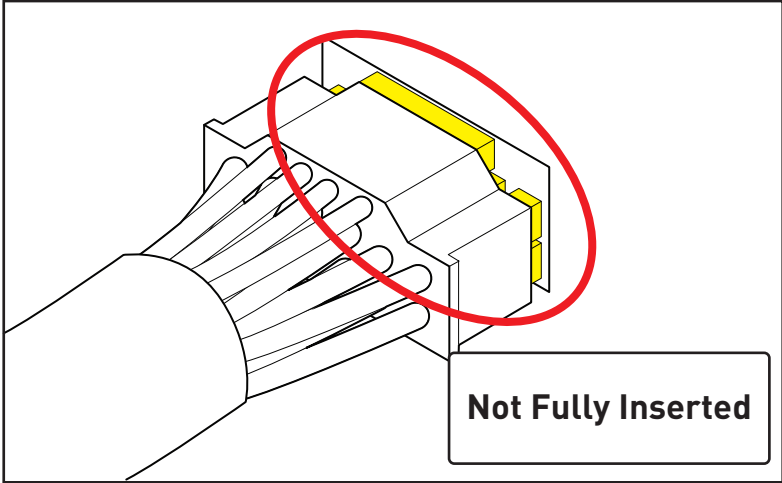
# Connectivity and Cable Lengths



# PCIe 16 Pin Cable Installation

 **CAUTION**

*Please fully insert the cable before use.*





# Regulatory Notices

## Model Number

Model No.: 7ZP9A, 7ZP9B

