

Quick Start

Thank you for purchasing the MSI® **MAG B460 TOMAHAWK** motherboard. This Quick Start section provides demonstration diagrams about how to install your computer. Some of the installations also provide video demonstrations. Please link to the URL to watch it with the web browser on your phone or tablet. You may have even link to the URL by scanning the QR code.

クイックスタート

この度は MSI® **MAG B460 TOMAHAWK** マザーボードをお買い上げいただき、誠にありがとうございます。このクイックスタートにはPCの組み立て方法のデモンストレーション図を掲載しています。いくつかの組み立て手順に付きましては、実演ビデオを提供しています。スマートフォンやタブレット端末のウェブブラウザで本書に記載されたURLにアクセスしてご覧ください。QRコードをスキャンすることでもURLのリンク先をご参照頂けます。

퀵 스타트

MSI® **MAG B460 TOMAHAWK** 메인보드를 선택해주셔서 감사합니다. 이 부분에서는 컴퓨터를 설치하는 방법에 대한 데모 다이어그램과 일부 데모 동영상을 제공하고 있습니다. 휴대전화 또는 태블릿의 웹 브라우저를 통하여 URL에 링크한 후 설치 동영상을 감상하시기 바랍니다. 또는 QR 코드를 스캔하여 URL에 링크할 수도 있습니다.

快速指引

感謝您購買 MSI® **MAG B460 TOMAHAWK** 主機板。本快速指引章節提供您安裝電腦的示範圖解，亦提供部分組件的安裝示範影片；請您以智慧型手機或平板的瀏覽器連上 URL 網址進行觀看。您也可以掃描 QR code 的方式快速連接至網址。

快速入门

感谢您购买 MSI® **MAG B460 TOMAHAWK** 主板。本快速入门部分提供了有关如何安装计算机演示图。某些设施还提供了视频演示。请使用您的手机或平板电脑上的网页浏览器链接至网址观看。您也可以通过扫描QR码链接到URL。

Installing a Processor/ CPUの取り付け/ 프로세서 설치하기/ 安裝處理器/ 安裝处理器

Youtube

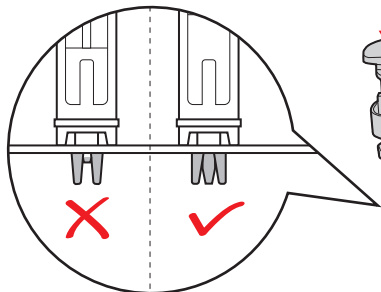
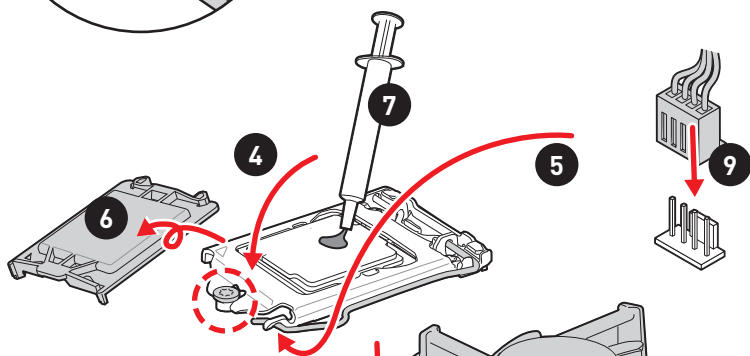
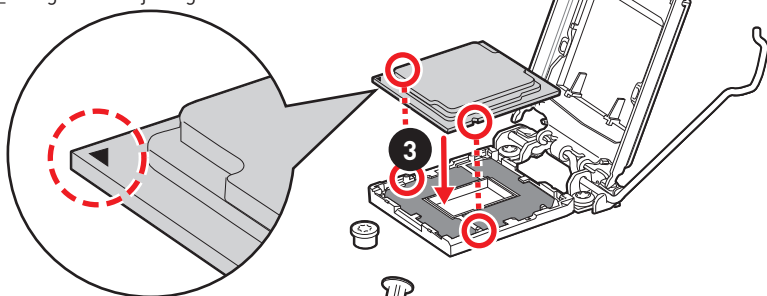
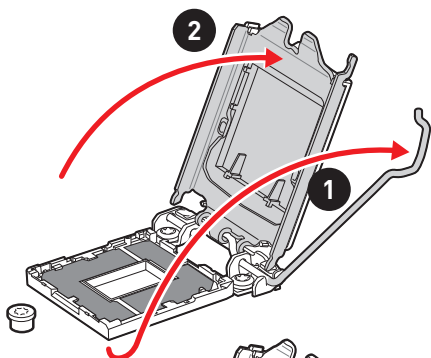


<https://youtu.be/4ce91YC30ww>

优酷



https://v.youku.com/v_show/id_XMTgxMzM2MjEzNg==.html



Installing DDR4 memory/ DDR4メモリの取り付け/ DDR4 메모리 설치하기/ 安裝 DDR4 記憶體/ 安裝 DDR4 内存

Youtube

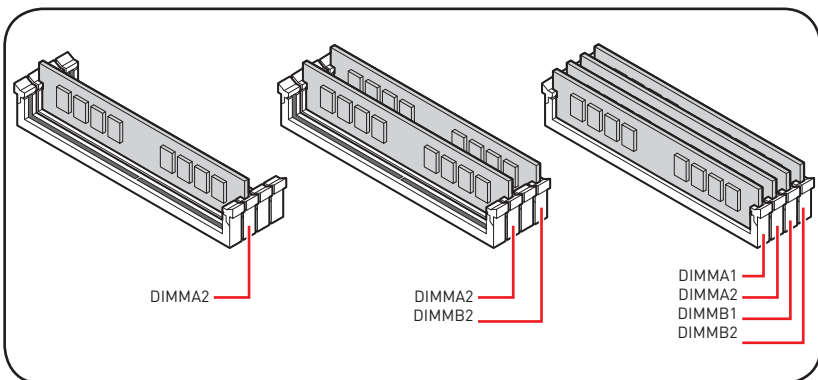
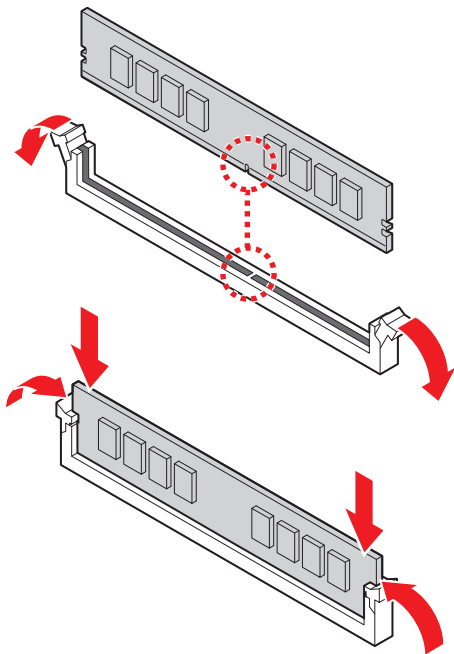


<http://youtu.be/T03aDrJPYqs>

优酷



http://v.youku.com/v_show/id_XNzUyMTI5ODI4.html



Connecting the Front Panel Header/ フロントパネルヘッダーの接続/ 전면 패널 커넥터 연결하기/ 連接前置面板針腳/ 连接前置面板接头

Youtube

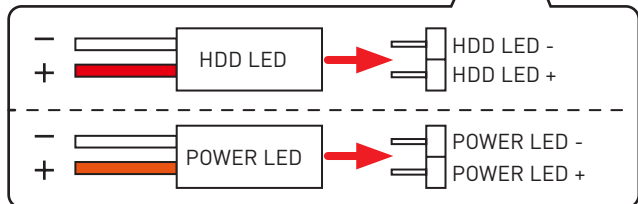
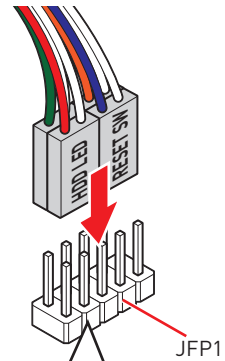
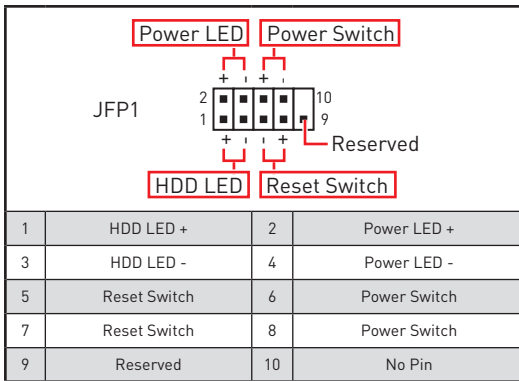
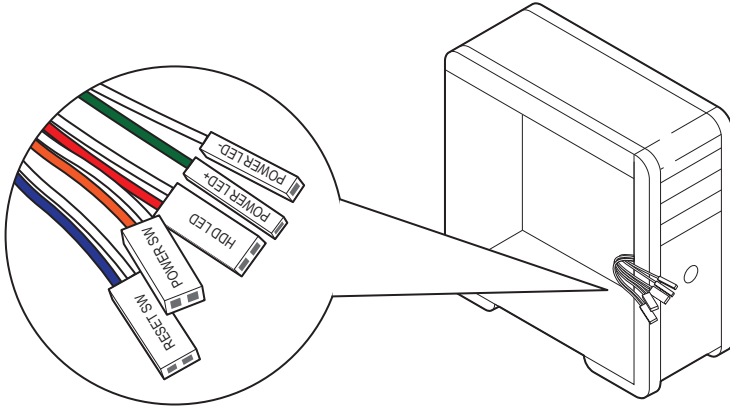


优酷

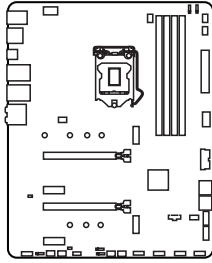


<http://youtu.be/DPELIdVNZUI>

http://v.youku.com/v_show/id_XNjcyMTczMzZM2.html



Installing the Motherboard/ マザーボードの取り付け/ 메인보드 설치하기/ 安裝主機板/ 安裝主板



Youtube

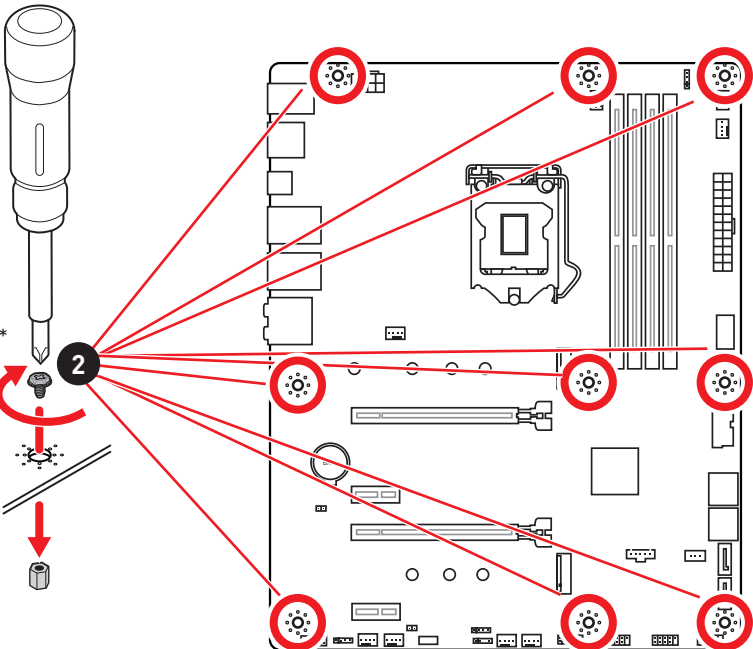
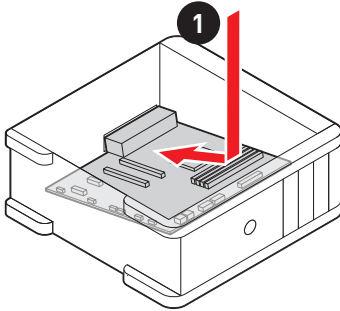


<https://youtu.be/wWl6Qt51Wnc>

优酷



https://v.youku.com/v_show/id_XNDUwMDUyNTkwOA==.html



Connecting the Power Connectors/ 電源コネクターの接続/ 전원 커넥터 연결하기/ 插上電源接頭/ 连接电源接头

Youtube

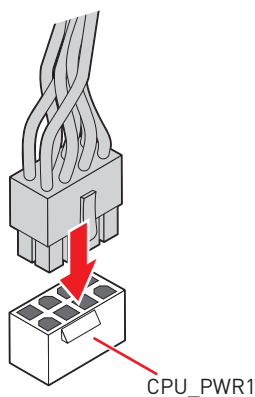
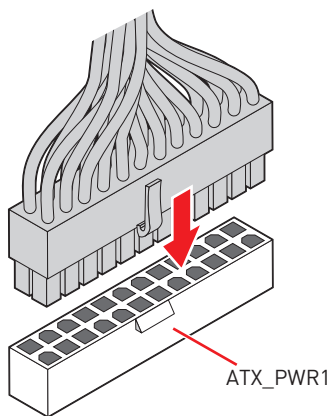
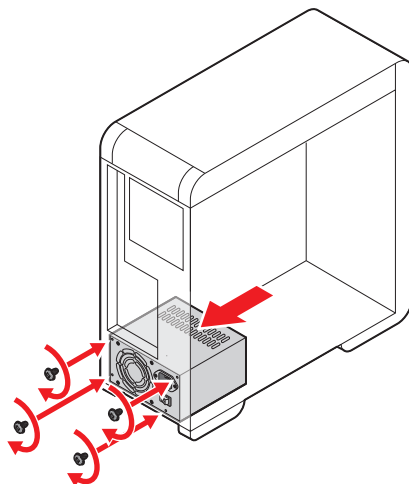


优酷



http://youtu.be/gkDYyR_8314

http://v.youku.com/v_show/id_XNDkzODU0MDQw.html



Installing SATA Drives/ SATAドライブの取り付け/ SATA 드라이브 설치하기/ 安装 SATA 磁碟機/ 安装 SATA 设备

Youtube

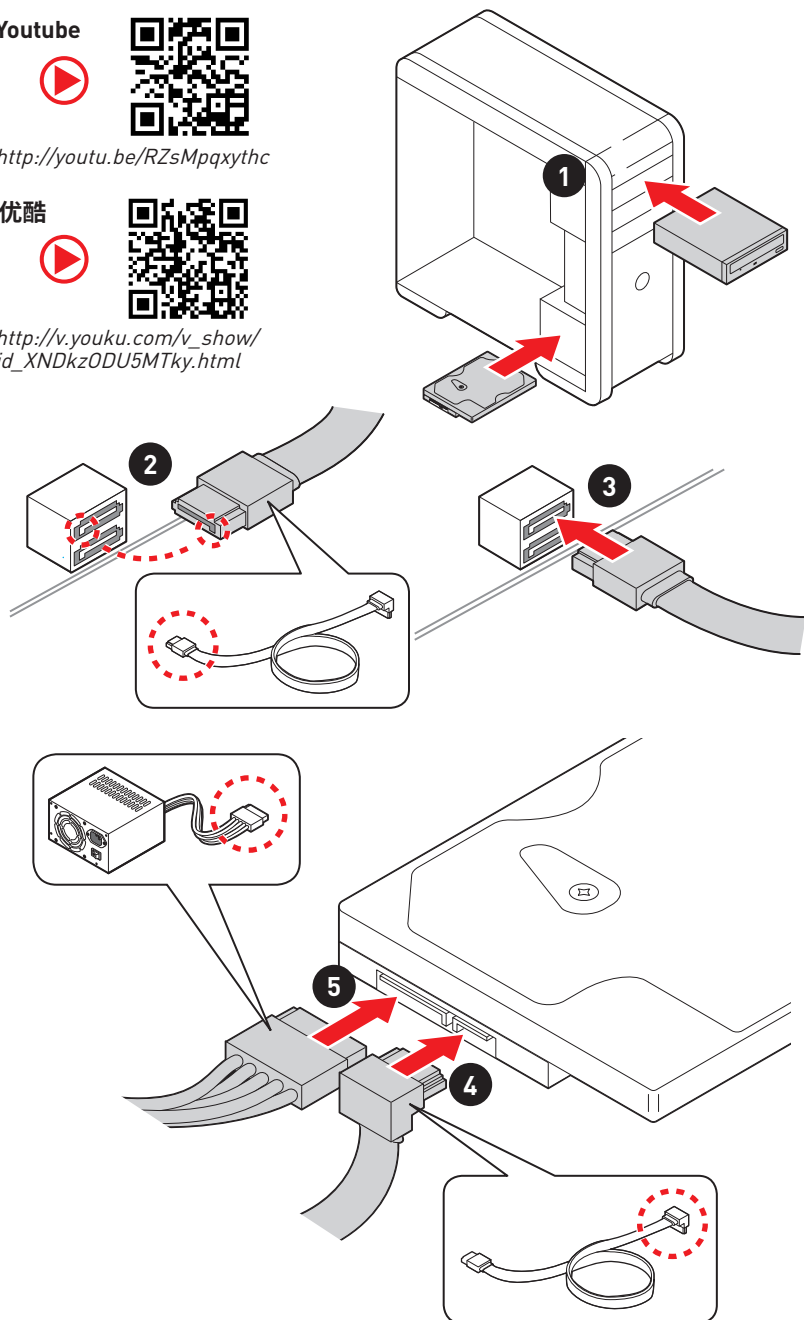


<http://youtu.be/RZsMpqxythc>

优酷



http://v.youku.com/v_show/id_XNDkzODU5MTky.html



Installing a Graphics Card/ グラフィックスクードの取り付け/ 그래픽 카드 설치하기 / 安裝顯示卡/ 安裝显卡

Youtube

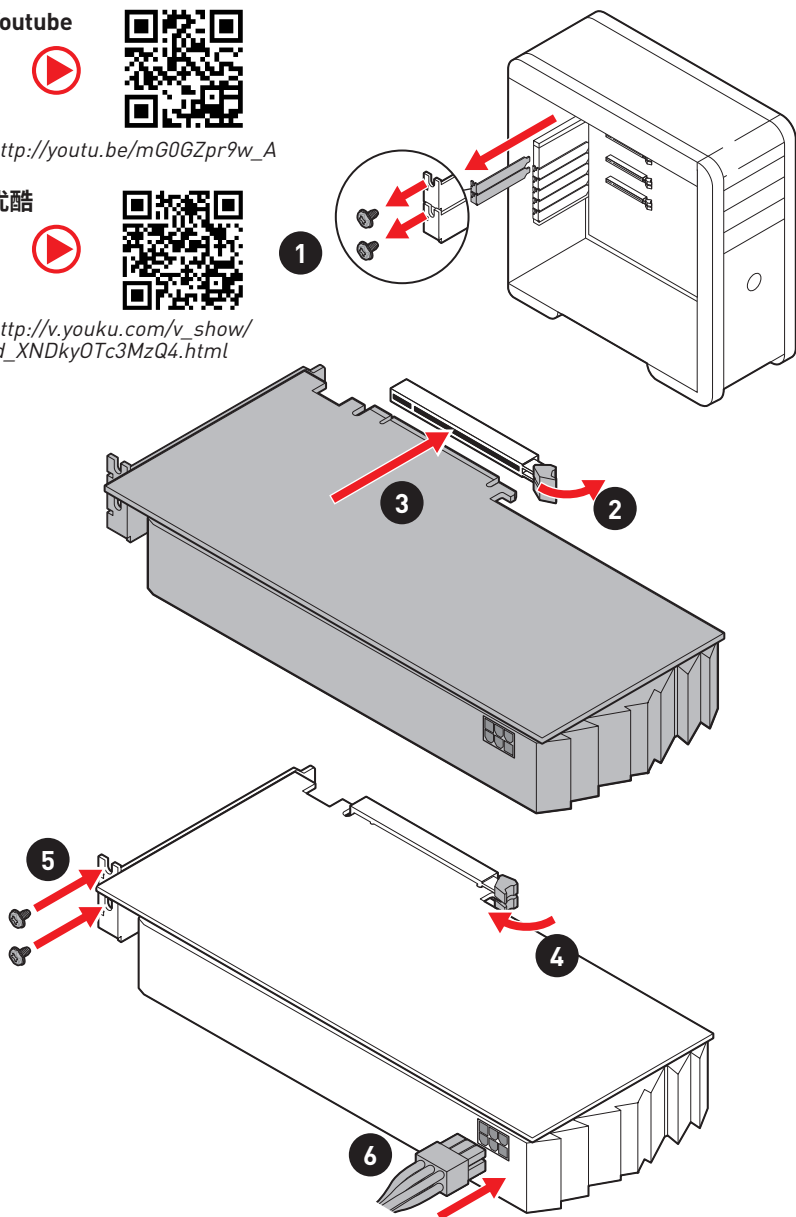


http://youtu.be/mG0GZpr9w_A

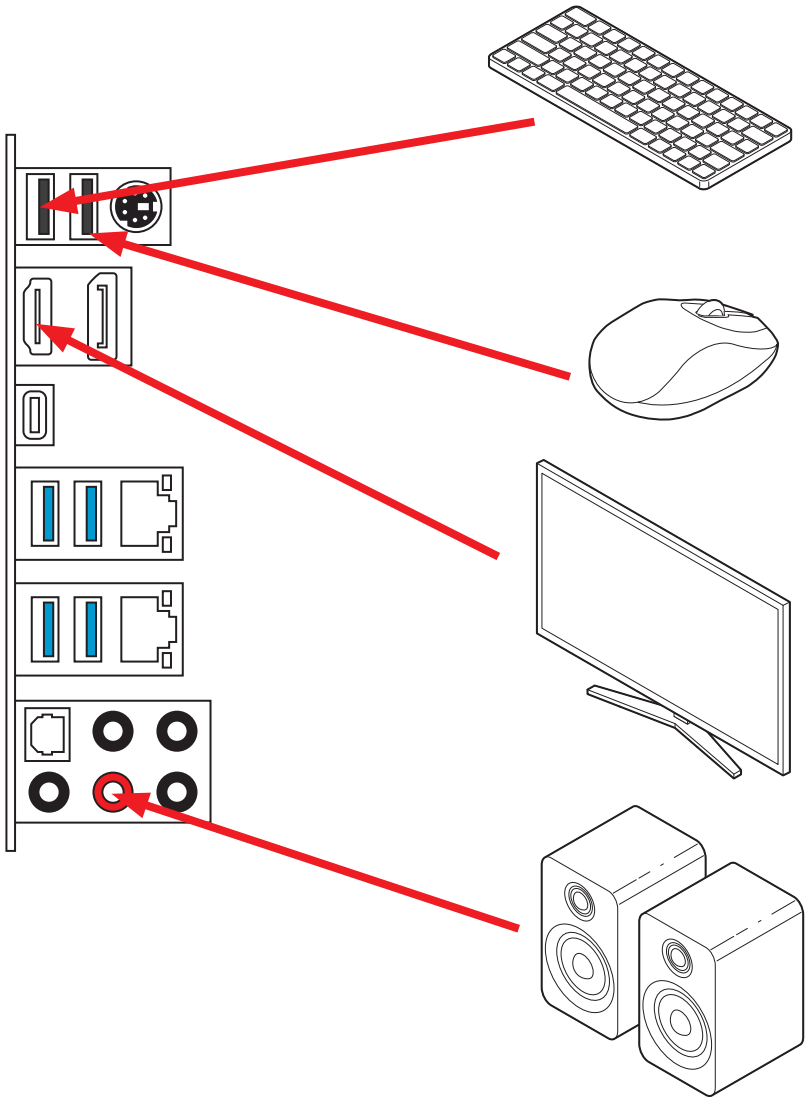
优酷



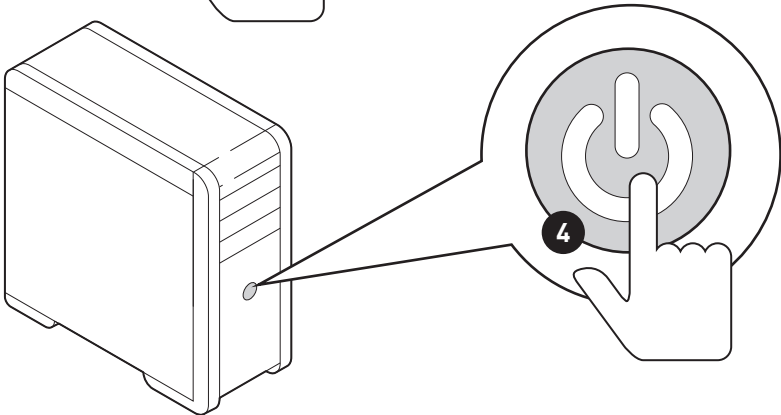
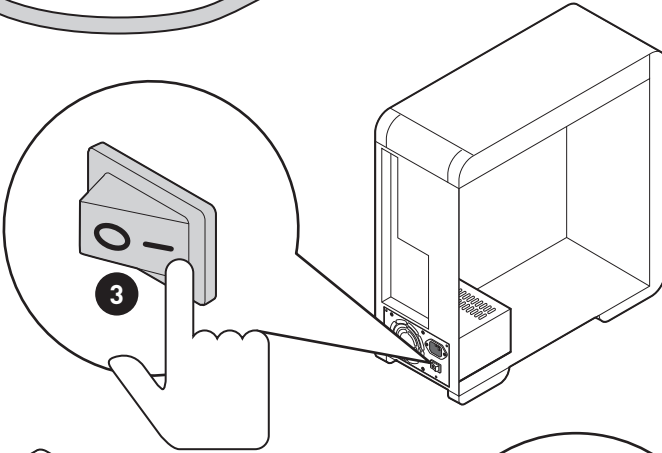
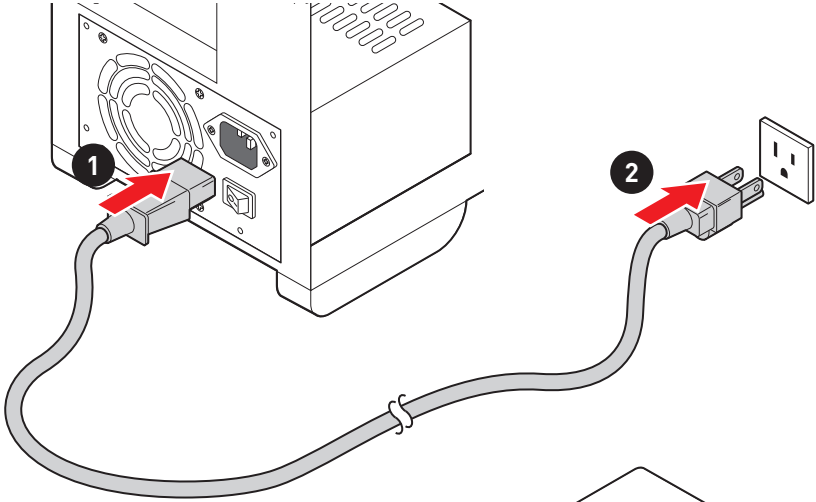
http://v.youku.com/v_show/id_XNDkyOTc3MzQ4.html



Connecting Peripheral Devices/ 周辺機器の接続/
주변 장치 연결하기/ 連接周邊設備/ 连接外围设备



Power On/ 通電/ 전원 켜기/ 啟動電源/ 开机



Contents

Safety Information	3
Specifications	4
Package contents	9
Rear I/O Panel	10
LAN Port LED Status Table	10
Audio Ports Configuration	10
Realtek Audio Console	11
Overview of Components	13
CPU Socket	14
DIMM Slots.....	15
PCI_E1~4: PCIe Expansion Slots.....	16
SATA1~6: SATA 6Gb/s Connectors.....	16
M2_1~2: M.2 Slots (Key M)	17
JFP1, JFP2: Front Panel Connectors.....	19
JAUD1: Front Audio Connector	19
CPU_PWR1, ATX_PWR1: Power Connectors.....	20
JUSB1: USB 3.2 Gen 1 5Gbps Type-C Connector.....	21
JUSB2: USB 3.2 Gen 1 5Gbps Connector	21
JUSB3~4: USB 2.0 Connectors.....	22
JTPM1: TPM Module Connector.....	22
CPU_FAN1, PUMP_FAN1, SYS_FAN1~6: Fan Connectors.....	23
JCI1: Chassis Intrusion Connector.....	24
JBAT1: Clear CMOS (Reset BIOS) Jumper.....	25
JTBT1: Thunderbolt Add-on Card Connector	25
JRTD3: Intel RTD3 Connector	25
EZ Debug LED.....	26
LED_SW1: EZ LED Control	26
JRGB1~2: RGB LED connector.....	27
JRAINBOW1~2: Addressable RGB LED connectors	28
Installing OS, Drivers & Utilities	29
Installing Windows® 10.....	29
Installing Drivers	29
Installing Utilities	29

UEFI BIOS.....	30
BIOS Setup.....	31
Entering BIOS Setup.....	31
Resetting BIOS.....	32
Updating BIOS.....	32
EZ Mode	34
Advanced Mode	37
OC Menu.....	38

Safety Information

- The components included in this package are prone to damage from electrostatic discharge (ESD). Please adhere to the following instructions to ensure successful computer assembly.
- Ensure that all components are securely connected. Loose connections may cause the computer to not recognize a component or fail to start.
- Hold the motherboard by the edges to avoid touching sensitive components.
- It is recommended to wear an electrostatic discharge (ESD) wrist strap when handling the motherboard to prevent electrostatic damage. If an ESD wrist strap is not available, discharge yourself of static electricity by touching another metal object before handling the motherboard.
- Store the motherboard in an electrostatic shielding container or on an anti-static pad whenever the motherboard is not installed.
- Before turning on the computer, ensure that there are no loose screws or metal components on the motherboard or anywhere within the computer case.
- Do not boot the computer before installation is completed. This could cause permanent damage to the components as well as injury to the user.
- If you need help during any installation step, please consult a certified computer technician.
- Always turn off the power supply and unplug the power cord from the power outlet before installing or removing any computer component.
- Keep this user guide for future reference.
- Keep this motherboard away from humidity.
- Make sure that your electrical outlet provides the same voltage as is indicated on the PSU, before connecting the PSU to the electrical outlet.
- Place the power cord such a way that people can not step on it. Do not place anything over the power cord.
- All cautions and warnings on the motherboard should be noted.
- If any of the following situations arises, get the motherboard checked by service personnel:
 - Liquid has penetrated into the computer.
 - The motherboard has been exposed to moisture.
 - The motherboard does not work well or you can not get it work according to user guide.
 - The motherboard has been dropped and damaged.
 - The motherboard has obvious sign of breakage.
- Do not leave this motherboard in an environment above 60°C (140°F), it may damage the motherboard.

Specifications

CPU	<p>Supports 10th Gen Intel® Core™ and Pentium® Gold / Celeron® processors for LGA 1200 socket*</p> <p>* Please go to www.intel.com for more compatibility information.</p> <p>* Onboard graphics output are disabled when using F SKU processors.</p>
Chipset	Intel® B460 Chipset
Memory	<ul style="list-style-type: none"> • 4x DDR4 memory slots, support up to 128GB* • Intel® Core™ i7/ i9 <ul style="list-style-type: none"> ▪ Supports up to DDR4 2933 MHz • Intel® Core™ i5 and below <ul style="list-style-type: none"> ▪ Supports up to DDR4 2666 MHz • Supports Dual-Channel mode • Supports non-ECC, un-buffered memory • Supports Intel® Extreme Memory Profile (XMP) <p>* Please refer www.msi.com for more information on compatible memory.</p>
Expansion Slot	<ul style="list-style-type: none"> • 1x PCIe 3.0 x16 slot (From CPU, PCI_E1), supports x16 mode • 1x PCIe 3.0 x16 slot (From PCH, PCI_E3), supports x4 mode* • 2x PCIe 3.0 x1 slots (From PCH) <p>* PCI_E3 will be unavailable when installing M.2 SSD in the M2_2 slot.</p>
Onboard Graphics	<ul style="list-style-type: none"> • 1x HDMI port, supports a maximum resolution of 4096x2160 @30Hz • 1x DisplayPort, supports a maximum resolution of 4096x2304 @60Hz
Audio	<ul style="list-style-type: none"> • Realtek® ALC1200 Codec <ul style="list-style-type: none"> ▪ 7.1-Channel High Definition Audio ▪ Supports S/PDIF output
LAN	<ul style="list-style-type: none"> • 1x Realtek® RTL8125B 2.5Gbps LAN controller • 1x Intel® I219V 1Gbps LAN controller

Continued on next page

Continued from previous page

Storage	<p>Intel® B460 Chipset</p> <ul style="list-style-type: none">• 6x SATA 6Gb/s ports*• 2x M.2 slots (Key M)<ul style="list-style-type: none">▪ M2_1 supports up to PCIe 3.0 x4 and SATA 6Gb/s, 2242/ 2260/ 2280/ 22110 storage devices*▪ M2_2 supports up to PCIe 3.0 x4, 2242/ 2260/ 2280 storage devices**▪ Intel® Optane™ Memory Ready***▪ Supports Intel® Smart Response Technology for Intel Core™ processors <p>* SATA1 will be unavailable when installing M.2 SATA SSD in the M2_1 slot. ** PCI_E3 will be unavailable when installing M.2 SSD in the M2_2 slot. *** Before using Intel® Optane™ memory modules, please ensure that you have updated the drivers and BIOS to the latest version from MSI website.</p>
RAID	<ul style="list-style-type: none">• Intel® B460 Chipset<ul style="list-style-type: none">▪ Supports RAID 0, RAID 1, RAID 5 and RAID 10 for SATA storage devices
USB	<ul style="list-style-type: none">• Intel® B460 Chipset<ul style="list-style-type: none">▪ 6x USB 3.2 Gen 1 5Gbps ports (4 Type-A ports on the back panel, 2 ports through the internal USB 3.2 Gen 1 connector)▪ 1x USB 3.2 Gen 1 5Gbps port (1 Type-C internal connector)▪ 6x USB 2.0 ports (2 Type-A ports on the back panel, 4 ports through the internal USB 2.0 connectors)• ASMedia® 3241 Chipset<ul style="list-style-type: none">▪ 1x USB 3.2 Gen 2x2 20Gbps Type-C port on the back panel


Continued on next page

Continued from previous page

Back Panel Connectors	<ul style="list-style-type: none">• 1x PS/2 keyboard/ mouse combo port• 2x USB 2.0 Type-A ports• 1x Display port• 1x HDMI port• 1x USB 3.2 Gen 2x2 20Gbps Type-C port• 2x LAN (RJ45) ports• 4x USB 3.2 Gen 1 5Gbps Type-A ports• 5x Audio jacks• 1x Optical S/PDIF Out connector
Internal Connectors	<ul style="list-style-type: none">• 1x 24-pin ATX main power connector• 1x 8-pin ATX 12V power connector• 6x SATA 6Gb/s connectors• 2x M.2 slots (M-Key)• 1x USB 3.2 Gen 1 5Gbps Type-C port• 1x USB 3.2 Gen 1 5Gbps connector (supports additional 2 USB 3.2 Gen 1 5Gbps ports)• 2x USB 2.0 connectors (supports additional 4 USB 2.0 ports)• 1x 4-pin CPU fan connector• 1x 4-pin water-pump fan connector• 6x 4-pin system fan connectors• 1x Front panel audio connector• 2x System panel connectors• 1x Chassis Intrusion connector• 2x 4-pin RGB LED connector• 2x 3-pin RAINBOW LED connectors• 1xTPM module connector• 1x Clear CMOS jumper• 1x TBT connector*• 1x RTD3 connector <p>* Thunderbolt card needs to support RTD3.</p>
LED Features	<ul style="list-style-type: none">• 1x EZ LED Control switch• 4x EZ Debug LED

Continued on next page

Continued from previous page

I/O Controller	NUVOTON NCT6687 Controller Chip
Hardware Monitor	<ul style="list-style-type: none"> • CPU/System temperature detection • CPU/System fan speed detection • CPU/System fan speed control
Form Factor	<ul style="list-style-type: none"> • ATX Form Factor • 12 in. x 9.6 in. (30.5 cm x 24.4 cm)
BIOS Features	<ul style="list-style-type: none"> • 1x 128 Mb flash • UEFI AMI BIOS • ACPI 6.2, SMBIOS 3.2 • Multi-language
Software	<ul style="list-style-type: none"> • Drivers • DRAGON CENTER • MSI APP Player (BlueStacks) • Open Broadcaster Software (OBS) • CPU-Z MSI GAMING • Intel® Extreme Tuning Utility • Google Chrome™, Google Toolbar, Google Drive • Norton™ Internet Security Solution
Dragon Center Features	<ul style="list-style-type: none"> • Gaming Mode • Gaming Hotkey • LAN Manager • Mystic Light • User Scenario • Hardware Monitor • True Color • Live Update • DPC Latency Tuner • Speed Up • Smart Tool • Super Charger <div style="text-align: right;">  <p>Please refer to http://download.msi.com/manual/mb/DRAGONCENTER2.pdf for more details.</p> </div>

Continued on next page

Continued from previous page

Special Features

- Audio
 - Audio Boost
- Network
 - 2.5G LAN
 - LAN Manager
- Cooling
 - M.2 Shield Frozr
 - Pump Fan
 - Smart Fan Control
- LED
 - Mystic Light
 - Mystic Light Extension (RAINBOW/RGB)
 - Mystic Light SYNC
 - EZ LED Control
 - EZ DEBUG LED
- Performance
 - DDR4 Boost
 - Core Boost
 - Lightning USB 20G
 - Front USB Type-C
- Protection
 - PCI-E Steel Armor
 - Pre-installed I/O Shielding
- Experience
 - Dragon Center
 - Click BIOS 5

Package contents

Please check the contents of your motherboard package. It should contain:

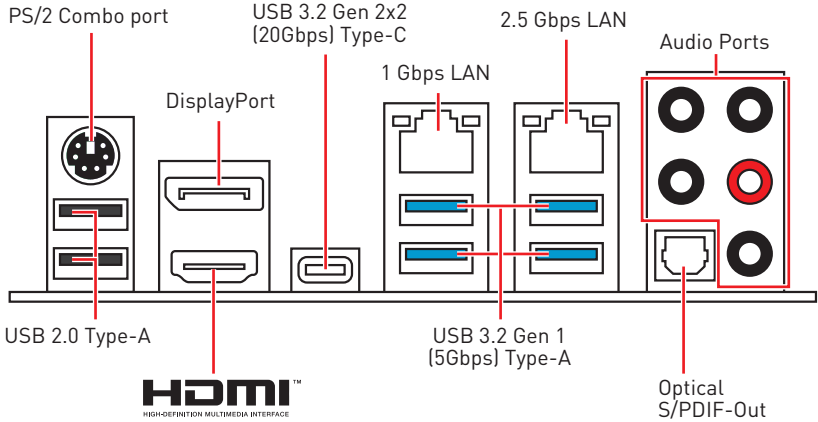
Motherboard	MAG B460 TOMAHAWK	
Cable	SATA 6G cables (2 cables/pack)	1
Accessories	M.2 screws (3 pcs./pack)	1
	Case Badge	1
	Product registration card	1
Application	Driver DVD	1
Documentation	User manual	1
	Quick installation guide	1



Important

If any of the above items are damaged or missing, please contact your retailer.

Rear I/O Panel



LAN Port LED Status Table

Link/ Activity LED		Speed LED												
Status	Description													
Off	No link	<table border="1"> <thead> <tr> <th>Status</th> <th>1 Gbps LAN</th> <th>2.5 Gbps LAN</th> </tr> </thead> <tbody> <tr> <td>Off</td> <td>10 Mbps</td> <td>10 Mbps</td> </tr> <tr> <td>Green</td> <td>100 Mbps/ 1 Gbps</td> <td>100 Mbps/ 1 Gbps</td> </tr> <tr> <td>Orange</td> <td>non-available</td> <td>2.5 Gbps</td> </tr> </tbody> </table>	Status	1 Gbps LAN	2.5 Gbps LAN	Off	10 Mbps	10 Mbps	Green	100 Mbps/ 1 Gbps	100 Mbps/ 1 Gbps	Orange	non-available	2.5 Gbps
Status	1 Gbps LAN		2.5 Gbps LAN											
Off	10 Mbps		10 Mbps											
Green	100 Mbps/ 1 Gbps		100 Mbps/ 1 Gbps											
Orange	non-available	2.5 Gbps												
Yellow	Linked													
Blinking	Data activity													

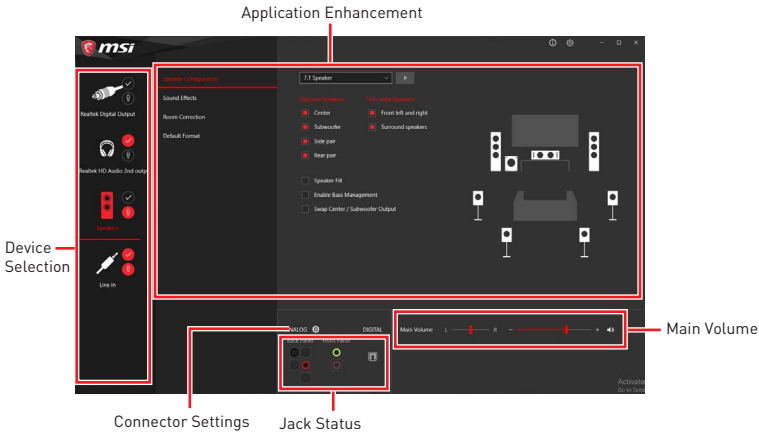
Audio Ports Configuration

Audio Ports	Channel			
	2	4	6	8
Center/ Subwoofer Out			●	●
Rear Speaker Out		●	●	●
Line-In/ Side Speaker Out				●
Line-Out/ Front Speaker Out	●	●	●	●
Mic In				

(●: connected, Blank: empty)

Realtek Audio Console

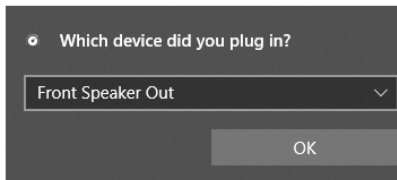
After Realtek Audio Console is installed. You can use it to change sound settings to get better sound experience.



- **Device Selection** - allows you to select a audio output source to change the related options. The **check** sign indicates the devices as default.
- **Application Enhancement** - the array of options will provide you a complete guidance of anticipated sound effect for both output and input device.
- **Main Volume** - controls the volume or balance the right/left side of the speakers that you plugged in front or rear panel by adjust the bar.
- **Jack Status** - depicts all render and capture devices currently connected with your computer.
- **Connector Settings** - configures the connection settings.

Auto popup dialog

When you plug into a device at an audio jack, a dialogue window will pop up asking you which device is current connected.

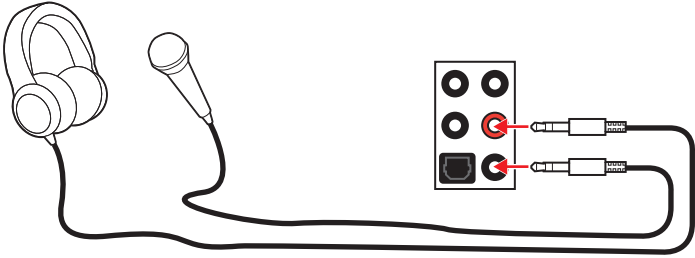


Each jack corresponds to its default setting as shown on the next page.

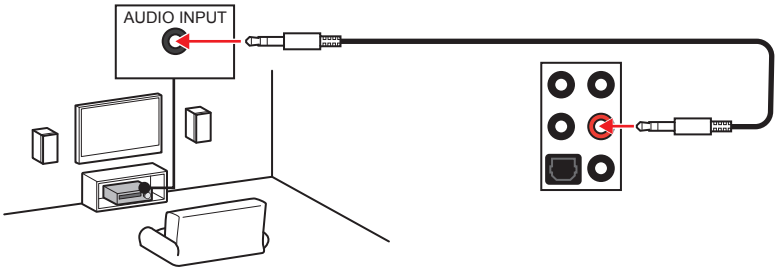
Important

The pictures above for reference only and may vary from the product you purchased.

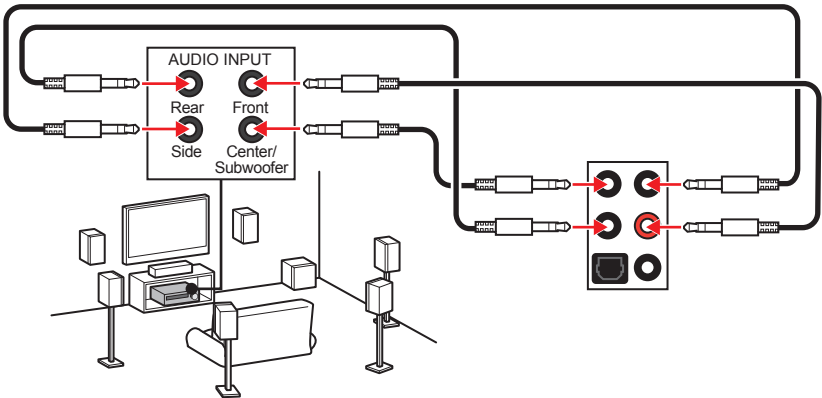
Audio jacks to headphone and microphone diagram



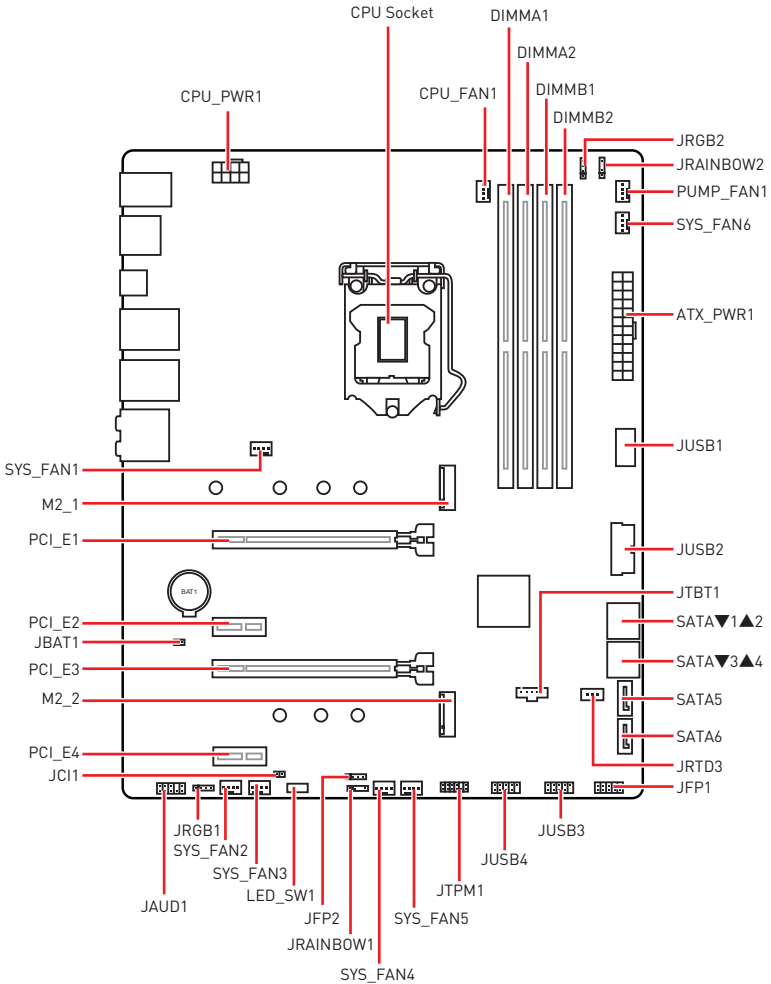
Audio jacks to stereo speakers diagram



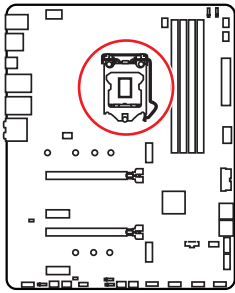
Audio jacks to 7.1-channel speakers diagram



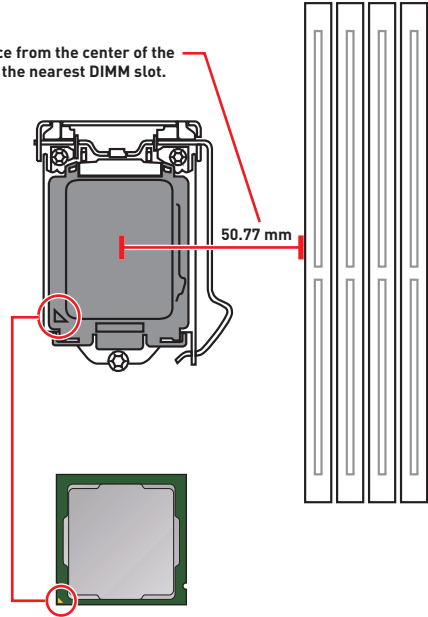
Overview of Components



CPU Socket



Distance from the center of the CPU to the nearest DIMM slot.



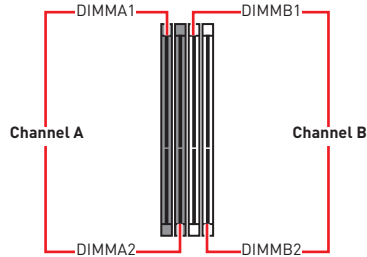
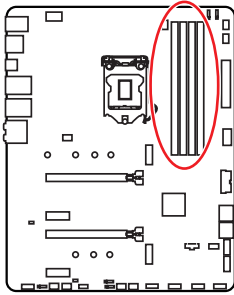
Introduction to the LGA 1200 CPU

The surface of the LGA 1200 CPU has two **notches** and a **golden triangle** to assist in correctly lining up the CPU for motherboard placement. The golden triangle is the Pin 1 indicator.

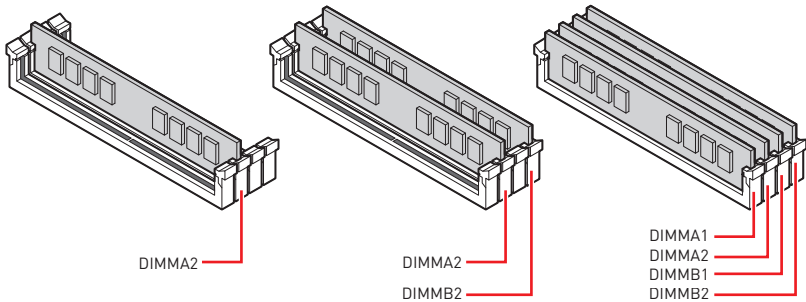
Important

- Always unplug the power cord from the power outlet before installing or removing the CPU.
- Please retain the CPU protective cap after installing the processor. MSI will deal with Return Merchandise Authorization (RMA) requests if only the motherboard comes with the protective cap on the CPU socket.
- When installing a CPU, always remember to install a CPU heatsink. A CPU heatsink is necessary to prevent overheating and maintain system stability.
- Confirm that the CPU heatsink has formed a tight seal with the CPU before booting your system.
- Overheating can seriously damage the CPU and motherboard. Always make sure the cooling fans work properly to protect the CPU from overheating. Be sure to apply an even layer of thermal paste (or thermal tape) between the CPU and the heatsink to enhance heat dissipation.
- Whenever the CPU is not installed, always protect the CPU socket pins by covering the socket with the plastic cap.
- If you purchased a separate CPU and heatsink/ cooler, Please refer to the documentation in the heatsink/ cooler package for more details about installation.
- This motherboard is designed to support overclocking. Before attempting to overclock, please make sure that all other system components can tolerate overclocking. Any attempt to operate beyond product specifications is not recommended. MSI® does not guarantee the damages or risks caused by inadequate operation beyond product specifications.

DIMM Slots



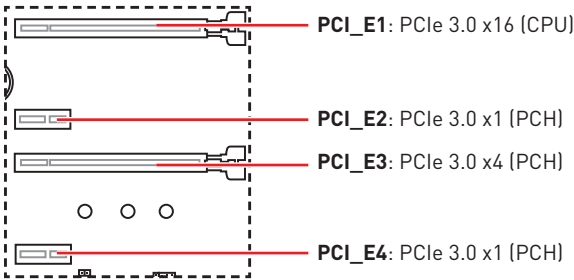
Memory module installation recommendation



Important

- Always insert memory modules in the **DIMMA2** slot first.
- To ensure system stability for Dual channel mode, memory modules must be of the same type, number and density.
- Some memory modules may operate at a lower frequency than the marked value when overclocking due to the memory frequency operates dependent on its Serial Presence Detect (SPD). Go to BIOS and find the **DRAM Frequency** to set the memory frequency if you want to operate the memory at the marked or at a higher frequency.
- It is recommended to use a more efficient memory cooling system for full DIMMs installation or overclocking.
- The stability and compatibility of installed memory module depend on installed CPU and devices when overclocking.
- Please refer www.msi.com for more information on compatible memory.

PCI_E1~4: PCIe Expansion Slots

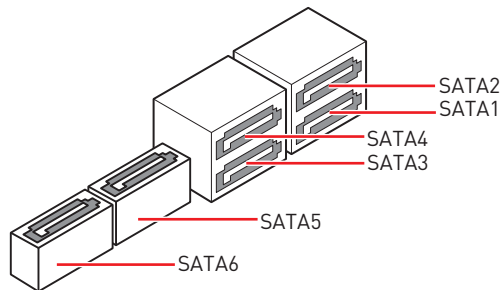
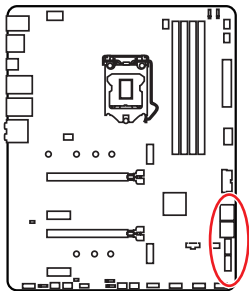


Important

- *PCI_E3 will be unavailable when installing M.2 SSD in the M2_2 slot.*
- *If you install a large and heavy graphics card, you need to use a tool such as **MSI Gaming Series Graphics Card Bolster** to support its weight to prevent deformation of the slot.*
- *For a single PCIe x16 expansion card installation with optimum performance, using the **PCI_E1** slot is recommended.*
- *When adding or removing expansion cards, always turn off the power supply and unplug the power supply power cable from the power outlet. Read the expansion card's documentation to check for any necessary additional hardware or software changes.*

SATA1~6: SATA 6Gb/s Connectors

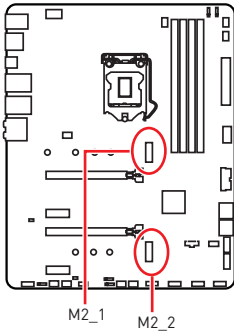
These connectors are SATA 6Gb/s interface ports. Each connector can connect to one SATA device.



Important

- *Please do not fold the SATA cable at a 90-degree angle. Data loss may result during transmission otherwise.*
- *SATA cables have identical plugs on either sides of the cable. However, it is recommended that the flat connector be connected to the motherboard for space saving purposes.*
- *SATA1 will be unavailable when installing M.2 SATA SSD in the M2_1 slot.*

M2_1~2: M.2 Slots (Key M)



Video Demonstration

Watch the video to learn how to Install M.2 module.

<http://youtu.be/JCTFABytrYA>

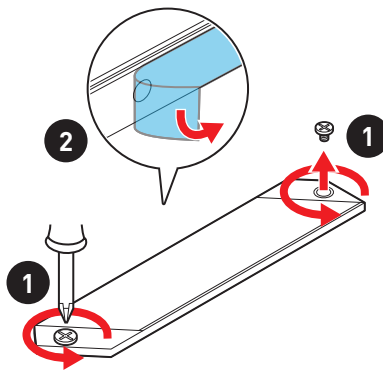


Important

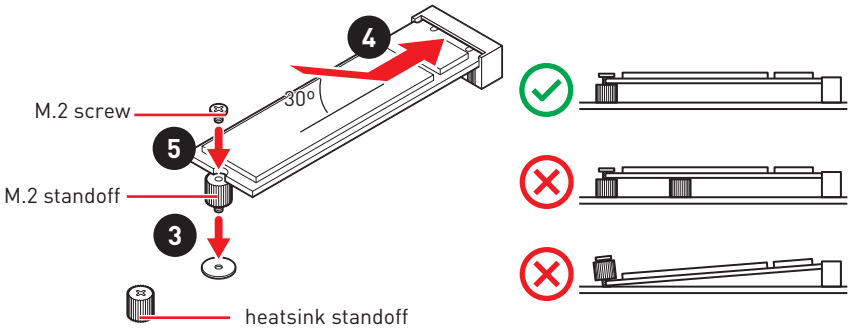
- Intel® RST only supports PCIe M.2 SSD with UEFI ROM (M2_2 slot only).
- Intel® Optane™ Memory Ready for all M2_2 slot.

M2_1 slot installation

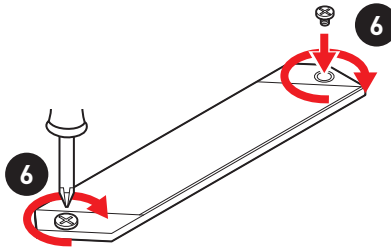
1. Loosen the screws of M.2 SHIELD FROZR heatsink.
2. Remove the M.2 SHIELD FROZR and remove the protective films from the thermal pads.



3. Move and fasten the M.2 standoff to the appropriate position for your M.2 SSD, or remove the M.2 standoff if your M.2 SSD length is same as the length of M.2 heatsink to avoid damage to the M.2 SSD.
4. Insert your M.2 SSD into the M.2 slot at a 30-degree angle.
5. Secure the M.2 SSD in place with the M.2 screw, or skip this step if you remove the M.2 standoff in step 3.



6. Put the M.2 SHIELD FROZR heatsink back in place and secure it.

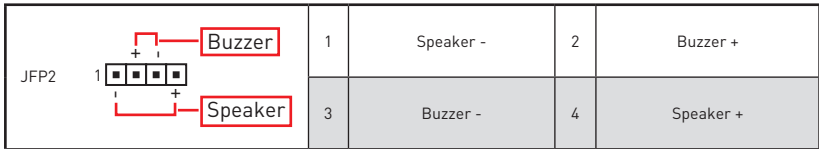
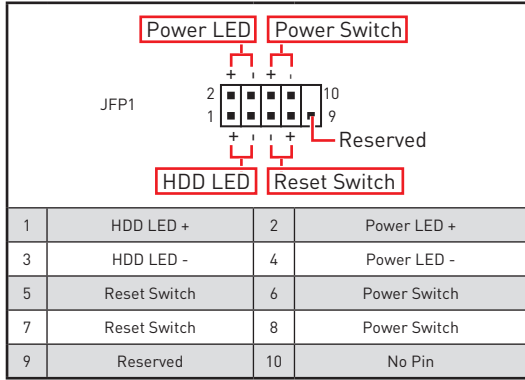
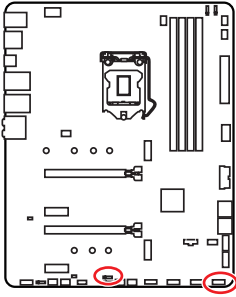


M2_2 slot installation

Please follows the step3, 4 and 5 to install the M.2 SSD to the M2_2 slot.

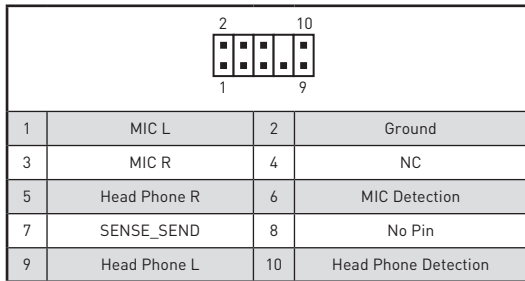
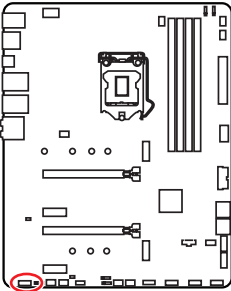
JFP1, JFP2: Front Panel Connectors

These connectors connect to the switches and LEDs on the front panel.



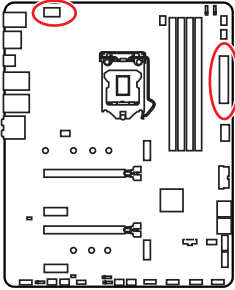
JAUD1: Front Audio Connector

This connector allows you to connect audio jacks on the front panel.



CPU_PWR1, ATX_PWR1: Power Connectors

These connectors allow you to connect an ATX power supply.



1	Ground	5	+12V
2	Ground	6	+12V
3	Ground	7	+12V
4	Ground	8	+12V

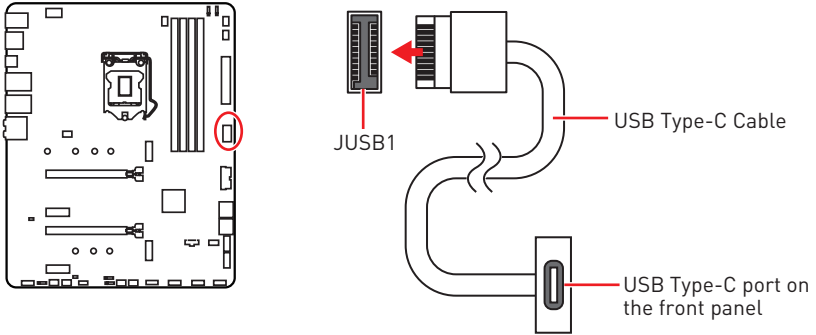
1	+3.3V	13	+3.3V
2	+3.3V	14	-12V
3	Ground	15	Ground
4	+5V	16	PS-ON#
5	Ground	17	Ground
6	+5V	18	Ground
7	Ground	19	Ground
8	PWR OK	20	Res
9	5VSB	21	+5V
10	+12V	22	+5V
11	+12V	23	+5V
12	+3.3V	24	Ground

Important

Make sure that all the power cables are securely connected to a proper ATX power supply to ensure stable operation of the motherboard.

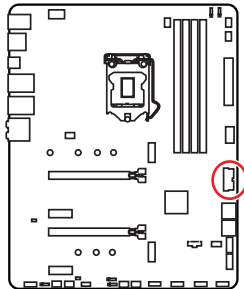
JUSB1: USB 3.2 Gen 1 5Gbps Type-C Connector

This connector allows you to connect USB 3.2 Gen 1 5Gbps Type-C connector on the front panel. The connector possesses a foolproof design. When you connect the cable, be sure to connect it with the corresponding orientation.



JUSB2: USB 3.2 Gen 1 5Gbps Connector

This connector allows you to connect USB 3.2 Gen 1 5Gbps ports on the front panel.



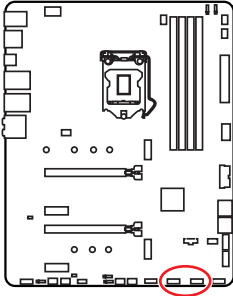
1	Power	11	USB2.0+
2	USB3_RX_DN	12	USB2.0-
3	USB3_RX_DP	13	Ground
4	Ground	14	USB3_TX_C_DP
5	USB3_TX_C_DN	15	USB3_TX_C_DN
6	USB3_TX_C_DP	16	Ground
7	Ground	17	USB3_RX_DP
8	USB2.0-	18	USB3_RX_DN
9	USB2.0+	19	Power
10	Ground	20	No Pin

Important

Note that the Power and Ground pins must be connected correctly to avoid possible damage.

JUSB3~4: USB 2.0 Connectors

These connectors allow you to connect USB 2.0 ports on the front panel.



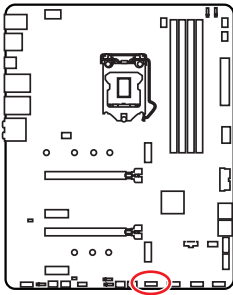
1	VCC	2	VCC
3	USB0-	4	USB1-
5	USB0+	6	USB1+
7	Ground	8	Ground
9	No Pin	10	NC

Important

- Note that the VCC and Ground pins must be connected correctly to avoid possible damage.
- In order to recharge your iPad, iPhone and iPod through USB ports, please install MSI® DRAGON CENTER utility.

JTPM1: TPM Module Connector

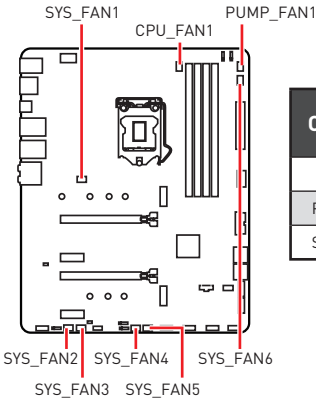
This connector is for TPM (Trusted Platform Module). Please refer to the TPM security platform manual for more details and usages.



1	SPI Power	2	SPI Chip Select
3	Master In Slave Out (SPI Data)	4	Master In Slave In (SPI Data)
5	Reserved	6	SPI Clock
7	Ground	8	SPI Reset
9	Reserved	10	No Pin
11	Reserved	12	Interrupt Request

CPU_FAN1, PUMP_FAN1, SYS_FAN1~6: Fan Connectors

Fan connectors can be classified as PWM (Pulse Width Modulation) Mode or DC Mode. PWM Mode fan connectors provide constant 12V output and adjust fan speed with speed control signal. DC Mode fan connectors control fan speed by changing voltage. You can follow the instruction below to adjust the fan connector to PWM or DC Mode manually.



Connector	Default fan mode	Max. current	Max. power
CPU_FAN1	PWM mode	2A	24W
PUMP_FAN1	PWM mode	3A	36W
SYS_FAN1~6	DC mode	2A	24W

Switching fan mode and adjusting fan speed

You can switch between PWM mode and DC mode and adjust fan speed in **BIOS > HARDWARE MONITOR**.

Select **PWM** mode or **DC** mode





There are gradient points of the fan speed that allow you to adjust fan speed in relation to CPU temperature.

Important

Make sure fans are working properly after switching the PWM/ DC mode.

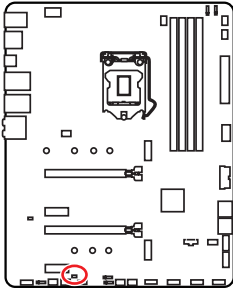
Pin definition of fan connectors

 PWM Mode pin definition			
1	Ground	2	+12V
3	Sense	4	Speed Control Signal

 DC Mode pin definition			
1	Ground	2	Voltage Control
3	Sense	4	NC

JCI1: Chassis Intrusion Connector

This connector allows you to connect the chassis intrusion switch cable.



Normal
(default)



Trigger the chassis
intrusion event

Using chassis intrusion detector

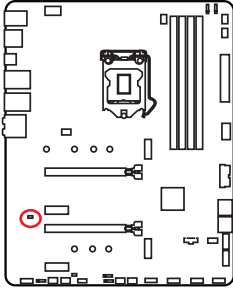
1. Connect the **JCI1** connector to the chassis intrusion switch/ sensor on the chassis.
2. Close the chassis cover.
3. Go to **BIOS > SETTINGS > Security > Chassis Intrusion Configuration**.
4. Set **Chassis Intrusion** to **Enabled**.
5. Press **F10** to save and exit and then press the **Enter** key to select **Yes**.
6. Once the chassis cover is opened again, a warning message will be displayed on screen when the computer is turned on.

Resetting the chassis intrusion warning

1. Go to **BIOS > SETTINGS > Security > Chassis Intrusion Configuration**.
2. Set **Chassis Intrusion** to **Reset**.
3. Press **F10** to save and exit and then press the **Enter** key to select **Yes**.

JBAT1: Clear CMOS (Reset BIOS) Jumper

There is CMOS memory onboard that is external powered from a battery located on the motherboard to save system configuration data. If you want to clear the system configuration, set the jumpers to clear the CMOS memory.



Keep Data
(default)



Clear CMOS/
Reset BIOS

Resetting BIOS to default values

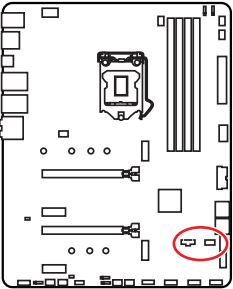
1. Power off the computer and unplug the power cord.
2. Use a jumper cap to short **JBAT1** for about **5-10** seconds.
3. Remove the jumper cap from **JBAT1**.
4. Plug the power cord and Power on the computer.

JTBT1: Thunderbolt Add-on Card Connector

This connector allows you to connect the add-on Thunderbolt I/O card.

JRTD3: Intel RTD3 Connector

This connector allows you to connect the RTD3 connector on the add-on Thunderbolt I/O card that supports RTD3.

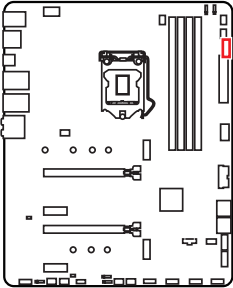


1 JTBT1			
1	FORCE_PWR	2	SCI_EVENT
3	SLP_S3#	4	SLP_S5#
5	Ground		

1 JRTD3			
1	WAKE	2	PWR EN
3	GND		

EZ Debug LED

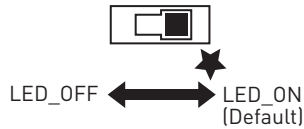
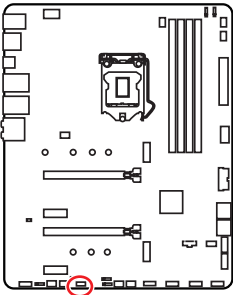
These LEDs indicate the debug status of the motherboard.



- CPU** - indicates CPU is not detected or fail.
- DRAM** - indicates DRAM is not detected or fail.
- VGA** - indicates GPU is not detected or fail.
- BOOT** - indicates the booting device is not detected or fail.

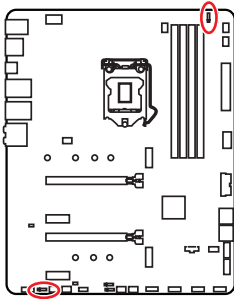
LED_SW1: EZ LED Control

This switch is used to switch on/ off all the LEDs of motherboard.



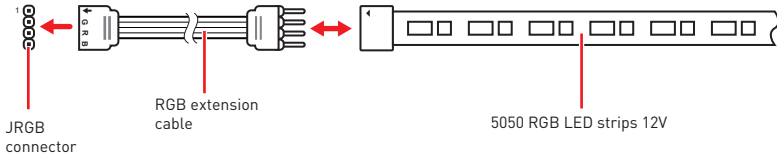
JRGB1~2: RGB LED connector

The JRGB connectors allow you to connect the 5050 RGB LED strips 12V.

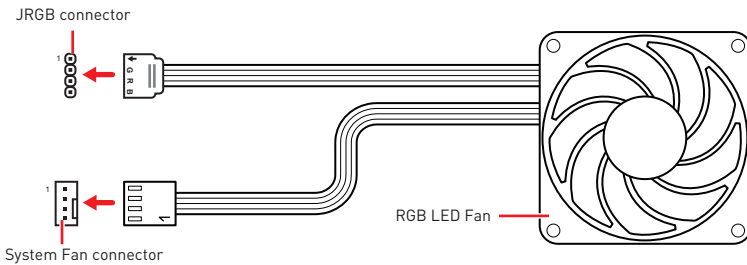


JRGB1		JRGB2	
1	+12V	2	G
3	R	4	B

RGB LED Strip Connection



RGB LED Fan Connection

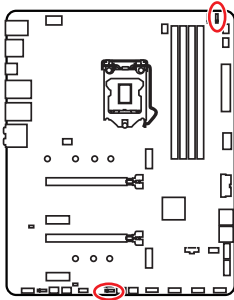


Important

- The JRGB connector supports up to 2 meters continuous 5050 RGB LED strips (12V/G/R/B) with the maximum power rating of 3A (12V).
- Always turn off the power supply and unplug the power cord from the power outlet before installing or removing the RGB LED strip.
- Please use MSI's software to control the extended LED strip.

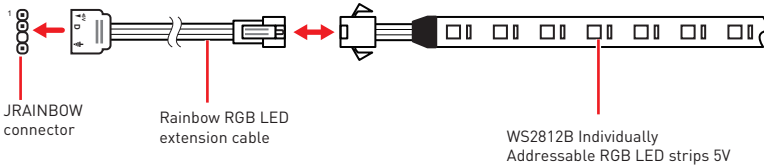
JRAINBOW1~2: Addressable RGB LED connectors

The JRAINBOW connectors allow you to connect the WS2812B Individually Addressable RGB LED strips 5V.

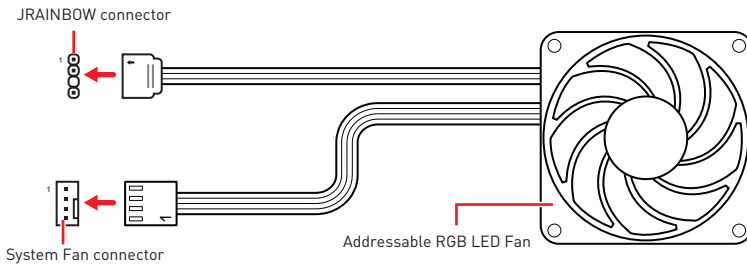


JRAINBOW1		JRAINBOW2	
1	+5V	2	Data
3	No Pin	4	Ground

Addressable RGB LED Strip Connection



Addressable RGB LED Fan Connection



CAUTION

Do not connect the wrong type of LED strips. The JRGB connector and the JRAINBOW connector provide different voltages, and connecting the 5V LED strip to the JRGB connector will result in damage to the LED strip.

Important

- The JRAINBOW connector supports up to 75 LEDs WS2812B Individually Addressable RGB LED strips (5V/Data/Ground) with the maximum power rating of 3A (5V). In the case of 20% brightness, the connector supports up to 200 LEDs.
- Always turn off the power supply and unplug the power cord from the power outlet before installing or removing the RGB LED strip.
- Please use MSI's software to control the extended LED strip.

Installing OS, Drivers & Utilities

Please download and update the latest utilities and drivers at www.msi.com

Installing Windows® 10

1. Power on the computer.
2. Insert the Windows® 10 installation disc/USB into your computer.
3. Press the **Restart** button on the computer case.
4. Press **F11** key during the computer POST (Power-On Self Test) to get into Boot Menu.
5. Select the Windows® 10 installation disc/USB from the Boot Menu.
6. Press any key when screen shows **Press any key to boot from CD or DVD...** message.
7. Follow the instructions on the screen to install Windows® 10.

Installing Drivers

1. Start up your computer in Windows® 10.
2. Insert MSI® Drive Disc into your optical drive.
3. Click the **Select to choose what happens with this disc** pop-up notification, then select **Run DVDSetup.exe** to open the installer. If you turn off the AutoPlay feature from the Windows Control Panel, you can still manually execute the **DVDSetup.exe** from the root path of the MSI Drive Disc.
4. The installer will find and list all necessary drivers in the **Drivers/Software** tab.
5. Click the **Install** button in the lower-right corner of the window.
6. The drivers installation will then be in progress, after it has finished it will prompt you to restart.
7. Click **OK** button to finish.
8. Restart your computer.

Installing Utilities

Before you install utilities, you must complete drivers installation.

1. Open the installer as described above.
2. Click the **Utilities** tab.
3. Select the utilities you want to install.
4. Click the **Install** button in the lower-right corner of the window.
5. The utilities installation will then be in progress, after it has finished it will prompt you to restart.
6. Click **OK** button to finish.
7. Restart your computer.

UEFI BIOS

MSI UEFI BIOS is compatible with UEFI (Unified Extensible Firmware Interface) architecture. UEFI has many new functions and advantages that traditional BIOS cannot achieve, and it will completely replace BIOS in the future. The MSI UEFI BIOS uses UEFI as the default boot mode to take full advantage of the new chipset's capabilities. However, it still has a CSM (Compatibility Support Module) mode to be compatible with older devices. That allows you to replace legacy devices with UEFI compatible devices during the transition.



Important

The term BIOS in this user guide refers to UEFI BIOS unless otherwise noted.

UEFI advantages

- Fast booting - UEFI can directly boot the operating system and save the BIOS self-test process. And also eliminates the time to switch to CSM mode during POST.
- Supports for hard drive partitions larger than 2 TB.
- Supports more than 4 primary partitions with a GUID Partition Table (GPT).
- Supports unlimited number of partitions.
- Supports full capabilities of new devices - new devices may not provide backward compatibility.
- Supports secure startup - UEFI can check the validity of the operating system to ensure that no malware tampers with the startup process.

Incompatible UEFI cases

- **32-bit Windows operating system** - this motherboard supports only Windows 10 64-bit operating system.
- **Older graphics card** - the system will detect your graphics card. When display a warning message **There is no GOP (Graphics Output protocol) support detected in this graphics card.**

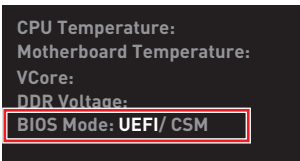


Important

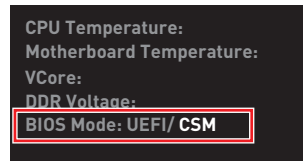
We recommend that you to use a GOP/UEFI compatible graphics card.

How to check the BIOS mode?

After entering the BIOS, find the BIOS Mode at the top of the screen.



UEFI boot mode



CSM boot mode

BIOS Setup

The default settings offer the optimal performance for system stability in normal conditions. You should **always keep the default settings** to avoid possible system damage or failure booting unless you are familiar with BIOS.



Important

- *BIOS items are continuously update for better system performance. Therefore, the description may be slightly different from the latest BIOS and should be for reference only. You could also refer to the **HELP** information panel for BIOS item description.*
- *The pictures in this chapter are for reference only and may vary from the product you purchased.*
- *The BIOS items will vary with the processor.*

Entering BIOS Setup

Press **Delete** key, when the **Press DEL key to enter Setup Menu, F11 to enter Boot Menu** message appears on the screen during the boot process.

Function key

- F1:** General Help list
- F2:** Add/ Remove a favorite item
- F3:** Enter Favorites menu
- F4:** Enter CPU Specifications menu
- F5:** Enter Memory-Z menu
- F6:** Load optimized defaults
- F7:** Switch between Advanced mode and EZ mode
- F8:** Load Overclocking Profile
- F9:** Save Overclocking Profile
- F10:** Save Change and Reset*
- F12:** Take a screenshot and save it to USB flash drive (FAT/ FAT32 format only).
- Ctrl+F:** Enter Search page

* When you press F10, a confirmation window appears and it provides the modification information. Select between Yes or No to confirm your choice.

Resetting BIOS

You might need to restore the default BIOS setting to solve certain problems. There are several ways to reset BIOS:

- Go to BIOS and press **F6** to load optimized defaults.
- Short the **Clear CMOS** jumper on the motherboard.



Important

Be sure the computer is off before clearing CMOS data. Please refer to the **Clear CMOS** jumper section for resetting BIOS.

Updating BIOS

Updating BIOS with M-FLASH

Before updating:

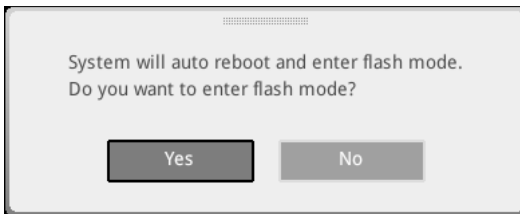
Please download the latest BIOS file that matches your motherboard model from MSI website. And then save the BIOS file into the USB flash drive.

Updating BIOS:

1. Insert the USB flash drive that contains the update file into the USB port.
2. Please refer the following methods to enter flash mode.
 - Reboot and press **Ctrl + F5** key during POST and click on **Yes** to reboot the system.

Press <Ctrl+F5> to activate M-Flash for BIOS update.

- Reboot and press **Del** key during POST to enter BIOS. Click the **M-FLASH** button and click on **Yes** to reboot the system.



3. Select a BIOS file to perform the BIOS update process.
4. When prompted click on Yes to start recovering BIOS.
5. After the flashing process is 100% completed, the system will reboot automatically.

Updating the BIOS with MSI DRAGON CENTER

Before updating:

Make sure the LAN driver is already installed and the internet connection is set properly.

Updating BIOS:

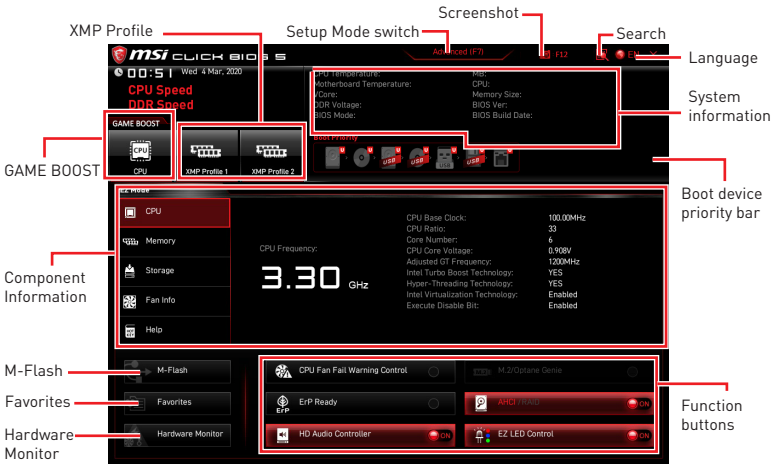
1. Install and launch MSI DRAGON CENTER and go to **Support** page.
2. Select **Live Update** and click on Advance button.



3. Click on **Scan** button to search the latest BIOS file.
4. Select the BIOS file and click on **Download** icon to download and install the latest BIOS file.
5. Click **Next** and choose **In Windows mode**. And then click **Next** and **Start** to start updating BIOS.
6. After the flashing process is 100% completed, the system will restart automatically.

EZ Mode

At EZ mode, it provides the basic system information and allows you to configure the basic setting. To configure the advanced BIOS settings, please enter the Advanced Mode by pressing the **Setup Mode switch** or **F7** function key.



- **GAME BOOST** - click on it to toggle the GAME BOOST for overclocking. This function is only available when both of the motherboard and CPU are supporting this function.



Important

Please don't make any changes in OC menu and don't load defaults to keep the optimal performance and system stability after activating the **GAME BOOST** function.

- **XMP Profile** - allows you to select the XMP profile for memory to overclock. This function is only available when the system, memory and CPU are supporting this function.
- **Setup Mode switch** - press this tab or the **F7** key to switch between Advanced mode and EZ mode.
- **Screenshot** - click on this tab or the **F12** key to take a screenshot and save it to USB flash drive (FAT/ FAT32 format only).
- **Search** - click on this tab or the **Ctrl+F** keys to enter the search page. It allows you to search by BIOS item name. Move the mouse over a blank space and right click the mouse to exit the search page.



Important

In search page, only the **F6**, **F10** and **F12** function keys are available.

- **Language** - allows you to select language of BIOS setup.
- **System information** - shows the CPU/ DDR speed, CPU/ MB temperature, MB/ CPU type, memory size, CPU/ DDR voltage, BIOS version and build date.
- **Boot device priority bar** - you can move the device icons to change the boot priority. The boot priority from high to low is left to right.
- **Component Information** - click on the **CPU, Memory, Storage, Fan Info** and **Help** buttons to show the information of connected component.
- **Function buttons** - enable or disable these functions by clicking on these buttons. The function is enabled when the button shows **ON** .

Important

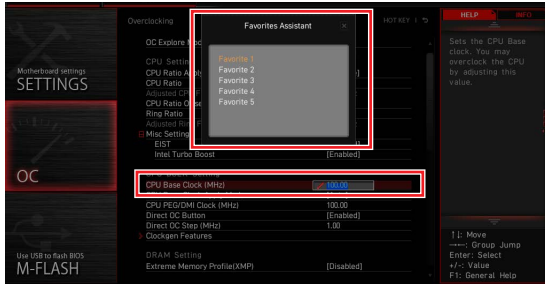
The function buttons will vary with the motherboard you purchased.

- **M-Flash** - click on this button to enter the **M-Flash** menu that provides the way to update BIOS with a USB flash drive.
- **Hardware Monitor** - click on this button to enter the **Hardware Monitor** menu that allows you to manually control the fan speed by percentage.
- **Favorites** - click on this button or press the **F3** key to show the **Favorites** window. It provides 5 menus for you to create personal BIOS menu where you can save and access favorite/ frequently-used BIOS setting items.



▪ **To add a BIOS item to a favorite menu**

1. Select a BIOS item not only on BIOS menu but also on search page.
2. Right-click or press **F2** key.
3. Choose a favorite page and click on **OK**.



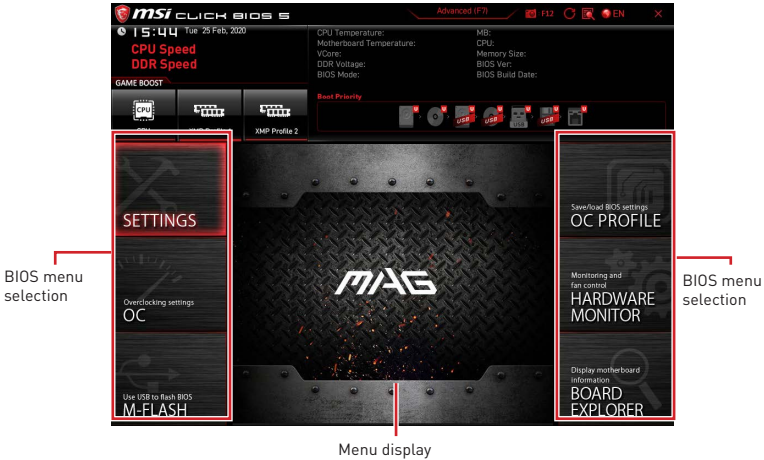
▪ **To delete a BIOS item from favorite menu**

1. Select a BIOS item on favorite menu.
2. Right-click or press **F2** key.
3. Choose **Delete** and click on **OK**.



Advanced Mode

Press **Setup Mode switch** or **F7** function key can switch between EZ Mode and Advanced Mode in BIOS setup.



- **BIOS menu selection** - the following options are available:
 - **SETTINGS** - allows you to specify the parameters for chipset and boot devices.
 - **OC** - allows you to adjust the frequency and voltage. Increasing the frequency may get better performance.
 - **M-FLASH** - provides the way to update BIOS with a USB flash drive.
 - **OC PROFILE** - allows you to manage overlocking profiles.
 - **HARDWARE MONITOR** - allows you to set the speeds of fans and monitor voltages of system.
 - **BOARD EXPLORER** - provides the information of installed devices on this motherboard.
- **Menu display** - provides BIOS setting items and information to be configured.

OC Menu

This menu allows you to configure the frequencies and voltages for overclocking. Please note that, higher frequency and voltage may benefit overclocking capability but cause system un-stability.



Important

- *Overclocking your PC manually is only recommended for advanced users.*
- *Overclocking is not guaranteed, and if done improperly, it could void your warranty or severely damage your hardware.*
- *If you are unfamiliar with overclocking, we advise you to use **GAME BOOST** function for easy overclocking.*
- *The BIOS items in OC menu will vary with the processor.*

► **OC Explore Mode [Normal]**

Enables or disables to show the normal or expert version of OC settings.

[Normal] Provides the regular OC settings in BIOS setup.

[Expert] Provides the advanced OC settings for OC expert to configure in BIOS setup.

Note: We use * as the symbol for the OC settings of Expert mode.

► **CPU Ratio Apply Mode [All Core]***

Sets applied mode for CPU ratio. This item only appears when a CPU that supports **Turbo Boost** is installed.

► **CPU Ratio [Auto]**

Sets the CPU ratio that is used to determine CPU clock speed. This item only appears when **CPU Ratio Apply Mode** set to **All Core**.

► **Adjusted CPU Frequency**

Shows the adjusted CPU frequency. Read-only.

► **Advanced CPU Configuration**

Press **Enter** to enter the sub-menu. User can set the parameters about CPU power/ current. The system may become unstable or unbootable after changing the parameters. If it occurs, please clear the CMOS data and restore the default settings.

► **CPU Ratio Offset When Running AVX [Auto]**

Sets a offset value to lower the CPU core ratio. It could be helpful for heat dissipation when running AVX instructions. When set to Auto, BIOS will configure this setting automatically. This item appears when the installed CPU supports this function.

► **Ring Ratio [Auto]**

Sets the ring ratio. The valid value range depends on the installed CPU.

► **Adjusted Ring Frequency**

Shows the adjusted Ring frequency. Read-only.

▶ **GT Ratio [Auto]**

Sets the integrated graphics ratio. The valid value range depends on the installed CPU.

▶ **Adjusted GT Frequency**

Shows the adjusted integrated graphics frequency. Read-only.

▶ **Extreme Memory Profile (XMP) [Disabled]**

XMP (Extreme Memory Profile) is the overclocking technology by memory module. Please enable XMP or select a profile of memory module for overclocking the memory. This item will be available when the memory modules that support **XMP** is installed.

▶ **Memory Try It ! [Disabled]**

It can improve memory compatibility or performance by choosing optimized memory preset.

▶ **DRAM Timing Mode [Link]**

Selects the memory timing mode.

[Link] Allows user to configure the DRAM timing for all memory channel.

[UnLink] Allows user to configure the DRAM timing for respective memory channel.

▶ **Advanced DRAM Configuration**

Press **Enter** to enter the sub-menu. User can set the memory timing for each/ all memory channel. The system may become unstable or unbootable after changing memory timing. If it occurs, please clear the CMOS data and restore the default settings. (Refer to the Clear CMOS jumper/ button section to clear the CMOS data, and enter the BIOS to load the default settings.)

▶ **Memory Fast Boot [Auto] ***

Enables or disables the initiation and training for memory every booting.

[Auto] The setting will be configured automatically by BIOS.

[Enabled] System will completely keep the archives of first initiation and training for memory. And then the memory will not be initiated and trained when booting to accelerate the system booting time.

[Disabled] The memory will be initiated and trained every booting.

[Training] The memory will be trained every booting.

▶ **DigitALL Power sub-menu**

Press **Enter** to enter the sub-menu. In the sub-menu, you can setup some protecting conditions about voltage/ current/ temperature for CPU.

▶ **CPU Core Voltage Monitor [VCC Sense]**

Selects the monitor source of CPU Core voltage.

▶ **CPU Voltages control [Auto]**

These options allow you to set the voltages related to CPU. If set to **Auto**, BIOS will set these voltages automatically or you can set it manually.

► DRAM Voltages control [Auto]

These options allow you to set the voltages related to memory. If set to **Auto**, BIOS will set these voltages automatically or you can set it manually.

► CPU Memory Changed Detect [Enabled]*

Enables or disables the system to issue a warning message during boot when the CPU or memory has been replaced.

[Enabled] The system will issue a warning message during boot and then you have to load the default settings for new devices.

[Disabled] Disables this function and keeps the current BIOS settings.

► CPU Specifications sub-menu

Press **Enter** to enter the sub-menu. This sub-menu displays the information of installed CPU. You can also access this information menu at any time by pressing [F4]. Read only.

► MEMORY-Z sub-menu

Press **Enter** to enter the sub-menu. This sub-menu displays all the settings and timings of installed memory. You can also access this information menu at any time by pressing [F5].

► CPU Features sub-menu

Press **Enter** to enter the sub-menu. You can enable or disable the CPU features and technologies to protect CPU and improve the system performance.

目次

安全に関する注意事項.....	3
仕様.....	4
パッケージの内容.....	9
リアI/Oパネル.....	10
LANポートLED状態表.....	10
オーディオポートの配置.....	10
Realtekオーディオコンソール.....	11
コンポーネントの概要.....	13
CPU ソケット.....	14
DIMM スロット.....	15
PCI_E1~4: PCIe 拡張スロット.....	16
SATA1~6: SATA 6Gb/s コネクタ.....	16
M2_1~2: M.2 スロット (Key M).....	17
JFP1、JFP2: フロントパネルコネクタ.....	19
JAUD1: フロントオーディオコネクタ.....	19
CPU_PWR1, ATX_PWR1: 電源コネクタ.....	20
JUSB1: USB 3.2 Gen 1 5Gbps Type-C コネクタ.....	21
JUSB2: USB 3.2 Gen 1 5Gbps コネクタ.....	21
JUSB3~4: USB 2.0 コネクタ.....	22
JTPM1: TPMモジュールコネクタ.....	22
CPU_FAN1, PUMP_FAN1, SYS_FAN1~6: ファンコネクタ.....	23
JCI1: ケース開放スイッチコネクタ.....	24
JBAT1: クリアCMOS (BIOSリセット) ジャンパ.....	25
JTBT1: Thunderbolt追加カードコネクタ.....	25
JRTD3: Intel RTD3コネクタ.....	25
EZ Debug LED.....	26
LED_SW1: EZ LEDコントロール.....	26
JRGB1~2: RGB LED コネクタ.....	27
JRAINBOW1~2: 追加のRGB LEDコネクタ.....	28
OS、ドライバーおよびユーティリティのインストール.....	29
Windows® 10のインストール.....	29
ドライバーのインストール.....	29
ユーティリティのインストール.....	29

UEFI BIOS	30
BIOSの設定	31
BIOSセットアップ画面の起動.....	31
BIOSのリセット	32
BIOSのアップデート方法.....	32
EZモード	34
アドバンスモード	37
OCメニュー	38

安全に関する注意事項

- 本パッケージ内のコンポーネントは静電放電(ESD)を受けやすいので、PCの組み立てを確実に成功させるために以下の注意事項を守ってください。
- コンポーネントがしっかりと全部接続され手いることを確認してください。確実に接続されていない場合、コンポーネントの認識不良や起動不良の原因となります。
- 繊細な部品に触れないよう、マザーボードのフチを持ってください。
- マザーボードを扱う際には、静電気破壊を防ぐために、静電放電 (ESD) リストストラップを着けることをお勧めします。ESD リストストラップが用意できない場合は、他の金属製のものに触れて静電気を逃してからマザーボードを扱ってください。
- 本品を取り付けない時は、静電気対策が施された箱か、または静電気防止パッド上で保管してください。
- コンピューターの電源を投入する前に、マザーボードのショートの原因となる、外れたネジや金属製の部品がマザーボード上またはPCケース内にはいか、よく確認して下さい。
- コンポーネントの破損やユーザーの怪我の原因となるおそれがあるため、組み立てが完了する前にPCを起動させないでください。
- PCの組立について不明な点がある場合は、販売店やメーカーのサポート窓口にご相談してください。
- PCパーツの取り付けおよび取り外しを行う前には、必ずPCの電源をオフに、コンセントから電源コードを抜いてください。
- 本ユーザーズガイドは大切に保存してください。
- 本マザーボードは湿気の少ない所で使用・保管してください。
- 電源ユニットをコンセントに接続する前に、電源ユニットに記載された電圧がコンセントの電圧に適合しているか確認してください。
- 電源コードは踏まれないように配線してください。電源コードの上に物を置かないでください。
- マザーボードに関するすべての注意と警告を遵守してください。
- 次のような場合は、販売店や代理店のサポート窓口にもマザーボードの点検を依頼してください。
 - PCに水をこぼした場合。
 - マザーボードが高い湿気にさらされた場合。
 - ユーザーズマニュアルに従って操作しても、マザーボードが正常に作動しない、または起動しない場合。
 - マザーボードが落ちて破損した場合。
 - マザーボードに目に見える破損がある場合。
- 本品を温度が600C (1400F)より高い場所に置かないでください。マザーボードが破損することがあります。

仕様

CPU	LGA 1200ソケット対応 第10世代Intel® Core™とPentium® Gold / Celeron®プロセッサをサポート* * その他の互換性の情報については www.intel.com からご参照ください。 * F SKUプロセッサを使用する場合、オンボードグラフィックス出力は無効になります。
チップセット	Intel® B460 チップセット
メモリ	<ul style="list-style-type: none">• DDR4メモリスロット4本搭載、最大128GB搭載可能*• Intel® Core™ i7/ i9<ul style="list-style-type: none">▪ 最大DDR4 2933 MHzをサポート• Intel® Core™ i5 以下<ul style="list-style-type: none">▪ 最大DDR4 2666 MHzをサポート• デュアルチャンネルモードをサポート• non-ECC、un-bufferedメモリをサポート• Intel® Extreme Memory Profile (XMP)をサポート * 互換性があるのメモリについての詳細は www.msi.com からご参照ください。
拡張スロット	<ul style="list-style-type: none">• PCIe 3.0 x16 スロット x1(CPU、PCI_E1帯域接続)、x16 モードをサポート• PCIe 3.0 x16 スロット x1(PCH、PCI_E3帯域接続)、x4 モードをサポート*• PCIe 3.0 x1 スロット x2 (PCH帯域接続) * M.2 SSDをM2_2スロットに取り付ける場合に、PCI_E3は無効になります。
オンボードグラフィックス	<ul style="list-style-type: none">• HDMIポート x1、最大解像度 4096x2160 @30Hzをサポート• DisplayPort x1、最大解像度 4096x2304 @60Hzをサポート
オーディオ	<ul style="list-style-type: none">• Realtek® ALC1200 コーデック<ul style="list-style-type: none">▪ 7.1チャンネルHDオーディオ▪ S/PDIF出力をサポート
LAN	<ul style="list-style-type: none">• Realtek® RTL8125B 2.5Gbps LAN コントローラー x1• Intel® I219V 1Gbps LAN コントローラー x1

次のページから続く

前のページから続く

ストレージ	<p>Intel® B460 チップセット</p> <ul style="list-style-type: none">• SATA 6Gb/sポート x6*• M.2スロット x2(Key M)<ul style="list-style-type: none">▪ M2_1はPCIe 3.0 x4とSATA 6Gb/s・2242/ 2260/ 2280/ 22110ストレージデバイスをサポート*▪ M2_2はPCIe 3.0 x4と2242/ 2260/ 2280ストレージデバイスをサポート**▪ Intel® Optane™ メモリレディー***▪ Intel Core™プロセッサにて、インテルスマートレスポンステクノロジー[Intel® Smart Response Technology]をサポート <p>* M.2 SATA SSDをM2_1スロットに取り付ける場合に、SATA1は無効になります。 ** M.2 SSDをM2_2スロットに取り付ける場合に、PCI_E3は無効になります。 *** Intel® Optane™メモリモジュールを使用する前に、MSIウェブサイトから最新版のドライバーとBIOSをダウンロードすることを確認してください。</p>
RAID	<ul style="list-style-type: none">• Intel® B460 チップセット<ul style="list-style-type: none">▪ SATAストレージデバイスにて、RAID 0、RAID 1、RAID 5およびRAID 10をサポート
USB	<ul style="list-style-type: none">• Intel® B460 チップセット<ul style="list-style-type: none">▪ USB 3.2 Gen 1 5Gbps ポート x6 (バックパネルに4 Type-Aポート、内部USB 3.2 Gen 1コネクタ経由で2 ポート利用可能)▪ USB 3.2 Gen 1 5Gbps ポート x1 (1 Type-C 内部コネクタ)▪ USB 2.0 ポート x6 (バックパネルに2 Type-Aポート、内部USB 2.0コネクタ経由で4 ポート利用可能)• ASMedia® 3241 チップセット<ul style="list-style-type: none">▪ バックパネルに1 USB 3.2 Gen 2x2 20Gbps Type-Cポート利用可能


次のページから続く

前のページから続く

バックパネルコネクタ	<ul style="list-style-type: none">• PS/2 キーボード/マウスコンボポート x1• USB 2.0 Type-A ポート x2• Display ポート x1• HDMI ポート x1• USB 3.2 Gen 2x2 20Gbps Type-C ポート x1• LAN (RJ45) ポート x2• USB 3.2 Gen 1 5Gbps Type-A ポート x4• オーディオジャック x5• 光角型S/PDIF出力コネクタ x1
内部コネクタ	<ul style="list-style-type: none">• 24ピンATXメイン電源コネクタ x1• 8ピンATX 12V電源コネクタ x1• SATA 6Gb/sコネクタ x6• M.2 スロット x2 (M-Key)• USB 3.2 Gen 1 5Gbps Type-C ポート x1• USB 3.2 Gen 1 5Gbps コネクタ x1 (2基の追加USB 3.2 Gen 1 5Gbpsポートをサポート)• USB 2.0 コネクタ x2 (4基の追加USB 2.0ポートをサポート)• 4ピンCPUファンコネクタ x1• 4ピンウォーターポンプファンコネクタ x1• 4ピンシステムファンコネクタ x6• フロントパネルオーディオコネクタ x1• システムパネルコネクタ x2• ケース開放スイッチコネクタ x1• 4ピンRGB LEDコネクタ x2• 3ピンRAINBOW LEDコネクタ x2• TPMモジュールコネクタ x1• クリアCMOSジャンパ x1• TBTコネクタ x1*• RTD3コネクタ x1 <p>* ThunderboltカードはRTD 3をサポートする必要があります。</p>
LEDの機能	<ul style="list-style-type: none">• EZ LED コントロールスイッチ x1• EZ Debug LED x4

次のページから続く

前のページから続く

I/Oコントローラー	NUVOTON NCT6687 コントローラーチップ
ハードウェアモニター	<ul style="list-style-type: none">• CPU/システム温度の検知• CPU/システムファン回転速度の検知• CPU/システムファン回転速度のコントロール
寸法	<ul style="list-style-type: none">• ATXフォームファクタ• 12 in. x 9.6 in. (30.5 cm x 24.4 cm)
BIOSの機能	<ul style="list-style-type: none">• 128 Mbフラッシュ x1• UEFI AMI BIOS• ACPI 6.2, SMBIOS 3.2• 多言語対応
ソフトウェア	<ul style="list-style-type: none">• デバイスドライバー• DRAGON CENTER• MSI APP Player (BlueStacks)• Open Broadcaster Software (OBS)• CPU-Z MSI GAMING• Intel® Extreme Tuning Utility• Google Chrome™, Google Toolbar, Google Drive• Norton™ Internet Security Solution
ドラゴンセンター機能	<ul style="list-style-type: none">• Gaming Mode• Gaming Hotkey• LAN Manager• Mystic Light• User Scenario• Hardware Monitor• True Color• Live Update• DPC Latency Tuner• Speed Up• Smart Tool• Super Charger <div data-bbox="654 1082 785 1209"></div> <p data-bbox="654 1230 916 1289">詳細についてはhttp://download.msi.com/manual/mb/DRAGONCENTER2.pdfからご参照ください。</p>

次のページから続く

前のページから続く

MSI独自の機能

- オーディオ
 - Audio Boost
- ネットワーク
 - 2.5G LAN
 - LAN マネージャー
- 冷却
 - M.2 Shield Frozr
 - ポンプファン
 - ファンコントロール
- LED
 - Mystic Light
 - Mystic Light 拡張 (RAINBOW/RGB)
 - Mystic Light SYNC
 - EZ LED コントロール
 - EZ DEBUG LED
- パフォーマンス
 - DDR4 Boost
 - Core Boost
 - Lightning USB 20G
 - フロントUSB type-C
- 保護
 - PCI-E Steel Armor
 - プレーインストールのI/Oシールド
- 体験
 - Dragon Center
 - Click BIOS 5

パッケージの内容

パッケージにすべての添付品が含まれていることをご確認ください。

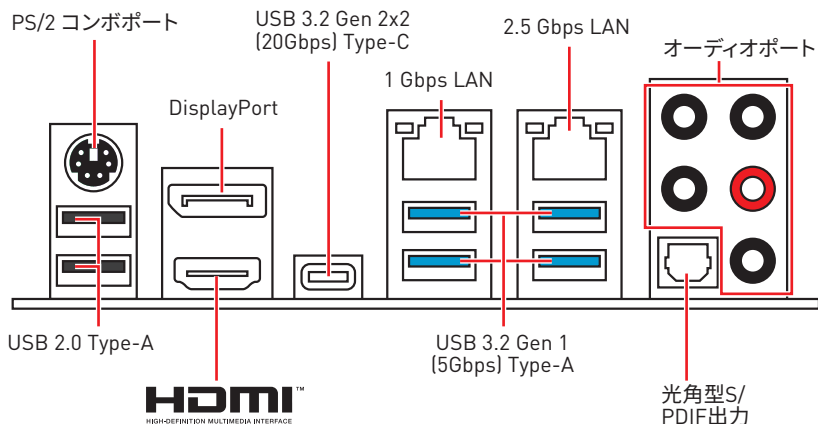
マザーボード本体	MAG B460 TOMAHAWK	
ケーブル	SATA 6Gケーブル[2 ケーブル/パック]	1
付属品	M.2ねじ[3 pcs./パック]	1
	ケースのバッジ	1
	製品登録カード	1
アプリケーション	ドライバーDVD	1
ドキュメンテーション	ユーザーズマニュアル	1
	クイック取り付けガイド	1



注意

欠品または破損がある場合は、直ちにご購入された販売店へ連絡して下さい。

リアI/Oパネル



LANポートLED状態表

リンク/ アクティビティLED		スピードLED												
状態	解説													
Off	リンクしていません	<table border="1"> <thead> <tr> <th>状態</th> <th>1 Gbps LAN</th> <th>2.5 Gbps LAN</th> </tr> </thead> <tbody> <tr> <td>Off</td> <td>10 Mbps</td> <td>10 Mbps</td> </tr> <tr> <td>緑色</td> <td>100 Mbps/ 1 Gbps</td> <td>100 Mbps/ 1 Gbps</td> </tr> <tr> <td>オレンジ</td> <td>利用不可</td> <td>2.5 Gbps</td> </tr> </tbody> </table>	状態	1 Gbps LAN	2.5 Gbps LAN	Off	10 Mbps	10 Mbps	緑色	100 Mbps/ 1 Gbps	100 Mbps/ 1 Gbps	オレンジ	利用不可	2.5 Gbps
状態	1 Gbps LAN		2.5 Gbps LAN											
Off	10 Mbps		10 Mbps											
緑色	100 Mbps/ 1 Gbps		100 Mbps/ 1 Gbps											
オレンジ	利用不可	2.5 Gbps												
黄色	リンクしています													
点滅	データ通信中です													

オーディオポートの配置

オーディオポート	チャンネル			
	2	4	6	8
センター/ サブウーファー出力			●	●
リアスピーカー出力		●	●	●
ライン入力/ サイドスピーカー出力				●
ライン出力/ フロントスピーカー出力	●	●	●	●
マイク入力				

(●: 接続、空白: 非接続)

Realtekオーディオコンソール

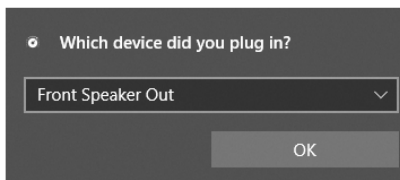
Realtekオーディオコンソールをインストールした後、優れた音声体験のために音声設定を変更します。



- **デバイス選択** - オーディオ出力ソースを選択し、関連のオプションを変更することができます。チェックサインはそのデバイスがデフォルトであることを示します。
- **アプリケーション拡張** - 多数のオプションは、出力デバイスと入力デバイスの両方に期待されるサウンドエフェクトの完全なガイダンスを提供します。
- **メインボリューム** - バーを調整することでフロントまたはリアパネルに接続されたスピーカーの左右のバランスやボリュームをコントロールします。
- **ジャック状態** - PCに現在接続されている全てのレンダーとキャプチャーデバイスを示します。
- **接続設定** - 接続設定を行います。

オートポップアップダイアログ

オーディオジャックにデバイスが挿し込まれると、接続されたデバイスがどれであるか尋ねるダイアログウィンドウがポップアップします。



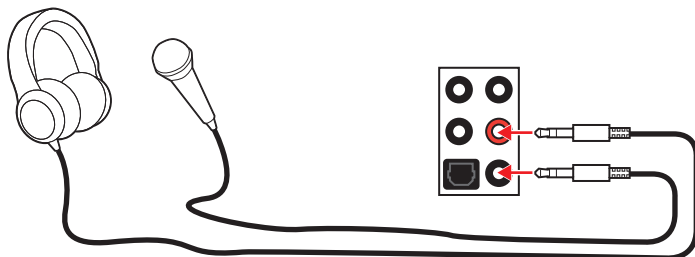
それぞれのジャックとデフォルト設定の対応は、次頁で示す通りです。



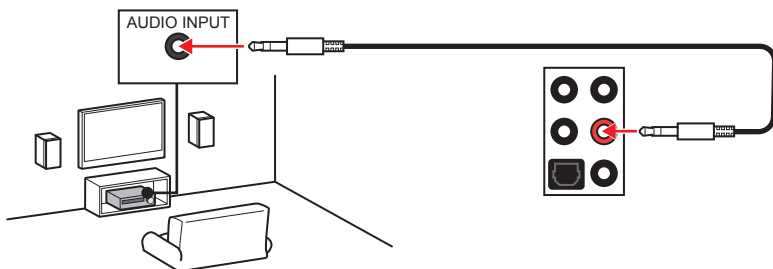
注意

上図は参照用だけです。ご購入した製品はモデルと異なる場合がありますので、ご注意ください。

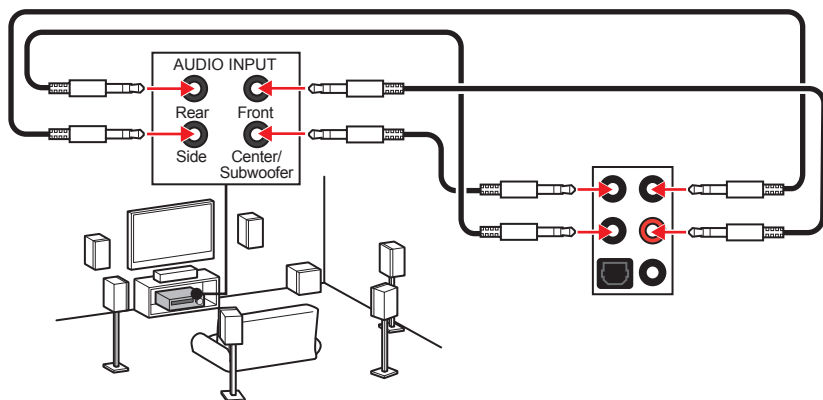
ヘッドフォンとマイクの接続方法



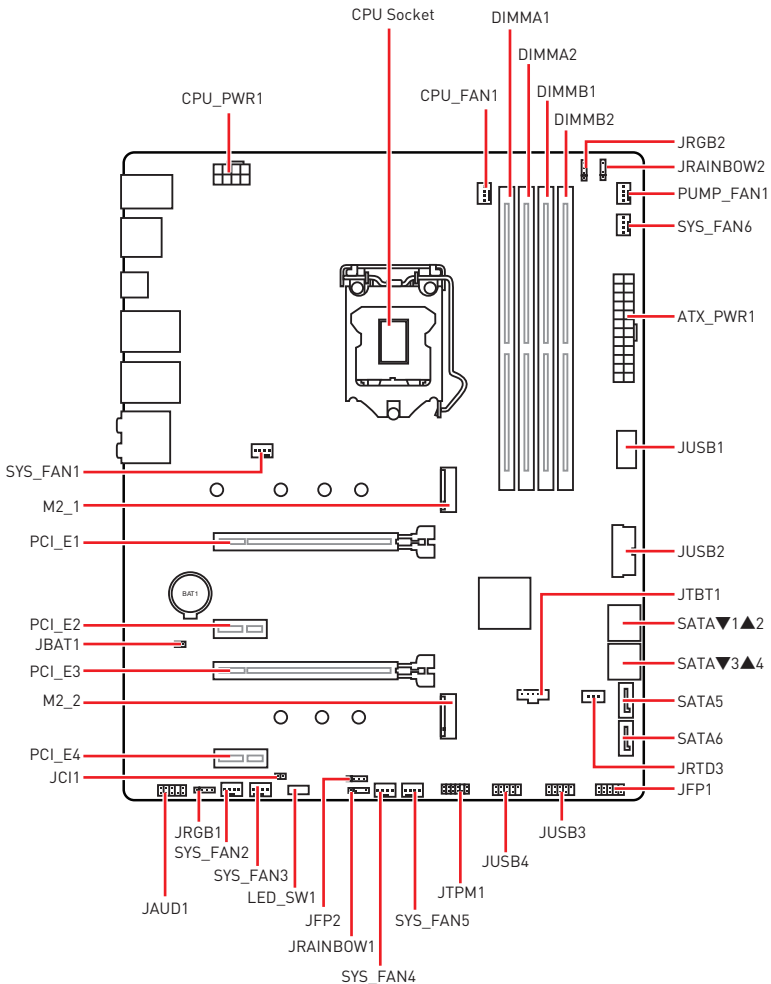
ステレオスピーカーの接続方法



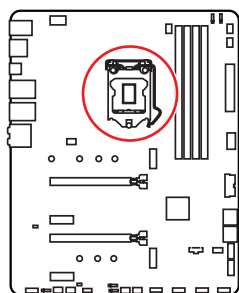
7.1チャンネルスピーカーの接続方法



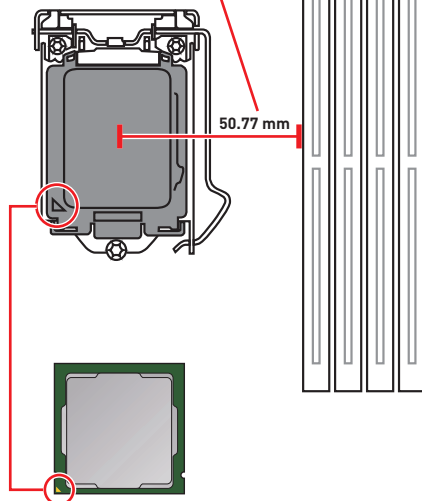
コンポーネントの概要



CPU ソケット



CPUの中央から最近のDIMMスロットまでの直線距離。



LGA 1200 CPUについて

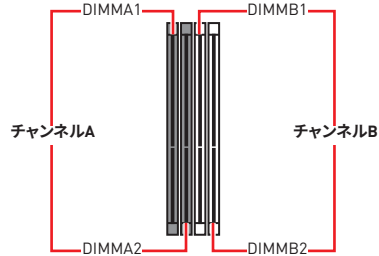
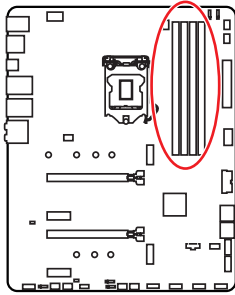
LGA 1200 CPUには切り欠きが2個、黄色い三角印一個があります。黄色い三角印の方向をピン1の方向に向けて装着します。



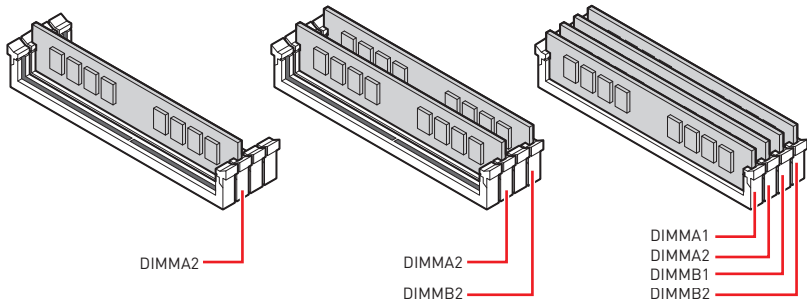
注意

- CPUの脱着は、必ず電源をオフにし、コンセントから電源ケーブルを抜いてから行ってください。
- CPUを取り付けた後、CPUソケットに取り付けられていたCPUソケットカバーは絶対に捨てないでください。本製品の修理を依頼される際に、CPUソケットカバーがCPUソケットに取り付けられていない場合は修理をお断りすることがございます。
- CPUを取り付ける際は、必ずCPUクーラーも取り付けてください。CPUクーラーは過熱を防ぎ、システムの安定を保つために必要です。
- システムを起動する前に、CPUクーラーがCPUとしっかりと密着していることを確認してください。
- CPUの過熱はCPU自身やマザーボードに深刻なダメージを与えるおそれがあります。システム組み立て後初回起動時に必ずCPUファンが正常に動作していることを確認してください。CPUクーラーをマザーボードへ装着する際、CPUとの接触面に適切な量の熱伝導性ペーストを塗布するか、または熱伝導性シートを挟んでください。
- CPUを外した状態でマザーボードを保管する場合は、必ずCPUソケットカバーを装着し、ソケットのピンを保護してください。
- CPUとは別にCPUクーラーを購入された場合は、CPUクーラーに添付されている文書を参照して取り付け方法の詳細を確認して下さい。
- このマザーボードはオーバークロックをサポートしています。オーバークロックを試みる前に、マザーボード以外のすべてのパーツがオーバークロックに耐えるか確認してください。製品の仕様を超えるいかなる試みも推奨しません。製品の仕様を超えた不適切な取り扱いによって生じた損害やリスクをMSIは保証しません。

DIMM スロット



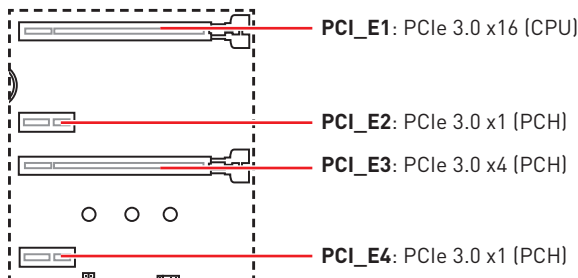
メモリモジュールの推奨取付順序



⚠ 注意

- メモリスロットは**DIMMA2**を最優先に使用して下さい。
- デュアル/トリプル/クワッドチャンネルモードでのシステムの安定性を確保するためには、同一メーカーの同一メモリモジュールを装着する必要があります。
- メモリの動作周波数はSPDに依存するため、オーバークロックの際に公称値より低い周波数で動作するメモリがあります。メモリを公称値かそれ以上の周波数で動作させたい場合は、BIOSメニューの**DRAM Frequency**の項目で動作周波数を設定してください。
- 全てのDIMMスロットを使用する場合やオーバークロックをする場合はより効率的なメモリ冷却システムの使用をお勧めします。
- オーバークロック時の、メモリの安定性と互換性は取り付けられたCPUとデバイスに依存します。
- 互換性があるのメモリについての詳細はwww.msi.comからご参照ください。

PCI_E1~4: PCIe 拡張スロット

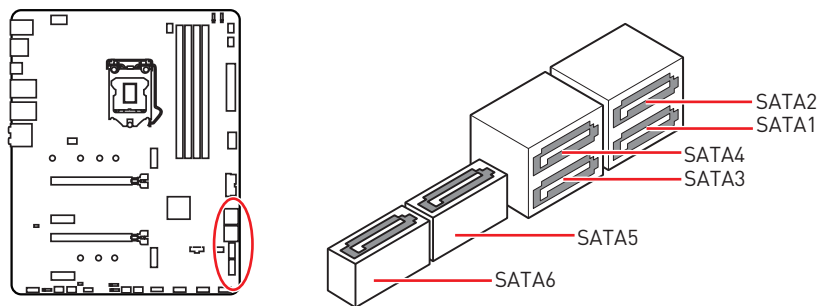


⚠ 注意

- M.2 SSDをM2_2スロットに取り付ける場合に、PCI_E3は無効になります。
- 大型且つ重いグラフィックスカードをインストールすると、スロットの変形を防止するために、**MSI Gaming Series Graphics Card Bolster**のようなツールを使用することが必要です。
- 一枚のPCIe x16拡張カードを最適な性能で動作させたい場合は、**PCI_E1**スロットの使用をお勧めします。
- 拡張カードの着脱は、必ず電源をオフにし、コンセントから電源ケーブルを抜いてから行ってください。ハードウェアまたはソフトウェアにどのような変更が必要であるかは、拡張カードのドキュメントでご確認ください。

SATA1~6: SATA 6Gb/s コネクタ

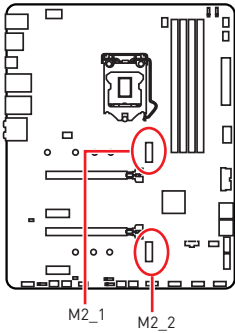
これらのコネクタはSATA 6Gb/sインターフェイスポートです。一つのコネクタにつき、一つのSATAデバイスを接続できます。



⚠ 注意

- SATAケーブルは90度以下の角度に折り曲げないでください。データ損失を起こす恐れがあります。
- SATAケーブルは両端に同一のプラグを備えています。然し、スペースの確保のためにマザーボードにはストレートタイプのコネクタを接続されることをお勧めします。
- M.2 SATA SSDをM2_1スロットに取り付ける場合に、SATA1は無効になります。

M2_1~2: M.2 スロット (Key M)



ビデオデモンストレーション

M.2モジュールを取り付ける方法をビデオで確認できます。

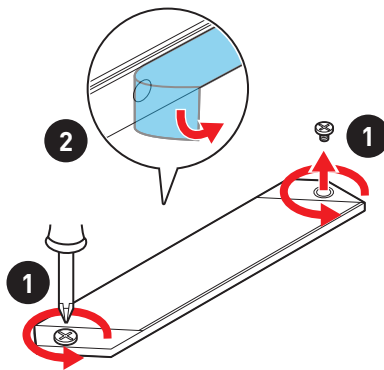
<http://youtu.be/JCTFABytrYA>

⚠ 注意

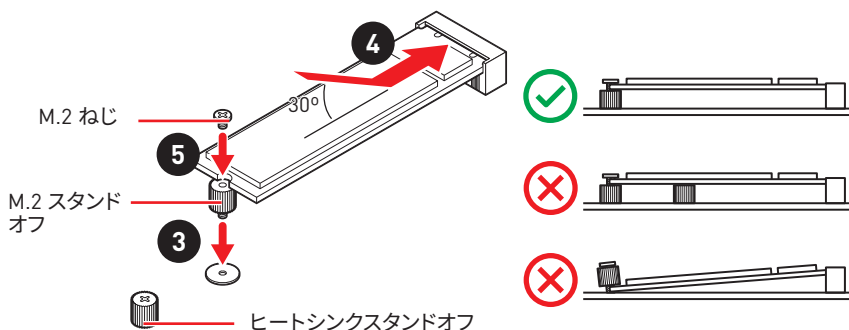
- Intel® RSTはUEFI ROM付きのPCIe M.2 SSDのみをサポートします(M2_2 スロットのみ)。
- 全てのM2_2スロットのためにIntel® Optane™メモリアレイヤー。

M2_1 スロットの取り付け

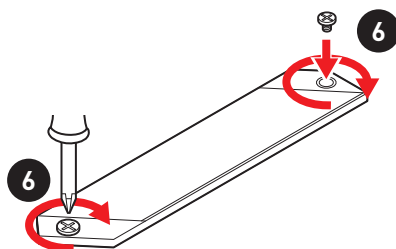
1. M.2 SHIELD FROZRヒートシンクのねじを緩めます。
2. M.2 SHIELD FROZRヒートシンクを持ち上げ、放熱パッドから保護膜を取り外します。



- M.2 SSDの取り付け時に、M.2スタンドオフを移動して適切な位置に固定します。M.2 SSDの長さがM.2ヒートシンクに等しい場合、M.2 SSDに損害を防止するために、M.2スタンドオフを取り外します。
- 30°の角度でM.2 SSDをM.2スロットに挿入します。
- M.2ねじでM.2 SSDを正しい位置に固定します。ステップ3でM.2スタンドオフを取り外する場合は、このステップを飛ばします。



- M.2 SHIELD FROZRヒートシンクをヒートシンクスタンドオフに固定します。

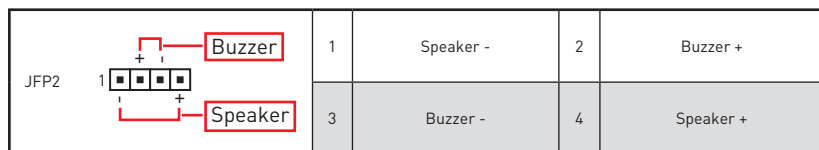
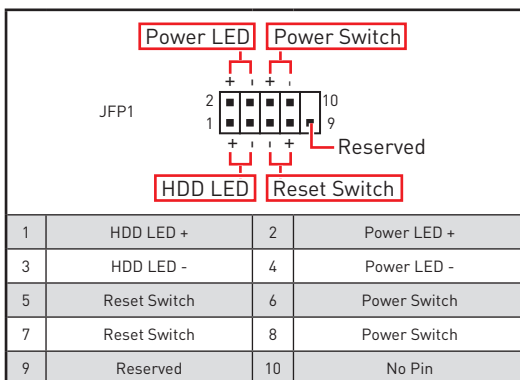
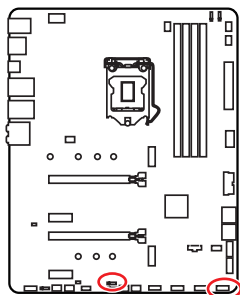


M2_2スロットの取り付け

ステップ3・4と5に従い、M.2 SSDをM2_2スロットに取り付けてください。

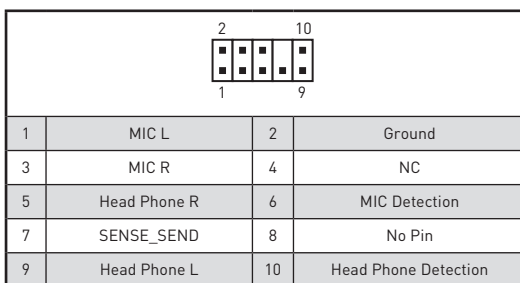
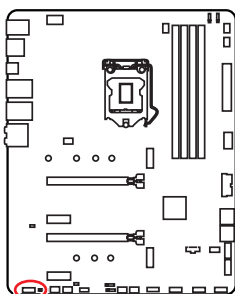
JFP1、JFP2: フロントパネルコネクタ

これらのコネクタにはフロントパネルのスイッチとLEDを接続します。



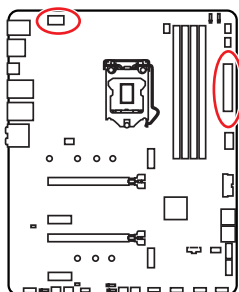
JAUD1: フロントオーディオコネクタ

このコネクタにはフロントパネルのオーディオジャックを接続します。



CPU_PWR1, ATX_PWR1: 電源コネクター

これらのコネクターにはATX電源を接続します。



1	Ground	5	+12V
2	Ground	6	+12V
3	Ground	7	+12V
4	Ground	8	+12V

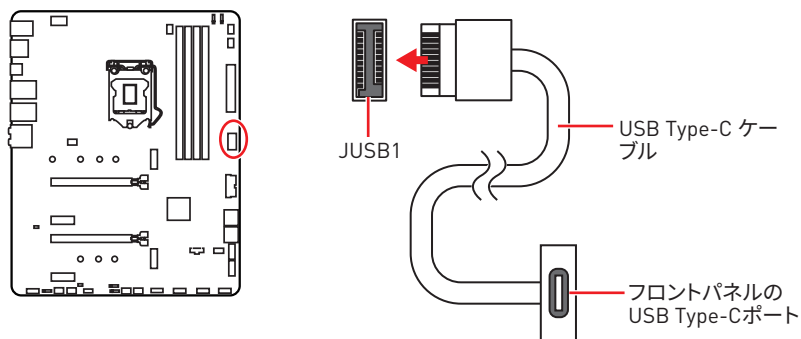
1	+3.3V	13	+3.3V
2	+3.3V	14	-12V
3	Ground	15	Ground
4	+5V	16	PS-ON#
5	Ground	17	Ground
6	+5V	18	Ground
7	Ground	19	Ground
8	PWR OK	20	Res
9	5VSB	21	+5V
10	+12V	22	+5V
11	+12V	23	+5V
12	+3.3V	24	Ground

注意

マザーボードの安定した動作を確実にするために、全ての電源ケーブルが適切なATX電源ユニットにしっかりと接続されていることを確認して下さい。

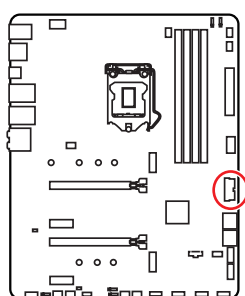
JUSB1: USB 3.2 Gen 1 5Gbps Type-C コネクタ

このコネクタにはフロントパネルのUSB 3.2 Gen 1 5Gbps Type-Cコネクタを接続します。このコネクタは確実なデザインを持っています。ケーブルを接続すると、対応方向で接続することを確認してください。



JUSB2: USB 3.2 Gen 1 5Gbps コネクタ

これらのコネクタにはフロントパネルのUSB 3.2 Gen 1 5Gbpsポートを接続します。



1	Power	11	USB2.0+
2	USB3_RX_DN	12	USB2.0-
3	USB3_RX_DP	13	Ground
4	Ground	14	USB3_TX_C_DP
5	USB3_TX_C_DN	15	USB3_TX_C_DN
6	USB3_TX_C_DP	16	Ground
7	Ground	17	USB3_RX_DP
8	USB2.0-	18	USB3_RX_DN
9	USB2.0+	19	Power
10	Ground	20	No Pin

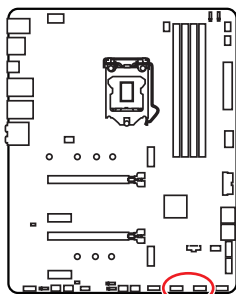


注意

電源とグラウンドピンは必ず接続してください。正しく接続されていない場合、機器が損傷するおそれがあります。

JUSB3~4: USB 2.0 コネクター

これらのコネクターにはフロントパネルのUSB 2.0ポートを接続します。



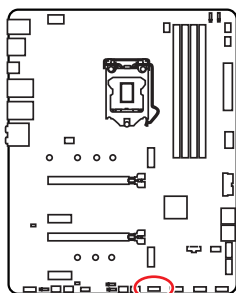
1	VCC	2	VCC
3	USB0-	4	USB1-
5	USB0+	6	USB1+
7	Ground	8	Ground
9	No Pin	10	NC

注意

- VCCピンとグランドピンは必ず接続してください。正しく接続されていない場合、機器が損傷するおそれがあります。
- これらのUSBポートでiPad、iPhoneとiPodを再充電するには、MSI® DRAGON CENTERユーティリティをインストールしてください。

JTPM1: TPMモジュールコネクター

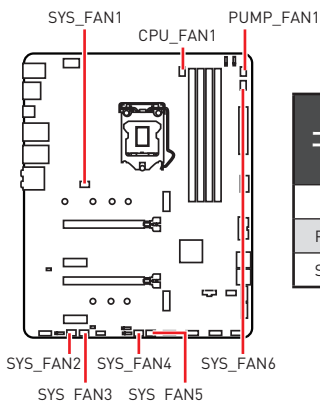
このコネクターはTPM (Trusted Platform Module)を接続します。詳細についてはTPMセキュリティプラットフォームマニュアルを参照して下さい。



1	SPI Power	2	SPI Chip Select
3	Master In Slave Out (SPI Data)	4	Master In Slave In (SPI Data)
5	Reserved	6	SPI Clock
7	Ground	8	SPI Reset
9	Reserved	10	No Pin
11	Reserved	12	Interrupt Request

CPU_FAN1, PUMP_FAN1, SYS_FAN1~6: ファンコネクタ

ファンコネクタはPWM (パルス幅変調)モードとDCモードに分類されます。PWMモードファンコネクタには常時12Vが出力されており、スピードコントロール信号によってファンスピードを調整します。DCモードファンコネクタは電圧出力を変えることでファンスピードをコントロールします。下記の説明に従って手でファンコネクタをPWMまたはDCモードに調整できます。



コネクタ	デフォルトファンモード	最大電流	最大電源
CPU_FAN1	PWMモード	2A	24W
PUMP_FAN1	PWMモード	3A	36W
SYS_FAN1~6	DCモード	2A	24W

ファンモードの切り替えとファンスピードの調整

BIOS > **HARDWARE MONITOR**で、PWMモードとDCモードの間に切り替えることができ、ファンスピードを調整します。

PWM/DCモードを選択します。



ファンスピードの傾斜ポイントはCPUの温度との関連のファンスピードを調整します。



注意

PWM/ DCモードを切り替えた後、ファンが正しく動作していることを確認してください。

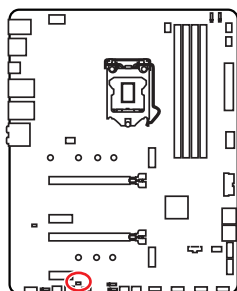
ファンコネクタのピンの定義

PWM モードのピンの定義			
1	Ground	2	+12V
3	Sense	4	Speed Control Signal

DC モードのピンの定義			
1	Ground	2	Voltage Control
3	Sense	4	NC

JCI1: ケース開放スイッチコネクター

このコネクターにはケース開放スイッチケーブルを接続します。



正常
(デフォルト)



ケース開放イベントト
リガー有効

ケース開放検知機能の使い方

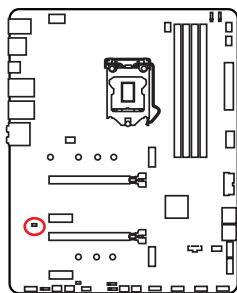
1. JCI1コネクターをケース開放スイッチ/センサーに接続します。
2. ケースのカバーを閉じます。
3. **BIOS > SETTINGS > Security > Chassis Intrusion Configuration**に入ります。
4. **Chassis Intrusion**を**Enabled**に設定します。
5. **F10**を押すと、設定を保存して終了するかメッセージが出ますので、**Enter**キーを押して**Yes**を選択します。
6. ケースが開けられるとシステムに開放の情報が記録され、次のシステム起動時に警告メッセージが表示されます。

ケース開放警告のリセット

1. **BIOS > SETTINGS > Security > Chassis Intrusion Configuration**に入ります。
2. **Chassis Intrusion**を**Reset**に設定します。
3. **F10**を押すと、設定を保存して終了するかメッセージが出ますので、**Enter**キーを押して**Yes**を選択します。

JBAT1: クリアCMOS (BIOSリセット) ジャンパ

本製品はシステムの設定情報を保持するCMOSメモリを搭載しており、マザーボード上のボタン型電池から電力が供給されます。システムの設定をクリアしたい場合は、CMOSメモリをクリアするためにジャンパピンにジャンパブロックを取り付けてください。



データを
保持
(デフォルト)



CMOSをクリア/
BIOSをリセット

BIOSをデフォルト値にリセットする

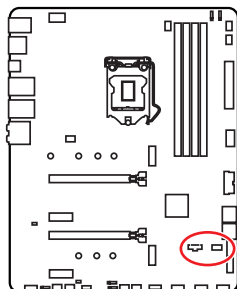
1. PCの電源をオフにし、コンセントから電源コードを抜いて下さい。
2. ジャンパブロックでJBAT1を5-10秒ぐらいショットします。
3. JBAT1からジャンパブロックを取り外します。
4. 電源コードをコンセントに元通りに接続し、電源を投入します。

JTBT1: Thunderbolt追加カードコネクター

このコネクターは追加のThunderbolt I/Oカードを接続します。

JRTD3: Intel RTD3コネクター

このコネクターにはRTD3をサポートする追加のThunderbolt I/OカードのRTD3コネクターを接続します。

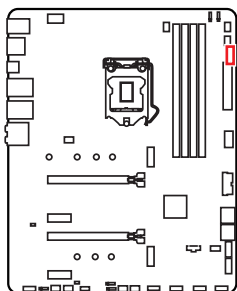


1 JTBT1			
1	FORCE_PWR	2	SCI_EVENT
3	SLP_S3#	4	SLP_S5#
5	Ground		

1 JRTD3			
1	WAKE	2	PWR EN
3	GND		

EZ Debug LED

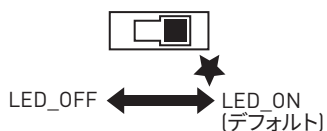
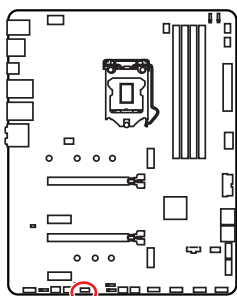
これらのLEDはマザーボードのデバッグ状態を表示します。



- CPU** - CPUが検出されないか、または認識に失敗したことを示します。
- DRAM** - DRAMが検出されないか、または認識に失敗したことを示します。
- VGA** - GPUが検出されないか、または認識に失敗したことを示します。
- BOOT** - ブートデバイスが検出されないか、または認識に失敗したことを示します。

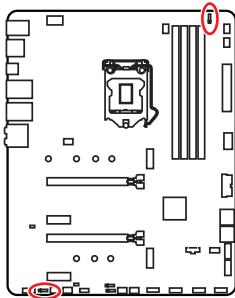
LED_SW1: EZ LEDコントロール

このスイッチはマザーボードのすべてのLEDをオン／オフに切り替えることができます。



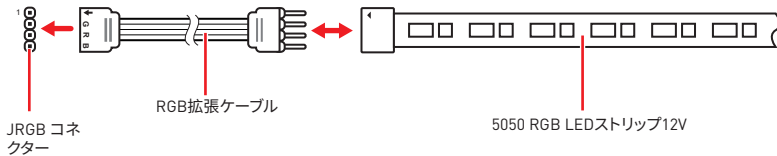
JRGB1~2: RGB LED コネクター

JRGBコネクターは5050 RGB LEDストリップ12Vを接続します。

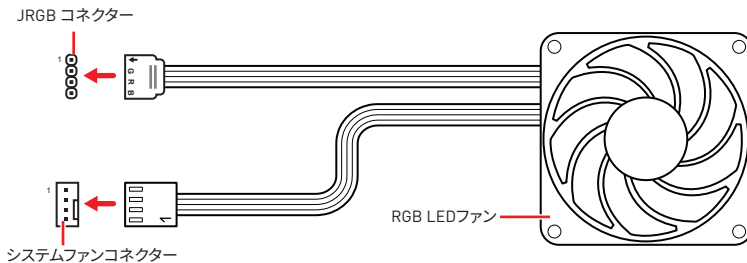


JRGB1		JRGB2	
1	+12V	2	G
3	R	4	B

RGB LEDストリップコネクター



RGB LEDファンコネクター

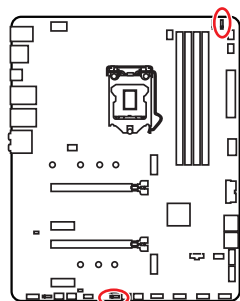


注意

- JRGB コネクターは長さ2m以下のものを御使用ください。定格最大出力は3A (12V) で、5050 RGB LEDストリップ(12V/G/R/B)をサポートします。
- RGB LEDストリップの着脱は、必ず電源ユニットのスイッチをオフにして電源コードを抜いた状態で実施してください。
- MSIのソフトウェアで拡張 LEDストリップをコントロールします。

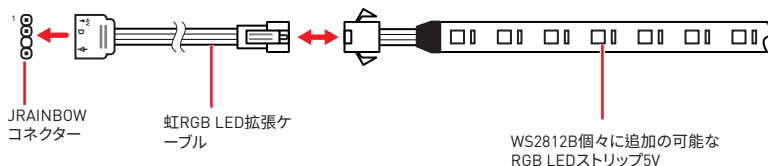
JRAINBOW1~2: 追加のRGB LEDコネクター

JRAINBOWコネクターは WS2812B個々にアドレス可能なRGB LEDストリップ5Vを接続することができます。

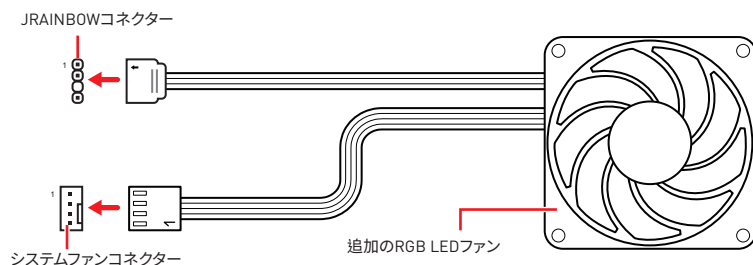


JRAINBOW1		JRAINBOW2	
1	+5V	2	Data
3	No Pin	4	Ground

追加のRGB LEDストリップコネクター



追加のRGB LEDファンコネクター



警告

間違ったタイプのLEDストリップを接続しないでください。JRGBコネクターとJRAINBOWコネクターは異なる電圧を供給し、5V LEDストリップをJRGBコネクターに接続すると、LEDストリップが損傷します。

注意

- RAINBOWコネクターの定格最大出力は3A (5V)で、75 LEDs WS2812B個々にアドレス可能なRGB LEDストリップ (5V/Data/Ground)をサポートします。20%の輝度の場合には、コネクターは最大200 LEDをサポートします。
- RGB LEDストリップの着脱は、必ず電源ユニットのスイッチをオフにして電源コードを抜いた状態で実施してください。
- MSIのソフトウェアで拡張LEDストリップをコントロールします。

OS、ドライバーおよびユーティリティのインストール

www.msi.com から最新のユーティリティとドライバーをダウンロードしてアップデートしてください。

Windows® 10 のインストール

1. PCの電源をオンにします。
2. Windows® 10のインストールメディアを光学ドライブに挿入します。
3. PCケースの**Restart**ボタンを押します。
4. POST (Power-On Self Test)中に**F11**キーを押し、ブートメニューに入ります。
5. ブートメニューから光学ドライブを選択します。
6. **Press any key to boot from CD or DVD...** というメッセージが表示されたら、任意のキーを押します。(スペースキーやEnterキーが無難です。)
7. 画面に表示される説明に従ってWindows® 10をインストールします。

ドライバーのインストール

1. Windows® 10を起動させます。
2. MSI®ドライバーディスクを光学ドライブに挿入します。
3. 「**Select to choose what happens with this disc**」ポップアップ通知をクリックし、それから**Run DVDSetup.exe**を選択してインストーラーを開きます。Windowsコントロールパネルからの自動再生機能をオフにすると、ユーザーはまだMSIドライバーディスクのルートパスから**DVDSetup.exe**を手動で実行します。
4. インストーラーが自動的に起動し、必要な**ドライバー/ソフトウェア**を全部リストアップします。
5. **Install**ボタンをクリックします。
6. ソフトウェアのインストールが始まります。完了した後にシステムの再起動を促されません。
7. **OK**ボタンを押して、インストールを完了させます。
8. PCを再起動させます。

ユーティリティのインストール

ユーティリティをインストールする前に、ドライバーのインストールが完了している必要があります。

1. インストーラーが自動的に起動します。
2. **Utilities**タブをクリックします。
3. インストールしたいユーティリティを選択します。
4. **Install**ボタンをクリックします。
5. ユーティリティのインストールが始まります。完了した後にシステムの再起動を促されます。
6. **OK**ボタンを押して、インストールを完了させます。
7. PCを再起動させます。

UEFI BIOS

MSI UEFI BIOSはUEFI (Unified Extensible Firmware Interface)アーキテクチャと互換性があります。UEFIは、従来のBIOSでは実現できない新機能と利点を多く持っています、将来は完全にBIOSに取って代わることができます。MSI UEFI BIOSは、デフォルトのブートモードとしてUEFIを使用し、新しいチップセットの機能を最大限に活用することができます。しかし古いデバイスと互換性を保つためCSM (Compatibility Support Module) モードも搭載し、レガシーデバイスをUEFI互換デバイスとして使用することもできます。



注意

ほかの説明がない限り、本ユーザマニュアルの用語のBIOSはUEFI BIOSを指します。

UEFIの利点

- クイック起動 - UEFIは直接にオペレーティングシステムを起動し、BIOSセルフテストプロセスを保存することができます。また、POST時にCSMモードに切り替えにかかる時間も排除します。
- 2 TBより大きいハードディスクドライブパーティションをサポートします。
- GUID Partition Table (GPT) 付きのプライマリパーティションを4つ以上にサポートします。
- 無制限のパーティションをサポートします。
- 新しいデバイスの全機能をサポート - 新しいデバイスは互換性がない場合があります。
- セキュリティ起動をサポート - UEFIは、オペレーティングシステムの有効性をチェックして、起動プロセスにはマルウェアがないことを確認します。

互換性のないUEFIケース

- **32ビットWindowsオペレーティングシステム** - このマザーボードはWindows 10 64ビットオペレーティングシステムのみをサポートします。
- **古いグラフィックカード** - システムはグラフィックカードを検出します。警告メッセージが表示される場合、このグラフィックカードにはGOP (Graphics Output Protocol) サポートを検出できません。

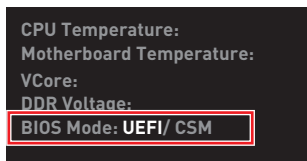


注意

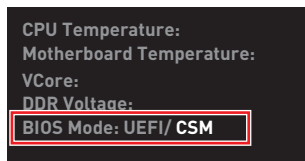
GOP / UEFI対応のグラフィックスカードを使用することを推奨いたします。

BIOSモードを確認する方法

BIOSに入ったら、画面上部にBIOSモードがあります。



UEFI起動モード



CSM起動モード

BIOSの設定

BIOSのデフォルト設定は、通常の使用においてシステムの安定性のために最適な性能を提供します。ユーザーがBIOSに精通していない場合は、起こり得るシステムへのダメージや起動の失敗を防ぐために、常にデフォルト設定のままにすべきです。



注意

- BIOSは性能の向上のために、継続的に変更と修正が行われています。最新のBIOSと本書の内容に齟齬が発生してしまう場合があります。あらかじめご承知おきください。BIOSの設定項目の詳細はHELP情報パネルを参照してください。
- 本章の図はあくまでも一例です。お買い上げの製品と異なる場合がありますので、ご承知おきください。
- BIOSの項目はプロセッサにより異なる場合があります。

BIOSセットアップ画面の起動

起動中に、「Press DEL key to enter Setup Menu, F11 to enter Boot Menu」というメッセージが表示されている間に、<Delete>キーを押してください。

機能キー

- F1:** ヘルプを参照する
 - F2:** Favorites項目を追加/ 削除する
 - F3:** Favoritesメニューに入る
 - F4:** CPU仕様メニューに入る
 - F5:** Memory-Zメニューに入る
 - F6:** Optimized defaultsをロードする
 - F7:** アドバンスモードとEZモードの間に切り替える
 - F8:** OCプロファイルをロードする
 - F9:** OCプロファイルをセーブする
 - F10:** 設定を保存して再起動させる*
 - F12:** スクリーンショットが撮られ、USBメモリに保存されます (FAT/ FAT32フォーマットのみ)
- Ctrl+F:** 検索ページに入る

* <F10>キーを押すと確認ウィンドウが表示され、修正情報が表示されます。YesまたはNoを選択して確認してください。

BIOSのリセット

特定の問題を解決するために、BIOSをセファルト設定に戻す必要があります。BIOSのリセットにはいくつかの方法があります。

- BIOSセットアップ画面で<F6>キーを押してoptimized defaultsをロードする。
- マザーボード上の**クリアCMOS** ジャンパをショートする。



注意

CMOSデータをクリアする前に、必ずPCの電源がオフにすることを確認してください。BIOSのリセットについては**クリアCOMS**ジャンパセクションをご参照ください。

BIOSのアップデート方法

M-FLASHでのBIOSアップデート

アップデートの前に:

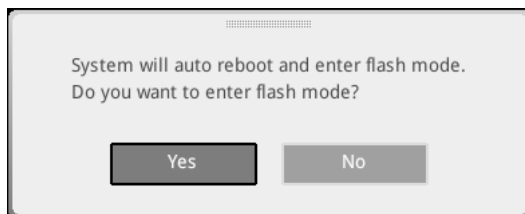
MSIのWEBサイトから最新のBIOSファイルをダウンロードし、USBメモリのルートフォルダにコピーします。

BIOSのアップデート:

1. アップデートするBIOSイメージファイルを含むUSBメモリをマザーボードのUSBポートに挿入します。
2. 下記の方法でフラッシュモードに入ります。
 - POST中に<Ctrl + F5>キーを押して、**Yes**をクリックしてシステムを再起動させます。

<Ctrl+F5>キーを押して、M-FlashをアクティブさせてBIOSのアップデートを行います。

- POST中に<Delete>キーを押してBIOSセットアップ画面に入ります。**M-FLASH**タブを選択し、**Yes**をクリックしてシステムを再起動させます。



3. BIOSイメージファイルを一つ選択し、BIOSアップデートのプロセスを開始させます。
4. ユーザーが促されると、**Yes** をクリックしてBIOSを回復します。
5. アップデートプロセスが完了した後、システムが自動的に再起動します。

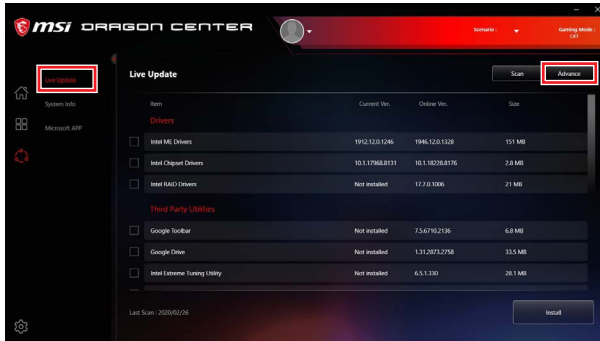
MSI DRAGON CENTERでのBIOSアップデート

アップデートの前に:

LANドライバーがインストールされ、インターネット接続が正しく設定されていることを確認してください。

BIOSのアップデート:

1. MSI DRAGON CENTERをインストールして起動させて、**Support**ページに入ります。
2. **Live Update**を選択して、アドバンスボタンをクリックします。



3. **Scan**ボタンをクリックして、最新のBIOSファイルを検索します。
4. BIOSファイルを選択して**Download**アイコンをクリックして、最新のBIOSファイルをダウンロードしてインストールします。
5. **Next**をクリックして**In Windows mode**を選択します。それから、**Next**と**Start**をクリックしてBIOSのアップデートを始めます。
6. アップデートプロセスが完了した後、システムが自動的に再起動します。

EZモード

EZモードには、基本的なシステム情報が表示され、ユーザーは基本的な設定を行うことができます。詳細なBIOS設定を行う場合には、**Setup Modeスイッチ**または<F7>キーを押してアドバンスモードに入ります。



- **GAME BOOST** -このスイッチをクリックして、オーバークロックのためにGAME BOOSTを切り替えます。マザーボードとCPUが両方ともこの機能をサポートする場合、この機能が利用可能です。

⚠ 注意

GAME BOOST機能の有効時には、最適のパフォーマンスとシステムの安定性を維持するために、OCメニュー内の設定を変更しないでください。またデフォルト設定をロードしないでください。

- **XMPプロフィール** - メモリをオーバークロックのためにXMPプロフィールを選択します。システム、メモリとCPUがこの機能をサポートする場合、この機能が利用可能です。
- **Setup Modeスイッチ** - このタブまたは<F7>キーを押すことで、アドバンスモードとEZモードを切り替えます。
- **スクリーンショット** - このタブまたは<F12>キーを押すことで、スクリーンショットが撮られ、USBメモリに保存されます。(FAT/ FAT32フォーマットのみ)
- **検索** - このタブまたは**Ctrl+F**をクリックすると、検索ページが表示されます。BIOS項目の名前で検索でき、項目の名前を入力して項目のリストを見つけます。マウスを空欄に移動し、マウスを右クリックして検索ページから終了します。

⚠ 注意

検索ページには、F6、F10およびF12機能キーのみが利用可能です。

- **Language(言語)** - BIOSセットアップ画面で使用する言語を選択します。
- **システム情報** - CPU/ DDRスピード、CPU/ MB温度、MB/ CPUのタイプ、メモリのサイズ、CPU/ DDR電圧、BIOSバージョンと作成日を表示されます。
- **ブートデバイス優先順位バー** - デバイスアイコンを移動させることで、ブートデバイスの優先順序を変更できます。優先順序は最も左にあるものが一番高く、右へ行くほど低くなります。
- **コンポーネント情報** - CPU、Memory、Storage、Fan InfoおよびHelpボタンを押すと、接続しているコンポーネントの情報が表示されます。
- **ファンクションボタン** - 各ボタンをクリックすることで、各機能を有効または無効にします。ボタンが**ON**と表示すると、この機能が有効になります。



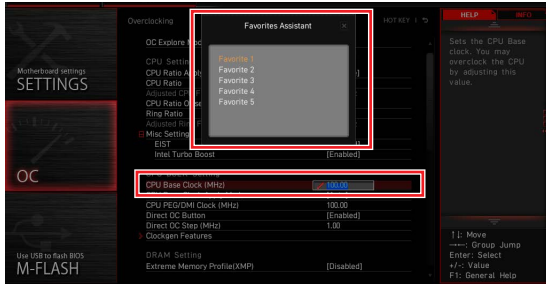
注意
ファンクションボタンはご購入したマザーボードによって異なります。

- **M-Flash** - このボタンを押して、**M-Flash**メニューに入ります。USBメモリを使ってBIOSをアップデートする方法を提供します。
- **ハードウェアモニター** - このボタンを押して、**Hardware Monitor**メニューに入ります。パーセンテージでファンのスピードを手動でコントロールできます。
- **Favorites(お気に入り)** - **Favorites**タブまたは<F3>キーを押すと、Favoritesメニューが表示されます。メニューを作成するための5つのメニューを提供します。その中でユーザーのお気に入りや頻繁に使用するBIOSの設定項目を保存してアクセスできます。



■ BIOS設定項目をFavoriteメニューに追加する

1. BIOSメニューにだけでなく検索ページにもBIOS項目を選択します。
2. 右クリックをするか、または<F2>キーを押します。
3. Favoriteページを一つ選択してOKをクリックします。



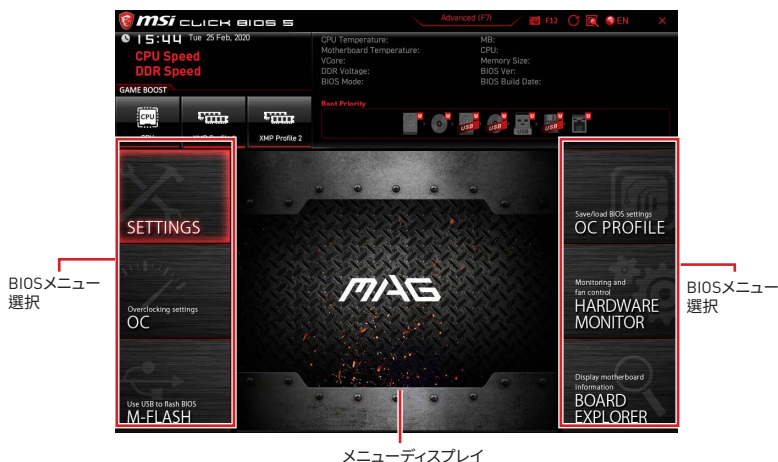
■ BIOS設定項目をFavoriteメニューから削除する

1. Favoriteメニュー内のBIOS項目を選択します。
2. 右クリックをするか、または<F2>キーを押します。
3. Deleteを選択しOKをクリックします。



アドバンスモード

Setup Modeスイッチまたは <F7>キーを押すと、BIOSのセットアップ画面においてEZモードとアドバンスモードが切り替わります。



- **BIOSメニュー選択** - 以下のメニューが利用できます：
 - **SETTINGS** - チップセットのパラメータとブートデバイスを指定できます。
 - **OC** - 周波数の引き上げによって、より良いパフォーマンスが得られるでしょう。
 - **M-FLASH** - USBを使用してBIOSをアップデートできます。
 - **OC PROFILE** - OCプロファイルを管理します。
 - **HARDWARE MONITOR** - ファンの回転速度の設定とシステムの各電圧値のモニタができます。
 - **BOARD EXPLORER** - マザーボードに取り付けられたデバイスの情報を表示します。
- **メニューディスプレイ** - 設定されたBIOSの設定項目と情報が表示されます。

OCメニュー

このメニューで、オーバークロックのために周波数と電圧を設定します。より高い周波数と電圧は、オーバークロックに利点がありますが、システムが不安定になるおそれもあることにご注意ください。



注意

- 手動でのオーバークロックは上級者以外にはお薦めしません。
- オーバークロックによる故障は製品保証の対象外となりますのでご注意ください。不適切な操作は製品の保証を無効にさせ、またハードウェアに深刻なダメージを与えるおそれがあります。
- オーバークロックに精通していない場合は、**GAME BOOST**機能による簡単なオーバークロックをお薦めします。
- OCメニュー内のBIOS項目はプロセッサによって異なります。

▶ OC Explore Mode [Normal]

OC設定の表示項目をnormal(通常)またはexpert(専門)のどちらにするか設定します。

[Normal] BIOS設定に通常のOC設定項目を使用します。

[Expert] BIOS設定にOC上級者向けの詳細なOC設定項目を使用します。

注意: 以降の説明ではExpertモードのみで表示される設定項目に"*"(アスタリスク)を使用します。

▶ CPU Ratio Apply Mode [All Core]*

CPU倍率の適用モードを設定します。この項目はCPUが“Turbo Boost”をサポートする場合にのみ表示されます。

▶ CPU Ratio [Auto]

CPU倍率を設定し、CPUクロックの速度を変更します。この項目は**CPU Ratio Apply Mode**が**All Core**と設定される場合にのみ表示されます。

▶ Adjusted CPU Frequency

調整後のCPUの周波数を表示します。読み取り専用です。

▶ Advanced CPU Configuration

<Enter>キーを押すと、サブメニューが表示されます。CPU電源/電流に関するパラメーターを設定できます。パラメーターを変更した後、システムが不安定になったり、起動しなくなったりすることがあります。その場合は、CMOSデータをクリアし、デフォルト設定に戻してください。

▶ CPU Ratio Offset When Running AVX [Auto]

オフセット値を設定してCPUコア倍率を低下します。AVX命令セットを動作している時、この項目は熱放散に役立ちます。“Auto”に設定すると、BIOSが自動的にを行います。この項目はCPUが本機能をサポートする場合にのみ表示されます。

▶ Ring Ratio [Auto]

Ringの倍率を設定します。有効な値の範囲は取り付けられたCPU依存します。

▶ Adjusted Ring Frequency

調整後のRingの周波数を表示します。読み取り専用です。

▶ GT Ratio [Auto]

統合したグラフィックスの倍率を設定します。有効な値の範囲は取り付けられたCPU依存しません。

▶ Adjusted GT Frequency

調整後の統合したグラフィックスの周波数を表示します。読み取り専用です。

▶ Extreme Memory Profile (XMP) [Disabled]

X.M.P. (Extreme Memory Profile)はメモリモジュールによるオーバークロックテクノロジーです。メモリをオーバークロックのために、XMPを有効にしてメモリモジュールのプロファイルを選択します。X.M.P.をサポートするメモリモジュールを取り付けた場合に、この項目が利用できます。

▶ Memory Try It! [Disabled]

Memory Try It!は最適なメモリプリセットを選択することにより、メモリの互換性または性能を改善します。

▶ DRAM Timing Mode [Link]

メモリタイミングのモードを選択します。

[Link] すべてのメモリチャンネルに同じDRAMタイミングを設定できます。

[UnLink] 各メモリチャンネルに別々のDRAMタイミングを設定できます。

▶ Advanced DRAM Configuration

<Enter>キーを押すと、サブメニューが表示されます。個別または全てのメモリチャンネルに対してメモリタイミングを設定できます。メモリタイミングを変更した後、システムが不安定になったり、起動しなくなったりすることがあります。その場合は、CMOSデータをクリアし、デフォルト設定に戻してください。(クリアCMOSジャンプ/ボタンの節を参照してCMOSのクリアを行い、クリア後BIOSの設定画面でデフォルト設定をロードしてください。)

▶ Memory Fast Boot [Auto] *

システムの起動の度に行うメモリの開始とトレーニングを有効または無効に設定します。

[Auto] BIOSにより自動的に設定を行います。

[Enabled] 初回起動時に実行した開始とトレーニングの結果をシステムに保持させます。その後は起動の度に初期化とトレーニングをしなくなるため、システムの起動が早くなります。

[Disabled] 起動の度にメモリの初期化とトレーニングが行われます。

[Training] 起動の度にメモリのトレーニングが行われます。

▶ DigitALL Power sub-menu

<Enter>キーを押すと、サブメニューが表示されます。サブメニューでは、CPUの電圧/電流/温度についての保護条件を設定できます。

▶ CPU Core Voltage Monitor [VCC Sense]

CPUコア電圧のモニタソースを選択します。

▶ CPU Voltages control [Auto]

これらのオプションでCPUに関連した電圧を設定できます。“Auto”に設定すると、BIOSが自動的に設定を行います。ユーザーも手動で設定を行うことができます。

▶ DRAM Voltages control [Auto]

これらのオプションでメモリに関連した電圧を設定できます。“Auto”に設定すると、BIOSが自動的に設定を行います。ユーザーも手動で設定を行うことができます。

▶ CPU Memory Changed Detect [Enabled]*

CPUまたはメモリが交換された場合、システムのブート中に警告メッセージを表示する機能を有効または無効にします。

[Enabled] システムのブート中に警告メッセージを表示させます。新しいデバイスのためにデフォルト設定をロードする必要があります。

[Disabled] この機能を無効にし、現在のBIOS設定を保持します。

▶ CPU Specifications sub-menu

<Enter>キーを押すと、サブメニューに入ります。サブメニューには取り付けられたCPUの情報が表示されます。<F4>キーを押すことで、いつでもこの情報メニューにアクセスできます。読み取り専用です。

▶ MEMORY-Z sub-menu

<Enter>キーを押すと、サブメニューに入ります。サブメニューには取り付けられたメモリの設定とタイミングが全て表示されます。<F5>キーを押すと、いつでもこの情報メニューにアクセスできます。

▶ CPU Features sub-menu

<Enter>キーを押すと、サブメニューに入ります。CPUの様々な機能を有効または無効にして、CPUを保護しシステムを改善することができます。

목차

안전 지침	3
사양	4
제품 내용물	9
후면 I/O 패널	10
LAN 포트 LED 상태 표시	10
오디오 포트 구성 도표	10
Realtek 오디오 콘솔	11
구성품 개요	13
CPU 소켓	14
DIMM 슬롯	15
PCI_E1~4: PCIe 확장 슬롯	16
SATA1~6: SATA 6Gb/s 커넥터	16
M2_1~2: M.2 슬롯 (Key M)	17
JFP1, JFP2: 전면 패널 커넥터	19
JAUD1: 전면 오디오 커넥터	19
CPU_PWR1, ATX_PWR1: 전원 커넥터	20
JUSB1: USB 3.2 Gen 1 5Gbps C타입 커넥터	21
JUSB2: USB 3.2 Gen 1 5Gbps 커넥터	21
JUSB3~4: USB 2.0 커넥터	22
JTPM1: TPM 모듈 커넥터	22
CPU_FAN1, PUMP_FAN1, SYS_FAN1~6: 팬 커넥터	23
JCI1: 새시 침입 커넥터	24
JBAT1: CMOS (Reset BIOS) 클리어 접퍼	25
JTBT1: 썬더볼트 추가 카드 커넥터	25
JRTD3: 인텔 RTD3 커넥터	25
EZ 디버그 LED	26
LED_SW1: EZ LED 컨트롤	26
JRGB1~2: RGB LED 커넥터	27
JRAINBOW1~2: 주소 지정 가능한 RGB LED 커넥터	28
OS, 드라이브 & 유틸리티 설치하기	29
Windows® 10 설치하기	29
드라이버 설치하기	29
유틸리티 설치하기	29

UEFI BIOS	30
BIOS (바이오스) 설정.....	31
BIOS 설정.....	31
BIOS 리셋.....	32
BIOS(바이오스) 업데이트	32
EZ 모드	34
고급 모드	37
OC 메뉴.....	38

안전 지침

- 이 패키지에 포함된 부품은 정전기 방전(ESD)에 의해 파손될 우려가 있으므로 다음의 설명에 따라 컴퓨터를 조립하십시오.
- 모든 부품이 제대로 연결되었는지 확인하십시오. 제대로 연결되지 않을 경우, 컴퓨터가 부품을 인식하지 못하거나 컴퓨터를 켤 수가 없게 됩니다.
- 부품의 예리한 부분에 손을 다칠 수 있으므로 메인보드 취급시 가장자리 부분을 잡으십시오.
- 메인보드를 취급할 때 정전기로 인한 피해를 방지하기 위해 정전기 방전 ESD 손목 스트랩을 착용할 것을 권장합니다. ESD 손목 스트랩이 없을 경우, 다른 금속 물체를 접촉하는 방법으로 방전하십시오.
- 메인보드의 설치여부를 막론하고 메인보드를 정전 차폐 컨테이너 또는 정전기 방지 패드 위에 보관하십시오.
- 컴퓨터의 전원을 켜기 전에 메인보드 또는 컴퓨터 케이스에 느슨한 스크류 또는 금속 부품이 없는지 확인하십시오.
- 설치가 완료되기 전에 컴퓨터를 부팅하지 마십시오. 그럴 경우, 부품이 영구적으로 손상되거나 사용자가 다칠 수 있습니다.
- 설치 시 도움이 필요하다면 컴퓨터 기술자에게 도움을 요청하십시오.
- 컴퓨터 부품을 설치하거나 제거하기 전에 항상 시스템 전원을 끄고 전원 코드를 콘센트에서 분리합니다.
- 나중에 참조할 수 있도록 사용 설명서를 보관해두십시오.
- 메인보드를 습기가 있는 곳에서 사용하지 마십시오.
- PSU를 전원 콘센트에 연결하기 전에 전원 콘센트가 PSU에 표시된 전압과 동일한 전압을 제공하는지 확인하십시오.
- 전원 코드가 발에 밟히지 않도록 설치하십시오. 전원 코드 위에 물건을 올려놓지 마십시오.
- 메인보드에 표시된 모든 주의사항 및 경고를 유의하십시오.
- 다음 상황이 발생하면, 서비스 담당에게 장치 점검을 받으십시오.
 - 액체가 장치 안에 스며들었습니다.
 - 메인보드가 습기에 노출되었습니다.
 - 메인보드가 제대로 작동하지 않거나 사용 설명서에 따라 사용해도 작동되지 않습니다.
 - 메인보드가 떨어졌거나 손상되었습니다.
 - 메인보드가 확실히 파손될 우려가 있는 부분이 있습니다.
- 메인보드를 주변온도 60°C(140°F) 이상에 두지 마십시오. 메인보드가 손상될 수 있습니다.

사양

CPU	<p>소켓 LGA 1200 용 10세대 인텔® 코어™ 및 펜티엄® 골드/셀레론® 프로세서 지원*</p> <p>* 더 많은 호환성 정보는 www.intel.com을 방문하세요. * F SKU 프로세서를 사용할 경우 온보드 그래픽 출력이 비활성화됩니다.</p>
칩셋	인텔® B460 칩셋
메모리	<ul style="list-style-type: none"> • DDR4 메모리 슬롯 4개, 최대 128GB* 지원 • 인텔® 코어™ i7/ i9 <ul style="list-style-type: none"> ▪ 최대 DDR4 2933 MHz 지원 • 인텔® 코어™ i5 및 below <ul style="list-style-type: none"> ▪ 최대 DDR4 2666 MHz 지원 • 듀얼 채널 모드 지원 • non-ECC, un-buffered 메모리 지원 • 인텔® 익스트림 메모리 프로필 (XMP) 지원 <p>* 호환 가능한 메모리에 대한 최신 정보는 http://www.msi.com을 방문하여 알아보시기 바랍니다.</p>
확장 슬롯	<ul style="list-style-type: none"> • PCIe 3.0 x16 슬롯 1개 (CPU, PCI_E1), x16 모드 지원 • PCIe 3.0 x16 슬롯 1개 (PCH, PCI_E3), x4 모드 지원* • PCIe 3.0 x1 슬롯 2개 (PCH) <p>* M2_2 슬롯에 M.2 SSD가 설치된 경우 PCI_E3 를 사용할 수 없습니다.</p>
온보드 그래픽	<ul style="list-style-type: none"> • HDMI 포트 1개, 최대 4096x2160 @30Hz 해상도 지원 • 디스플레이 포트 1개, 최대 4096x2304 @60Hz 해상도 지원
오디오	<ul style="list-style-type: none"> • Realtek® ALC1200 코덱 <ul style="list-style-type: none"> ▪ 7.1-채널 HD 오디오 ▪ S/PDIF 출력 지원
LAN	<ul style="list-style-type: none"> • Realtek® RTL8125B 2.5Gbps LAN 컨트롤러 1개 • 인텔® I219V 1Gbps LAN 컨트롤러 1개

다음 페이지에서 계속

이전 페이지로부터 계속

<p>스토리지</p>	<p>인텔® B460 칩셋</p> <ul style="list-style-type: none"> • SATA 6Gb/s 6포트* • M.2 슬롯 2개 (Key M) <ul style="list-style-type: none"> ▪ M2_1 최대 PCIe 3.0 x4 및 SATA 6Gb/s, 2242/ 2260/ 2280/ 22110 저장 장치 지원* ▪ M2_2 최대 PCIe 3.0 x4, 2242/ 2260/ 2280 저장 장치 지원** ▪ 인텔® Optane™ Memory Ready*** ▪ 인텔® Smart Response Technology (인텔 코어™ 프로세서) 지원 <p>* M2_1 슬롯에 M.2 SATA SSD가 설치된 경우 SATA1 를 사용할 수 없습니다. ** M2_2 슬롯에 M.2 SSD가 설치된 경우 PCI_E3 를 사용할 수 없습니다. *** 인텔® Optane™ 메모리 모듈을 사용하기 전에 MSI 웹 사이트에서 최신 버전의 드라이버와 BIOS를 업데이트했는지 확인하세요.</p>
<p>RAID</p>	<ul style="list-style-type: none"> • 인텔® B460 칩셋 <ul style="list-style-type: none"> ▪ RAID 0, RAID 1, RAID 5 및 RAID 10 (SATA 저장 장치) 지원
<p>USB</p>	<ul style="list-style-type: none"> • 인텔® B460 칩셋 <ul style="list-style-type: none"> ▪ USB 3.2 Gen 1 5Gbps 6포트 (후면 패널에 A타입 4포트, 내장 USB 3.2 Gen 1 커넥터를 통해 2포트) ▪ USB 3.2 Gen 1 5Gbps 1포트 (C타입 내장 커넥터 1개) ▪ USB 2.0 6포트 (후면 패널에 A타입 2포트, 내장 USB 2.0 커넥터를 통해 4포트) • ASMedia® 3241 칩셋 <ul style="list-style-type: none"> ▪ 후면 패널에 USB 3.2 Gen 2x2 20Gbps C타입 1포트


다음 페이지에서 계속

이전 페이지로부터 계속

<p>후면 패널 커넥터</p>	<ul style="list-style-type: none"> • PS/2 키보드/ 마우스 콤보 포트 1개 • USB 2.0 A타입 2포트 • 디스플레이 포트 1개 • HDMI 포트 1개 • USB 3.2 Gen 2x2 20Gbps C타입 포트 1개 • LAN (RJ45) 포트 2개 • USB 3.2 Gen 1 5Gbps A타입 포트 4개 • 오디오 잭 5개 • 옵티컬 S/PDIF 출력 커넥터 1개
<p>내장 커넥터</p>	<ul style="list-style-type: none"> • 24pin ATX 메인 전원 커넥터 1개 • 8핀 ATX 12V 전원 커넥터 1개 • SATA 6Gb/s 커넥터 6개 • M.2 슬롯 2개 (M-Key) • USB 3.2 Gen 1 5Gbps C타입 포트 1개 • USB 3.2 Gen 1 5Gbps 커넥터 1개 (외 USB 3.2 Gen 1 5Gbps 2 포트 지원) • USB 2.0 커넥터 2개 (외 USB 2.0 4포트 지원) • 4핀 CPU 팬 커넥터 1개 • 4핀 워터 펌프 팬 커넥터 1개 • 4핀 시스템 팬 커넥터 6개 • 전면 패널 오디오 커넥터 1개 • 시스템 패널 커넥터 2개 • 새시 침입 커넥터 1개 • 4핀 RGB LED 커넥터 2개 • 3핀 RAINBOW LED 커넥터 2개 • TPM 모듈 커넥터 1개 • CMOS 클리어 점퍼 1개 • TBT 커넥터 1개* • RTD3 커넥터 1개 <p>* 섀시볼트 카드는 RTD3를 지원해야 합니다</p>
<p>LED 기능</p>	<ul style="list-style-type: none"> • EZ LED 컨트롤 스위치 1개 • EZ 디버그 LED 4개

다음 페이지에서 계속

이전 페이지로부터 계속

I/O 컨트롤러	NUVOTON NCT6687 컨트롤러 칩
하드웨어 모니터	<ul style="list-style-type: none"> • CPU/시스템 온도 감지 • CPU/시스템 팬 속도 감지 • CPU/시스템 팬 속도 제어
폼 팩터	<ul style="list-style-type: none"> • ATX 폼 팩터 • 12 in. x 9.6 in. (30.5 cm x 24.4 cm)
BIOS 기능	<ul style="list-style-type: none"> • 128 Mb 플래쉬 1개 • UEFI AMI BIOS • ACPI 6.2, SMBIOS 3.2 • 다국어
소프트웨어	<ul style="list-style-type: none"> • 드라이버 • 드래곤 센터 • MSI APP 플레이어 (BlueStacks) • Open Broadcaster Software (OBS) • CPU-Z MSI 게이밍 • 인텔® 익스트림 튜닝 유틸리티 • 구글 유틸리티 : 크롬™, 툴바, 드라이브 • 노턴™ 인터넷 시큐리티 솔루션
드래곤 센터 기능	<ul style="list-style-type: none"> • 게이밍 모드 • 게이밍 핫키 • LAN 매니저 • 미스틱 라이트 • 사용자 시나리오 • 하드웨어 모니터 • True Color • 라이브 업데이트 • DPC 레이턴시 튜너 • 속도 향상 • 스마트 톨 • 슈퍼 차저 <div data-bbox="655 1082 783 1209" style="text-align: center;">  </div> <p data-bbox="652 1230 916 1286">더 자세한 점은 http://download.msi.com/manual/mb/DRAGONCENTER2.pdf 을 참조하세요.</p>

다음 페이지에서 계속

특수 기능

- 오디오
 - 오디오 부스트
- 네트워크
 - 2.5G LAN
 - LAN 매니저
- 쿨링
 - M.2 쉘드 프로저
 - 펌프 팬
 - 스마트 팬 컨트롤
- LED
 - 미스틱 라이트
 - 미스틱 라이트 익스텐션 (RAINBOW/RGB)
 - 미스틱 라이트 SYNC
 - EZ LED 컨트롤
 - EZ 디버그 LED
- 성능
 - DDR4 부스트
 - 코어 부스트
 - 라이트닝 USB 20G
 - 전면 USB C타입
- 보호
 - PCI-E 스틸 아머
 - 사전 설치된 I/O 쉘딩
- 익스피리언스
 - 드래곤 센터
 - 클릭 BIOS 5

제품 내용물

메인보드 패키지의 내용물을 확인하십시오. 다음 품목들이 패키지에 들어 있어야 합니다:

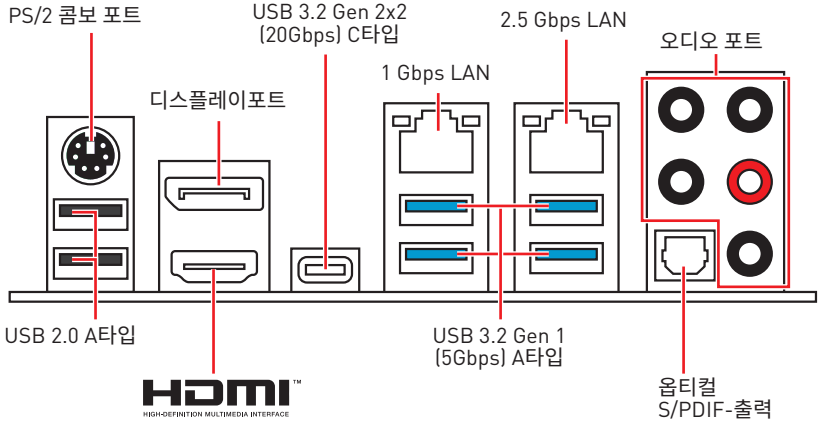
메인보드	MAG B460 TOMAHAWK	
케이블	SATA 6G 케이블 (2 케이블/팩)	1
악세서리	M.2 나사 (3 pcs./팩)	1
	케이블 배지	1
	제품 등록 카드	1
애플리케이션	드라이브 DVD	1
서류	사용 설명서	1
	빠른 설치 설명서	1



중요사항

위 항목 중 하나라도 손상되었거나 누락되었다면 대리점에 문의하십시오.

후면 I/O 패널



LAN 포트 LED 상태 표시

링크/ 통신 LED		속도 LED												
상태	설명													
꺼짐	LAN이 올바르게 연결되지 않았습니다.	<table border="1"> <thead> <tr> <th>상태</th> <th>1 Gbps LAN</th> <th>2.5 Gbps LAN</th> </tr> </thead> <tbody> <tr> <td>꺼짐</td> <td>10 Mbps</td> <td>10 Mbps</td> </tr> <tr> <td>녹색</td> <td>100 Mbps/ 1 Gbps</td> <td>100 Mbps/ 1 Gbps</td> </tr> <tr> <td>오렌지색</td> <td>이용 불가</td> <td>2.5 Gbps</td> </tr> </tbody> </table>	상태	1 Gbps LAN	2.5 Gbps LAN	꺼짐	10 Mbps	10 Mbps	녹색	100 Mbps/ 1 Gbps	100 Mbps/ 1 Gbps	오렌지색	이용 불가	2.5 Gbps
상태	1 Gbps LAN		2.5 Gbps LAN											
꺼짐	10 Mbps		10 Mbps											
녹색	100 Mbps/ 1 Gbps		100 Mbps/ 1 Gbps											
오렌지색	이용 불가	2.5 Gbps												
노란색	LAN이 올바르게 연결되었습니다.													
깜빡임	컴퓨터가 LAN으로 정상적인 통신중입니다.													

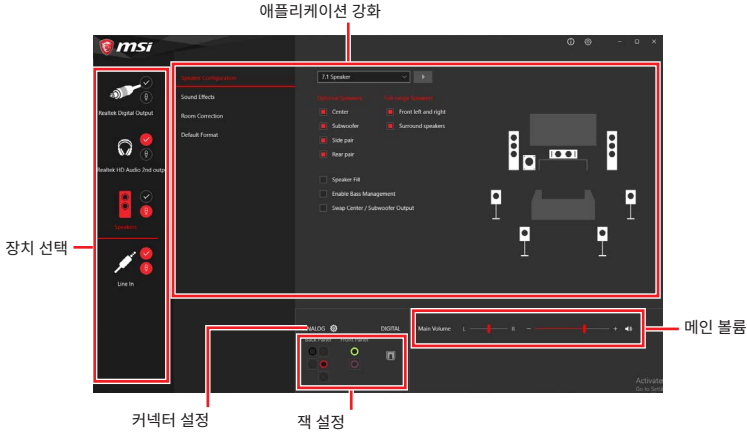
오디오 포트 구성 도표

오디오 포트	채널			
	2	4	6	8
중앙/ 서브우퍼 출력			●	●
후면 스피커 출력		●	●	●
라인 입력/ 측면 스피커 출력				●
라인 출력/ 전면 스피커 출력	●	●	●	●
마이크 입력				

(●: 연결됨, 빈칸: 무)

Realtek 오디오 콘솔

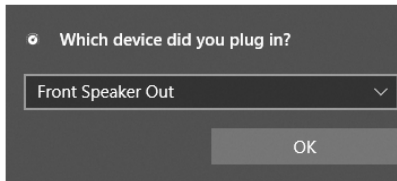
Realtek 오디오 콘솔을 설치한 후 사운드 설정을 변경하여 더 나은 사운드를 경험할 수 있습니다.



- **장치 선택** - 오디오 출력 소스를 선택하여 관련 옵션을 변경합니다. **체크** 표시된 장치가 기본 장치입니다.
- **애플리케이션 강화** - 출력 및 입력 장치의 예상 음향 효과에 대한 가이드를 전부 제공합니다.
- **메인 볼륨** - 바를 조정하여 볼륨을 조정하거나 전면 또는 후면 패널에 연결된 스피커의 오른쪽/왼쪽 사이드의 균형을 잡습니다.
- **잭 상태** - 모든 렌더링 및 캡처 장치가 현재 컴퓨터에 연결되었는지 보여줍니다.
- **커넥터 설정** - 커넥터 연결에 대한 설정을 구성합니다.

자동 팝업 대화창

장치를 오디오 잭에 연결하면 아래와 같은 대화창이 나타나며 현재 어떤 기기가 연결되었는지를 선택해야 합니다.



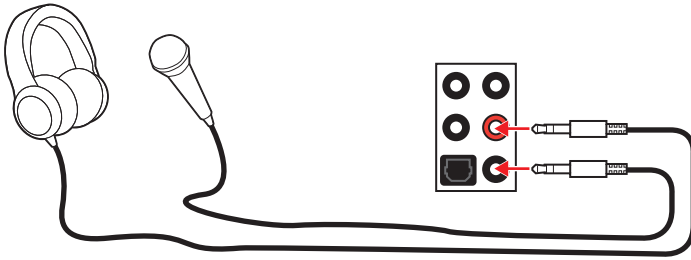
다음 페이지에서 각 잭에 해당하는 기본 설정을 알아볼 수 있습니다.



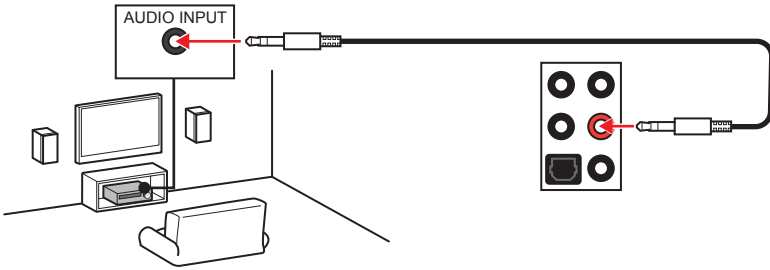
중요사항

이 그림은 참조용일 뿐이며 구매한 제품에 따라 다를 수 있습니다.

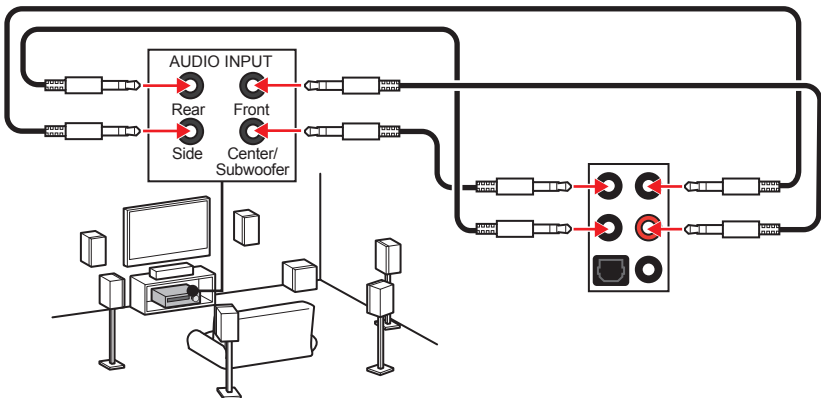
헤드폰 및 마이크용 오디오 잭 도표



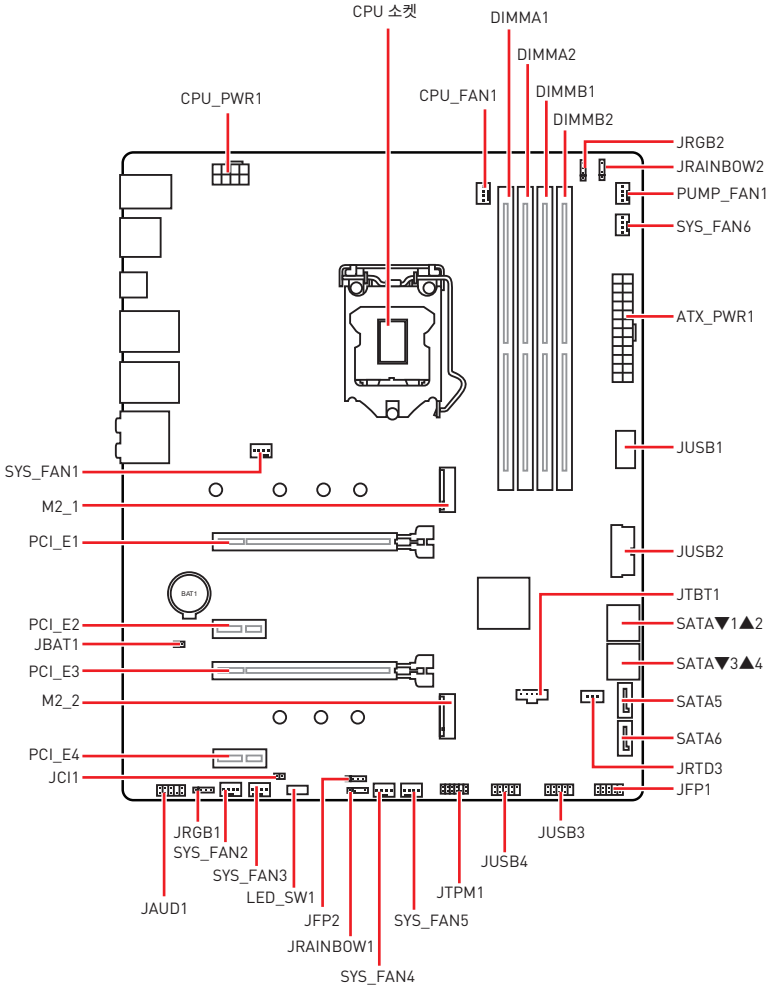
스테레오 스피커용 오디오 잭 도표



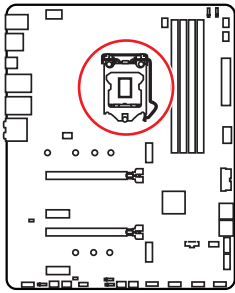
7.1-채널 스피커용 오디오 잭 도표



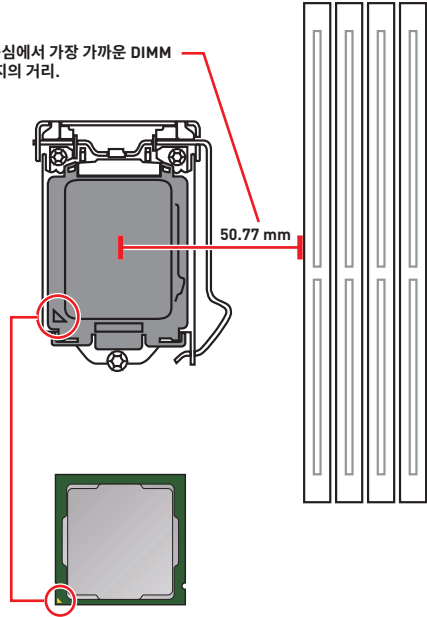
구성품 개요



CPU 소켓



CPU 중심에서 가장 가까운 DIMM 슬롯까지의 거리.



LGA 1200 CPU 소개

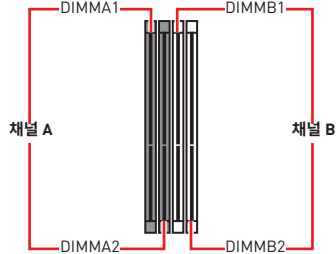
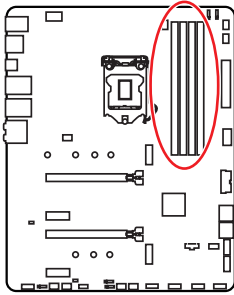
LGA 1200 CPU 표면에는 2개의 노치와 1개의 금색 삼각형이 있어 메인보드를 배치할 때 CPU를 올바르게 정렬할 수 있습니다. 금색 삼각형은 핀 1 표시기입니다.



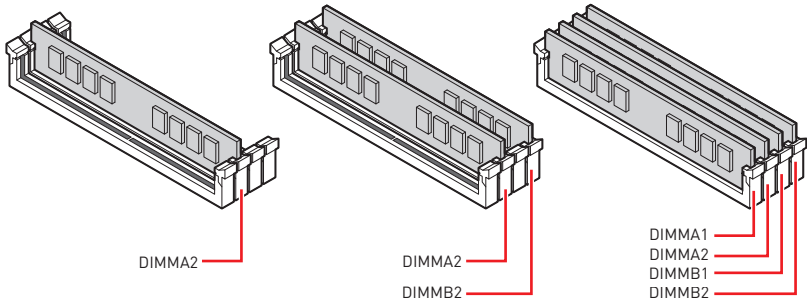
중요사항

- CPU를 설치하거나 제거하기 전에 전원 코드를 콘센트에서 뽑아주시기 바랍니다.
- 프로세서를 설치한 후, CPU 보호 캡을 보관하시기 바랍니다. 반품시 메인보드와 CPU 소켓 보호 캡이 함께 제공되어야만 MSI에서 반품(RMA) 요청 처리를 진행할 수 있습니다.
- CPU 설치시, CPU 히트싱크를 반드시 설치하세요. CPU 히트싱크는 과열을 방지하고 시스템 성능을 유지하는데 꼭 필요합니다.
- 시스템을 부팅하기 전에 CPU 히트싱크가 단단히 설치되었는지 확인합니다.
- 과열은 CPU와 시스템을 심각하게 손상시킬 수 있으니 CPU가 과열되지 않도록 쿨러팬이 제대로 작동하고 있는지 항상 확인하세요. 열이 잘 발산되도록 CPU와 방열판 사이에 서멀 페이스트(또는 서멀 테이프)를 고르게 발라주세요.
- CPU가 설치되어 있지 않은 경우, 손상되지 않도록 항상 플라스틱 캡으로 CPU 소켓 핀을 보호하세요.
- CPU와 히트싱크/쿨러를 별도로 구입하였을 경우, 설치에 대한 자세한 내용은 히트싱크/쿨러 패키지에 있는 설명서를 참조하세요.
- 이 메인보드는 오버클로킹을 지원하도록 디자인 되었습니다. 오버클럭하기 전에 오버클로킹 기능을 실행하는 동안 여타 부품이 오버클럭 설정을 사용할 수 있는지 확인하세요. 제품 스펙을 초과하는 범위에서는 작동하지 마세요. 당사는 올바르게 작동하거나 제품 스펙을 초과하는 범위에서 작동하여 발생한 손상이나 위험은 보장하지 않습니다.

DIMM 슬롯



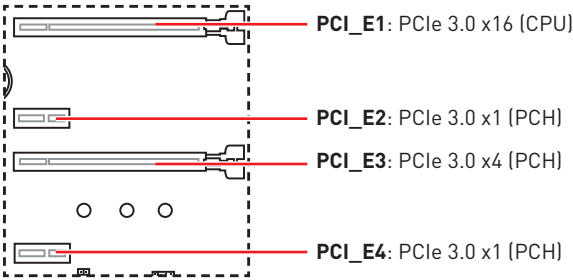
메모리 모듈 설치 (추천)



⚠️ 중요사항

- 항상 **DIMMA2** 슬롯에 메모리 모듈을 먼저 삽입하세요.
- 듀얼 채널 모드의 시스템 안정성을 보장하려면 동일한 타입과 용량의 메모리 모듈을 사용해야 합니다.
- 메모리 주파수는 Serial Presence Detect (SPD)에 의해 작동하기 때문에 오버클로킹시 일부 메모리는 표시된 값보다 낮은 주파수에서 작동합니다. 표시된 값(포함)보다 높은 주파수에서 메모리를 작동하려면 BIOS로 이동하여 **DRAM Frequency** 항목에서 메모리 주파수를 설정하세요.
- 풀 DIMM 설치 또는 오버클로킹을 위해 보다 효율적으로 메모리 냉각 시스템을 사용할 것을 권장합니다.
- 오버클로킹시의 안정성과 설치된 메모리 모듈의 호환성은 설치된 CPU 및 장치에 따라 달라집니다.
- 호환 가능한 메모리에 대한 자세한 정보는 www.msi.com을 방문하여 알아보시기 바랍니다.

PCI_E1~4: PCIe 확장 슬롯

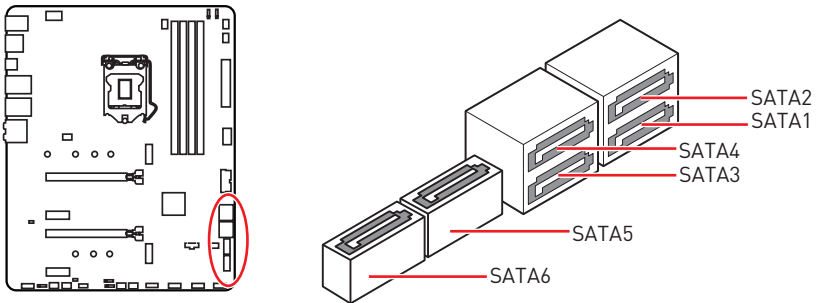


! 중요사항

- M2_2 슬롯에 M.2 SSD가 설치된 경우 PCI_E3를 사용할 수 없습니다.
- 크고 무거운 그래픽 카드를 설치할 경우, 그래픽 카드를 안전하게 지지하여 슬롯의 변형을 방지하기 위해 **MSI 게이밍 시리즈 그래픽 카드 지지대**와 같은 장치를 사용하시면 더욱 안전합니다.
- 하나의 PCIe x16 확장 카드를 설치하여 최적의 효과를 원하신다면 **PCI_E1** 슬롯을 사용할 것을 추천합니다.
- 확장 카드를 추가하거나 제거할 때 먼저 전원을 끄거나 전원 코드를 콘센트에서 뽑으세요. 확장 카드에 대해 필요한 하드웨어나 소프트웨어 변경에 대하여 알려면 확장카드 설명서를 읽으세요.

SATA1~6: SATA 6Gb/s 커넥터

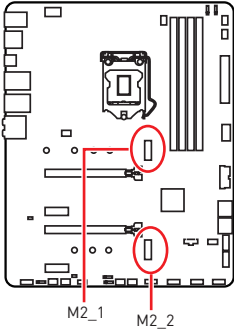
이 커넥터는 SATA 6Gb/s 인터페이스 포트입니다. 각 커넥터에 하나의 SATA 장치를 연결할 수 있습니다.



! 중요사항

- SATA 케이블을 90도로 꺾지 마십시오. 그럴 경우, 전송 중 데이터가 손상될 수 있습니다.
- SATA 케이블의 양쪽 모두에 동일한 플러그가 있지만, 공간 절약을 위해 플랫 커넥터를 메인보드에 연결할 것을 권장합니다.
- M2_1 슬롯에 M.2 SATA SSD가 설치된 경우 SATA1를 사용할 수 없습니다.

M2_1~2: M.2 슬롯 (Key M)



데모 동영상

M.2 모듈 설치 방법을 알아보려면 아래의 웹사이트를 방문하세요.

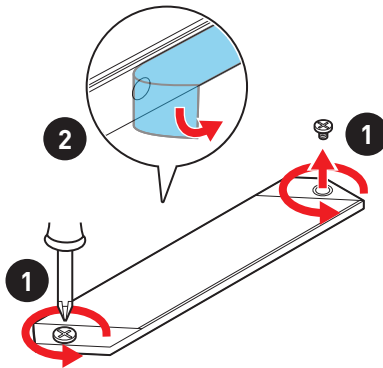
<http://youtu.be/JCTFABytrYA>

중요사항

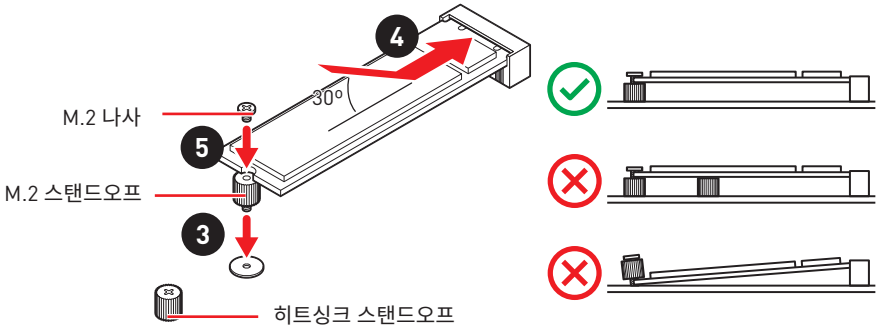
- 인텔® RST는 PCIe M.2 SSD UEFI ROM만 지원합니다. (M2_2 슬롯 전용)
- 인텔® Optane™ Memory Ready. (M2_2 슬롯 전용)

M2_1 슬롯 설치하기

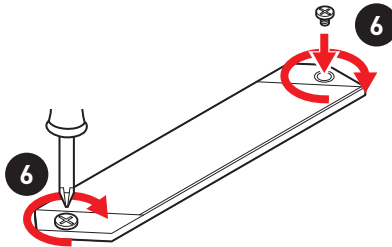
1. M.2 쉴드 FROZR 히트싱크의 나사를 풀어 줍니다.
2. M.2 쉴드 FROZR를 제거하고 열 패드에서 보호 필름을 제거합니다.



- M.2 SSD의 손상을 방지하기 위해, M.2 SSD의 길이와 M.2 히트싱크의 길이가 같을 경우, M.2 스탠드오프를 M.2 SSD에 적절한 위치로 이동 및 고정하거나 M.2 스탠드오프를 제거합니다.
- 30도 각도로 M.2 SSD를 M.2 슬롯에 삽입합니다.
- 제공된 M.2 나사로 M.2 SSD를 제자리에 고정합니다. 3번째 단계에서 M.2 스탠드오프를 제거했다면 이 단계를 넘어갑니다.



- M.2 쉘드 FROZR 히트싱크를 제자리에 다시 놓고 고정합니다.

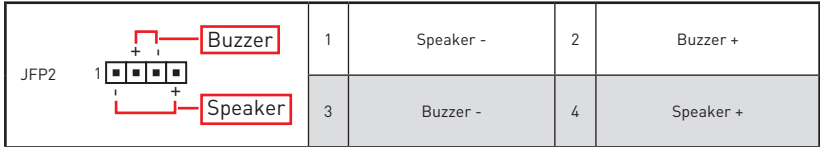
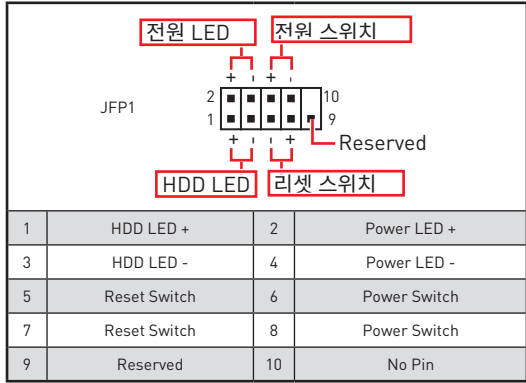
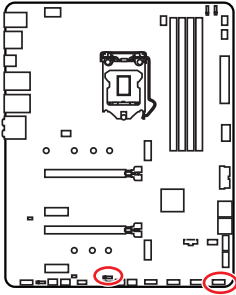


M2_2 슬롯 설치하기

M2_2 슬롯에 M.2 SSD 를 설치하려면 3,4,5단계를 따르십시오.

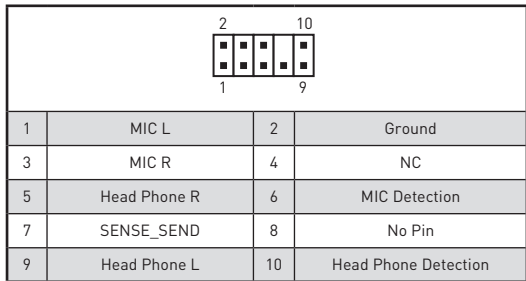
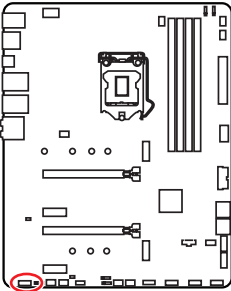
JFP1, JFP2: 전면 패널 커넥터

이 커넥터를 사용하여 전면 패널에 있는 스위치 및 LED를 연결할 수 있습니다.



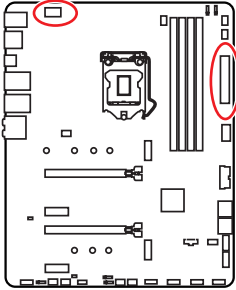
JAUD1: 전면 오디오 커넥터

이 커넥터를 사용하여 전면 패널의 오디오 잭을 연결할 수 있습니다.



CPU_PWR1, ATX_PWR1: 전원 커넥터

이 커넥터를 사용하여 ATX 전원 공급 장치를 연결할 수 있습니다.



1	Ground	5	+12V
2	Ground	6	+12V
3	Ground	7	+12V
4	Ground	8	+12V

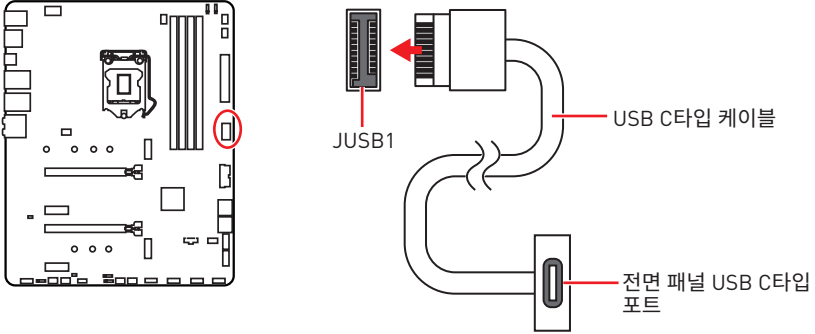
1	+3.3V	13	+3.3V
2	+3.3V	14	-12V
3	Ground	15	Ground
4	+5V	16	PS-ON#
5	Ground	17	Ground
6	+5V	18	Ground
7	Ground	19	Ground
8	PWR OK	20	Res
9	5VSB	21	+5V
10	+12V	22	+5V
11	+12V	23	+5V
12	+3.3V	24	Ground

중요사항

모든 전원 케이블이 ATX 전원 공급 장치에 올바르게 연결되어 메인보드가 안정적으로 작동하는지 확인하십시오.

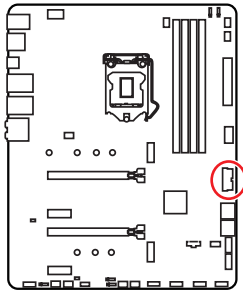
JUSB1: USB 3.2 Gen 1 5Gbps C타입 커넥터

이 커넥터를 사용하여 전면 패널의 USB 3.2 Gen 1 5Gbps C타입 커넥터를 연결할 수 있습니다. 이 커넥터는 폴 프루프(foolproof)로 작동하도록 디자인되었으며 케이블 연결시 정확한 방향으로 연결하시기 바랍니다.



JUSB2: USB 3.2 Gen 1 5Gbps 커넥터

이 커넥터를 사용하여 전면 패널의 USB 3.2 Gen 1 5Gbps 포트를 연결할 수 있습니다.



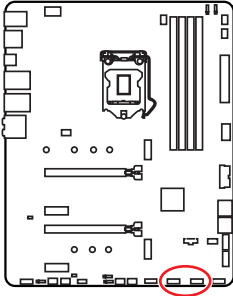
1	Power	11	USB2.0+
2	USB3_RX_DN	12	USB2.0-
3	USB3_RX_DP	13	Ground
4	Ground	14	USB3_TX_C_DP
5	USB3_TX_C_DN	15	USB3_TX_C_DN
6	USB3_TX_C_DP	16	Ground
7	Ground	17	USB3_RX_DP
8	USB2.0-	18	USB3_RX_DN
9	USB2.0+	19	Power
10	Ground	20	No Pin

중요사항

전원 및 그라운드 핀을 정확히 연결하여야 손상을 방지할 수 있습니다.

JUSB3~4: USB 2.0 커넥터

이 커넥터를 사용하여 전면 패널의 USB 2.0 포트를 연결할 수 있습니다.



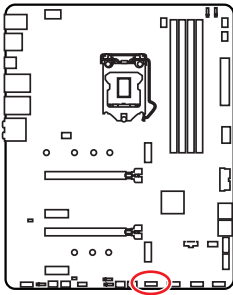
1	VCC	2	VCC
3	USB0-	4	USB1-
5	USB0+	6	USB1+
7	Ground	8	Ground
9	No Pin	10	NC

! 중요사항

- VCC 및 그라운드 핀을 정확히 연결하여야 손상을 방지할 수 있습니다.
- USB 포트를 통하여 iPad, iPhone 및 iPod를 충전하려면 MSI® 드래곤 센터 유틸리티를 설치하시기 바랍니다.

JTPM1: TPM 모듈 커넥터

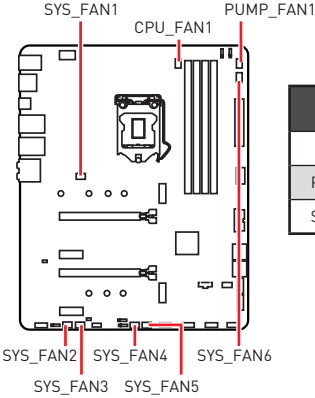
이 커넥터는 TPM (Trusted Platform Module) 모듈에 연결됩니다. 자세한 내용과 사용방법은 TPM 보안 플랫폼 설명서를 참조하세요.



1	SPI Power	2	SPI Chip Select
3	Master In Slave Out (SPI Data)	4	Master In Slave In (SPI Data)
5	Reserved	6	SPI Clock
7	Ground	8	SPI Reset
9	Reserved	10	No Pin
11	Reserved	12	Interrupt Request

CPU_FAN1, PUMP_FAN1, SYS_FAN1~6: 팬 커넥터

팬 커넥터는 PWM (Pulse Width Modulation) 모드와 DC 모드로 분류될 수 있습니다. PWM 모드 팬 커넥터는 12V의 일정한 출력을 제공하고 속도 제어 신호에 따라 팬의 회전 속도를 조정합니다. DC 모드 팬 커넥터는 전압의 변화에 따라 팬의 회전 속도를 제어합니다. 다음 설명에 따라 팬 커넥터를 PWM 또는 DC 모드로 수동조정할 수 있습니다.



커넥터	기본 팬 모드	최대 전류	최대 전력
CPU_FAN1	PWM 모드	2A	24W
PUMP_FAN1	PWM 모드	3A	36W
SYS_FAN1~6	DC 모드	2A	24W

팬 모드 전환 및 속도 조정

PWM 모드와 DC 모드 사이에서 전환할 수 있으며 BIOS > HARDWARE MONITOR(하드웨어 모니터)로 이동하여 팬 속도를 조정할 수 있습니다.

PWM 모드 또는 DC 모드 선택



CPU 온도에 따라 팬 속도를 단계별 설정 가능합니다.

중요사항

PWM/ DC 모드로 전환한 후, 팬이 제대로 작동하는지 확인하시기 바랍니다.

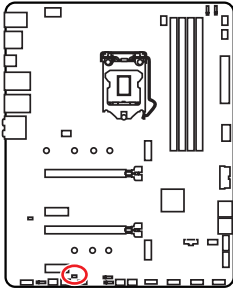
팬 커넥터 핀 정의

1 PWM 모드 핀 정의			
1	Ground	2	+12V
3	Sense	4	Speed Control Signal

1 DC 모드 핀 정의			
1	Ground	2	Voltage Control
3	Sense	4	NC

JCI1: 새시 침입 커넥터

이 커넥터를 사용하여 새시 침입 스위치 케이블을 연결할 수 있습니다.



표준 상태
(기본 설정)



새시 침입 이벤트
트리거

새시 침입 탐지기 사용하기

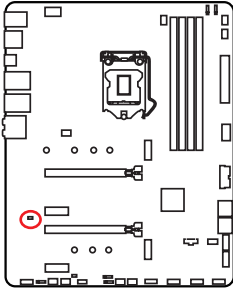
1. JCI1 새시의 새시 침입 스위치/ 센서에 연결합니다.
2. 새시 커버를 닫습니다.
3. **BIOS > SETTINGS > Security > Chassis Intrusion Configuration(새시 침입 구성)**으로 이동합니다.
4. **Chassis Intrusion (새시 침입)** 항목을 **Enabled(사용)**으로 설정합니다.
5. F10키를 눌러 변경 값을 저장하고 종료합니다. **Enter**키를 누른 후 **Yes**를 선택합니다.
6. 새시 커버가 다시 열리면 컴퓨터를 켤 때 알람 메시지가 화면에 나타납니다.

새시 침입 알람 재설정하기

1. **BIOS > SETTINGS > Security > Chassis Intrusion Configuration**으로 이동합니다.
2. **Chassis Intrusion (새시 침입 구성)**을 **Reset (리셋)**으로 설정합니다.
3. **F10**키를 눌러 변경 값을 저장하고 종료합니다. **Enter**키를 누른 후 **Yes**를 선택합니다.

JBAT1: CMOS (Reset BIOS) 클리어 점퍼

메인보드에 시스템 구성 데이터를 유지하기 위해 외부 배터리로부터 전원을 공급 받는 CMOS 메모리가 있습니다. 시스템 구성을 지우려면 점퍼를 아래와 같이 설정하여 CMOS 메모리를 지우세요.



데이터 유지
(기본 설정)



CMOS 클리어/
BIOS 리셋

기본 값으로 BIOS 리셋하기

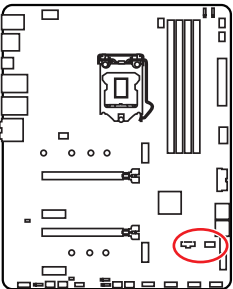
1. 컴퓨터의 전원을 끈 후 전원 콘센트에서 플러그를 뽑습니다.
2. 점퍼 캡을 사용하여 **JBAT1**을 5-10초간 단락합니다.
3. **JBAT1**에서 점퍼 캡을 제거합니다.
4. 플러그를 전원 콘센트에 연결한 후 컴퓨터의 전원을 켭니다.


JTBT1: 썬더볼트 추가 카드 커넥터

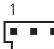
이 커넥터를 사용하여 선택에 따라 추가 썬더볼트 I/O 카드와 연결할 수 있습니다.

JRTD3: 인텔 RTD3 커넥터

이 커넥터를 사용하여 RTD3를 지원하는 추가 썬더볼트 I/O 카드의 RTD3 커넥터를 연결할 수 있습니다.

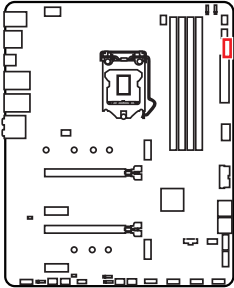


 JTBT1			
1	FORCE_PWR	2	SCI_EVENT
3	SLP_S3#	4	SLP_S5#
5	Ground		

 JRTD3			
1	WAKE	2	PWR EN
3	GND		

EZ 디버그 LED

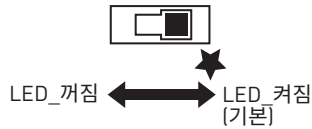
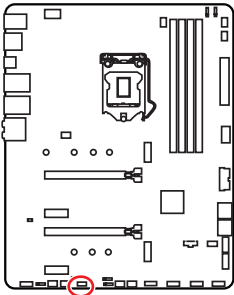
이 LED는 메인보드의 디버그 상태를 나타냅니다.



- CPU** - CPU가 감지되지 않거나 고장났음을 나타냅니다.
- DRAM** - DRAM이 감지되지 않거나 고장났음을 나타냅니다.
- VGA** - GPU가 감지되지 않거나 고장났음을 나타냅니다.
- BOOT** - 부팅 장치가 감지되지 않거나 고장났음을 나타냅니다.

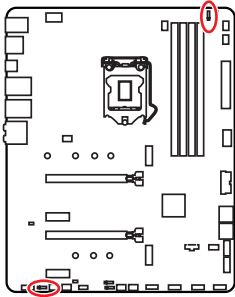
LED_SW1: EZ LED 컨트롤

이 스위치는 메인보드의 모든 LED를 켜거나 끌 때 사용합니다.



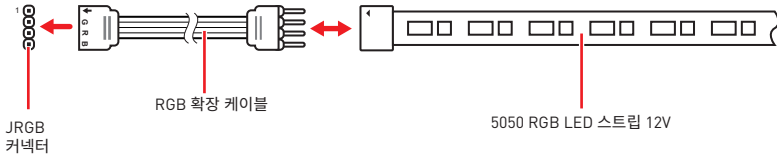
JRGB1~2: RGB LED 커넥터

JRGB 커넥터를 사용하여 5050 RGB LED 스트립 12V을 연결할 수 있습니다.

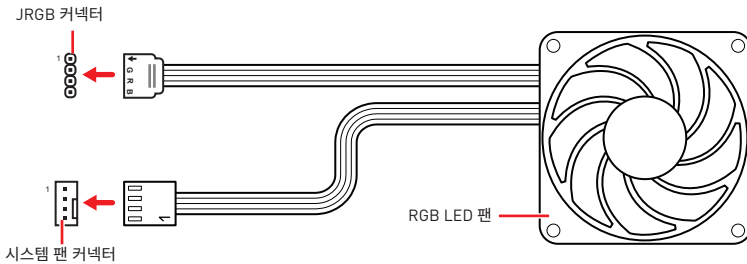


1		1	
JRGB1		JRGB2	
1	+12V	2	G
3	R	4	B

RGB LED 스트립 연결



RGB LED 팬 커넥터

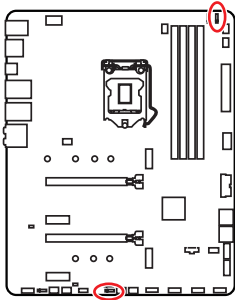


⚠️ 중요사항

- RGB 커넥터는 최대 3A (12V) 정격 전력에서 최대 2미터 연속 5050 RGB LED 스트립 (12V/G/R/B)을 지원합니다.
- RGB LED 스트립을 설치 또는 제거하기 전에 항상 전원 공급 장치의 전원을 끄고 전원 코드를 콘센트에서 뽑아주세요.
- MSI 소프트웨어를 사용하여 확장된 LED 스트립을 조정하세요.

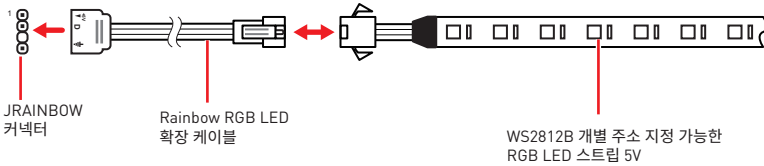
JRAINBOW1~2: 주소 지정 가능한 RGB LED 커넥터

JRAINBOW 커넥터를 사용하여 개별 주소 지정 가능한 WS2812B RGB LED 스트립 5V를 연결할 수 있습니다.

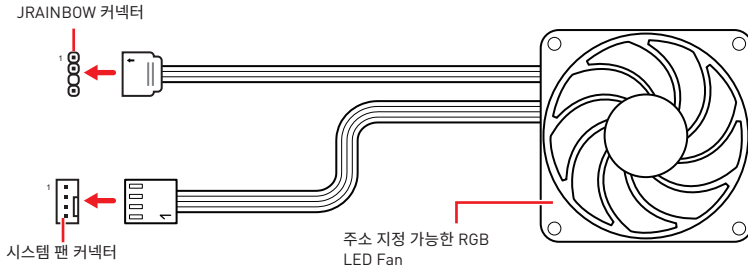


 JRAINBOW1		 JRAINBOW2	
1	+5V	2	Data
3	No Pin	4	Ground

주소 지정 가능한 RGB LED 스트립 연결



주소 지정 가능한 RGB LED 팬 연결



주의

다른 유형의 LED 스트립을 연결하지 마십시오. JRGB 커넥터와 JRAINBOW 커넥터는 다른 전압을 제공하며, 5V LED 스트립을 JRGB 커넥터에 연결하면 LED 스트립이 손상됩니다.

중요사항

- JRAINBOW 커넥터는 최대 3A(5V) 정격전력에서 최대 75 LED WS2812B 개별 지정가능한 RGB LED 스트립(5V/Data/Ground)을 지원합니다. 밝기 20%의 경우에 커넥터는 최대 200 개의 LED를 지원합니다.
- RGB LED 스트립을 설치 또는 제거하기 전에 항상 전원 공급 장치의 전원을 끄고 전원 코드를 콘센트에서 뽑아주세요.
- MSI 소프트웨어를 사용하여 확장된 LED 스트립을 조정하세요.

OS, 드라이브 & 유틸리티 설치하기

공식 웹사이트 www.msi.com 을 방문하여 최신 버전의 유틸리티와 드라이버를 다운로드 및 업데이트하세요 .

Windows® 10 설치하기

1. 컴퓨터의 전원을 켭니다 .
2. Windows® 10 설치 디스크 /USB 를 컴퓨터에 삽입합니다 .
3. 컴퓨터 케이스의 **Restart** 버튼을 누릅니다 .
4. 컴퓨터가 POST (Power-On Self Test) 하는 동안 **F11** 키를 눌러 부팅 메뉴로 이동합니다 .
5. 부팅 메뉴에서 Windows® 10 설치 디스크 /USB 를 선택합니다 .
6. 화면에 **Press any key to boot from CD or DVD...** 라는 메시지가 나타나면 임의의 키를 누릅니다 .
7. 화면에 나타나는 설명에 따라 Windows® 10 운영 체제를 설치합니다 .

드라이버 설치하기

1. Windows® 10 운영 체제에서 컴퓨터를 시작합니다 .
2. MSI® 드라이버 디스크를 광학 드라이브에 삽입합니다 .
3. **Select to choose what happens with this disc** 팝업 알림을 클릭하고 , **Run DVDSetup.exe** 을 선택하여 설치 프로그램을 엽니다 . 제어판에서 자동 실행 기능을 해제한 경우에도 MSI 드라이버 디스크의 루트 경로를 통해서 수동으로 **DVDSetup.exe** 를 실행할 수 있습니다 .
4. **Drivers/Software** 탭에서 필요한 모든 드라이버를 찾아내고 목록이 나타납니다 .
5. 윈도우의 하단 오른쪽 코너에 **Install** 버튼을 누릅니다 .
6. 드라이버 설치가 진행됩니다 . 설치가 완료되면 다시 시작하라는 메시지가 나타납니다 .
7. **OK** 버튼을 눌러 설치를 완료합니다 .
8. 컴퓨터를 다시 시작합니다 .

유틸리티 설치하기

유틸리티를 설치하기 전에 드라이버 설치가 완료되어야 합니다 .

1. 위에 설명된 대로 설치 관리자를 엽니다 .
2. **Utilities** 탭을 클릭합니다 .
3. 설치하려는 유틸리티를 선택합니다 .
4. 윈도우 하단 오른쪽 코너의 **Install** 버튼을 누릅니다 .
5. 유틸리티 설치가 진행됩니다 . 설치가 완료되면 다시 시작하라는 메시지가 나타납니다 .
6. **OK** 버튼을 눌러 설치를 완료합니다 .
7. 컴퓨터를 다시 시작합니다 .

UEFI BIOS

MSI UEFI BIOS는 UEFI(Unified Extensible Firmware Interface) 구성과 호환 가능합니다. UEFI는 기존 BIOS에서 이루지 못한 많은 새로운 기능과 이점을 가지고 있으며, 향후 BIOS를 완전히 대체할 것입니다. MSI UEFI BIOS는 UEFI를 기본 부팅 모드로 사용하여 새 칩셋의 기능을 최대한 활용합니다. 그러나 CSM(Compatibility Support Module) 모드는 이전 장치와 호환됩니다. 따라서 전환 중에 기존 장치를 UEFI 호환 장치로 교체할 수 있습니다.

중요사항

본 사용자 매뉴얼상 'BIOS' 용어는 별도 표기가 없는 한 'UEFI BIOS'를 뜻합니다.

UEFI 이점

- 빠른 부팅 - UEFI는 운영 체제를 직접 부팅하고 BIOS 자가 테스트 프로세스를 저장할 수 있습니다. 또한 POST 중에 CSM 모드로 전환할 필요가 없습니다.
- 2TB보다 큰 하드 드라이브 파티션을 지원합니다.
- GUID 파티션 테이블(GPT)을 사용하여 주 파티션을 4개 이상 지원합니다.
- 파티션 수를 제한 없이 지원합니다.
- 새 장치의 모든 기능을 지원합니다. 새 장치는 이전 버전과의 호환성을 제공하지 못할 수 있습니다.
- 운영체제 시작 시 보안 지원 - UEFI는 운영 체제의 유효성을 검사하여 시작 프로세스에서 악성소프트웨어 동작이 없는지 확인합니다.

호환되지 않는 UEFI 사례들

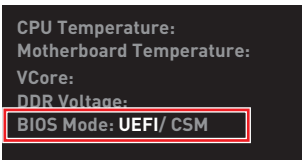
- 32비트 Windows 운영 체제 - 이 메인보드는 64비트 Windows 10 운영 체제만 지원합니다.
- 구버전 그래픽 카드 - 시스템이 자동으로 그래픽 카드를 감지합니다. 이 그래픽 카드에서 GOP (Graphics Output Protocol) 지원이 감지되지 않은 경우 경고 메시지를 표시합니다.

중요사항

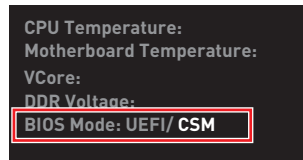
GOP/UEFI 호환 그래픽 카드 사용을 권장드립니다.

어떻게 BIOS 모드를 확인합니까?

BIOS로 들어간 후, 화면 상단에 있는 BIOS 모드를 찾습니다.



UEFI 부팅 모드



CSM 부팅 모드

BIOS (바이오스) 설정

기본 설정은 일반적인 조건에서 시스템의 안정성을 위해 최적의 성능을 제공합니다. BIOS에 익숙하지 않을 경우, 시스템 손상 또는 부팅 실패를 방지하기 위해 **항상 기본 설정을 유지**하기 바랍니다.



중요사항

- IOS 항목은 시스템 성능 향상을 위해 지속적으로 업데이트됩니다. 따라서 여기에 제공된 설명은 최신 BIOS와 조금 상이할 수 있으므로 참조용으로만 사용하십시오. 또한 BIOS 항목에 대해서는 **HELP(도움말)**의 설명을 참고할 수 있습니다.
- 여기에 제공된 그림은 참조용일 뿐이며 구매한 제품에 따라 다를 수 있습니다.
- BIOS 항목은 프로세서에 따라 달라질 수 있습니다.

BIOS 설정

부팅 과정에서 화면에 **DEL** 키를 눌러 설정 메뉴로, **F11** 키를 눌러 부팅메뉴로 이동이라는 메시지가 나타나면 **Delete** 키를 누르세요.

기능 키

- F1:** 도움말
- F2:** 즐겨찾기 항목 추가/삭제
- F3:** 즐겨찾기 메뉴로 이동
- F4:** CPU 규격 메뉴로 이동
- F5:** Memory-Z(메모리-Z) 메뉴로 이동
- F6:** 최적의 기본값 불러오기
- F7:** 고급 모드와 EZ 모드 사이에서 전환
- F8:** 오버클로킹 프로파일 로드
- F9:** 오버클로킹 프로파일 저장
- F10:** 변경값 저장 및 리셋*
- F12:** 화면을 캡처한 후 USB 플래시 드라이브에 저장(FAT/ FAT32 포맷 전용).
- Ctrl+F:** 검색 페이지로 이동

* F10 키를 누르면 확인 대화창이 나타나며 변경사항에 대한 정보를 제공합니다. Yes(예) 또는 No(아니요)를 클릭하여 선택을 확인합니다.

BIOS 리셋

문제 해결을 위해 BIOS 기본 설정을 복원해야 할 경우가 나타날 수 있습니다. BIOS를 리셋하는 방법에는 다음과 같은 몇 가지가 있습니다.

- BIOS로 이동한 후 **F6** 를 눌러 최적화된 기본 값을 로드합니다.
- 메인보드의 **CMOS 클리어** 점퍼를 단락시킵니다.



중요사항

CMOS 데이터를 삭제하기 전에 컴퓨터 전원이 꺼져 있는지 확인해야 합니다. BIOS를 재설정하려면 **CMOS 클리어** 점퍼 섹션을 참조하세요.

BIOS(바이오스) 업데이트

M-FLASH로 BIOS 업데이트

업데이트 하기전:

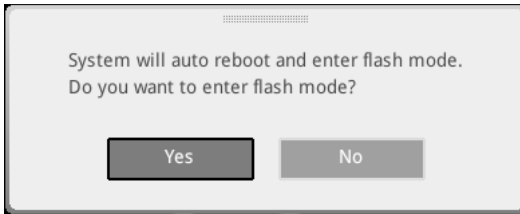
구입한 모듈에 맞는 최신 BIOS 파일을 MSI 웹사이트에서 다운로드한 후 BIOS 파일을 USB 플래시 드라이브에 저장합니다.

BIOS 업데이트:

1. 업데이트 파일이 들어있는 USB 플래시 드라이브를 컴퓨터에 삽입합니다.
2. 플래쉬 모드를 시작하려면 다음 방법을 참조하십시오.
 - POST 중에 재부팅하고 **Ctrl + F5** 키를 누른 다음 **Yes**를 클릭하여 시스템 재부팅하십시오.

Press <Ctrl+F5> to activate M-Flash for BIOS update.

- BIOS(바이오스)를 들어가기 위해 POST 동안 재부팅하고 **Del** 키를 누릅니다. **M-FLASH** 버튼을 클릭하고 **Yes**를 클릭하여 시스템을 재부팅합니다.



3. BIOS 파일을 선택하여 BIOS 업데이트 프로세서를 진행합니다.
4. 메시지가 나타나면, Yes를 클릭하여 BIOS 복구를 시작합니다.
5. 100%로 완료되면 시스템이 자동으로 재부팅됩니다.

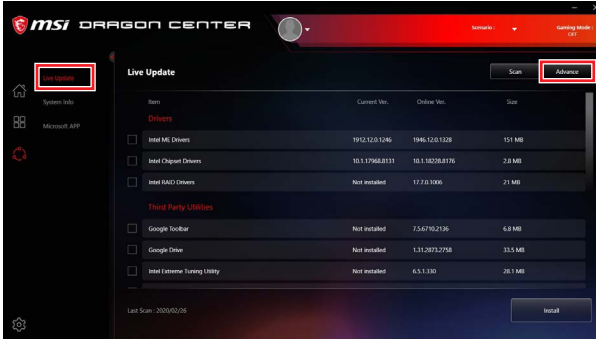
MSI 드래곤 센터로 BIOS 업데이트

업데이트 하기 전:

LAN 드라이버가 이미 설치되어 있고 인터넷이 제대로 연결되었는지 확인하세요.

BIOS 업데이트:

1. MSI 드래곤 센터를 설치 및 시작하고 **Support** 페이지로 이동합니다.
2. **Live Update** 를 선택하고 Advance 버튼을 클릭합니다.



3. **Scan** 버튼을 클릭하여 최신 BIOS 파일을 찾습니다.
4. BIOS 파일을 선택하고 **Download** 아이콘을 클릭하여 최신 BIOS 파일을 다운로드한 후 설치합니다.
5. **Next**를 클릭하고 **In Windows mode**를 선택한 후 **Next** 및 **Start**를 클릭하여 BIOS를 업데이트하기 시작합니다.
6. 100%로 완료되면 시스템이 자동으로 재부팅됩니다.

EZ 모드

EZ 모드는 시스템의 기본 정보를 제공하고 시스템의 기본 설정을 구성할 수 있습니다. 고급 BIOS 설정을 구성하려면 **설정 모드 스위치** 또는 **F7** 기능 키를 눌러 고급 모드로 이동하십시오.



• **게임 부스트** - 게임 부스트를 활성화하여 오버클로킹하려면 클릭하십시오. 이 기능은 메인보드와 CPU가 모두 이 기능을 지원하는 경우에만 사용할 수 있습니다.

⚠️ 중요사항

게임 부스트 기능을 활성화한 후 최적의 성능과 시스템 안정성을 유지하기 위해 OC 메뉴에서 값을 수정하거나 기본값을 로드하지 말 것을 권장합니다.

- **XMP 프로필** - 메모리 오버클럭을 위해 XMP 프로필을 선택할 수 있습니다. 이 기능은 시스템, 메모리 및 CPU가 이 기능을 지원하는 경우에만 사용할 수 있습니다.
- **설정 모드 스위치** - 이 탭 또는 F7 키를 눌러 고급 모드와 EZ 모드 사이에서 전환할 수 있습니다.
- **스크린샷** - 이 탭 또는 F12 키를 눌러 화면을 캡처한 후 USB 플래시 드라이브에 저장합니다 (FAT/FAT32 포맷 전용).
- **검색** - 이 탭을 클릭하거나 **Ctrl+F** 키를 동시에 누르면 검색 페이지를 사용할 수 있습니다. BIOS 항목 이름으로 검색할 수 있으며 마우스를 빈 공간으로 이동하고 마우스 오른쪽 버튼을 눌러 검색 페이지를 종료합니다.

⚠️ 중요사항

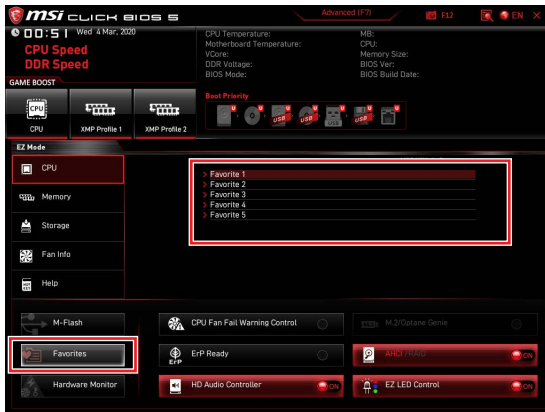
검색 페이지에서는 F6, F10 및 F12 기능 키만 사용 가능합니다.

- **언어** - BIOS 설정시, 필요한 언어를 선택할 수 있습니다.
- **시스템 정보** - CPU/ DDR 속도, CPU/ MB 온도, MB/ CPU 타입, 메모리 용량, CPU/ DDR 전압, BIOS 버전 및 시스템 구축 날짜 등 정보를 표시합니다.
- **부팅 장치 우선순위 바** - 장치 아이콘을 이동하여 부팅 순위를 변경합니다. 왼쪽에서부터 오른쪽으로 가면서 낮아지는 순위입니다.
- **구성 정보** - CPU, 메모리, 스토리지, 팬 정보 및 Help 버튼을 클릭하여 연결된 구성의 정보를 볼 수 있습니다.
- **기능 버튼** - 이 버튼을 클릭하여 이 기능들을 활성화하거나 비활성화합니다. 버튼이 **ON**으로 표시되면 기능이 활성화됩니다.

중요사항

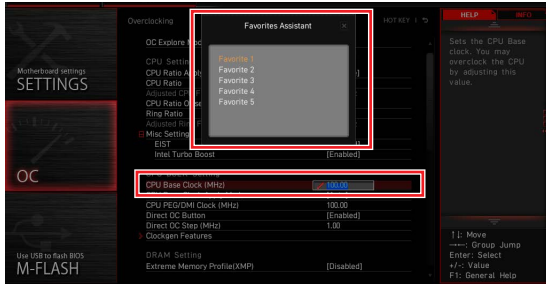
이 기능 버튼은 구입한 메인보드에 따라 다릅니다.

- **M-플래쉬** - M-플래쉬 메뉴로 들어가려면 이 버튼을 클릭합니다. 이 메뉴는 USB 플래시 드라이브로 BIOS를 업데이트하는 방법을 제공합니다.
- **하드웨어 모니터** - 이 버튼을 누르면 하드웨어 모니터 메뉴가 나타나며 이 메뉴에서 퍼센트수로 팬 회전 속도를 수동으로 제어할 수 있습니다.
- **즐거찾기** - 이 버튼을 클릭하거나 F3 키를 눌러 **즐거찾기** 창을 엽니다. 즐겨찾기 / 자주 사용하는 BIOS 설정 항목을 저장하고 액세스할 수 있는 개인 BIOS 메뉴를 만들 수 있는 5가지 메뉴를 제공합니다.



■ 즐겨찾기 메뉴에 BIOS 항목을 추가하기

1. BIOS 메뉴 및 검색 페이지에서도 BIOS 항목을 선택합니다.
2. 마우스의 오른쪽 버튼 또는 **F2** 키를 클릭합니다.
3. 즐겨찾기 페이지를 선택한 후 **OK**를 클릭합니다.



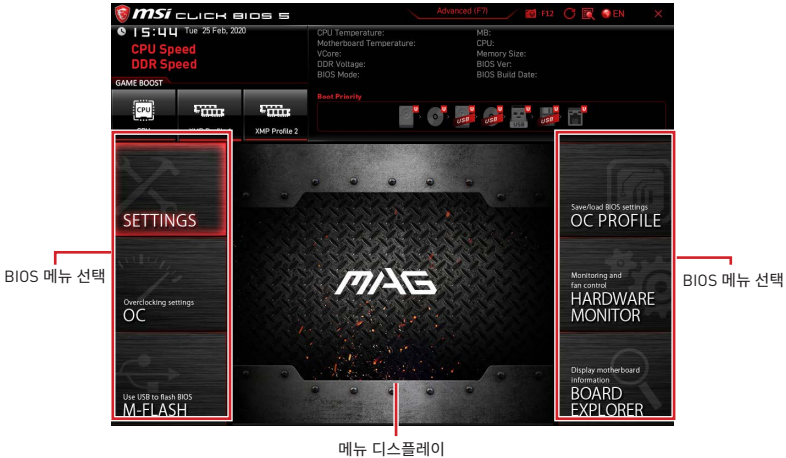
■ 즐겨찾기 페이지에서 BIOS 항목 삭제하기

1. 즐겨찾기 페이지에서 BIOS 항목을 선택합니다.
2. 마우스의 오른쪽 버튼 또는 **F2** 키를 클릭합니다.
3. **Delete**를 선택한 후 **OK**를 클릭합니다.



고급 모드

설정 모드 스위치 또는 F7 기능 키를 누르면 EZ 모드와 고급 모드 사이에서 전환할 수 있습니다.



- **BIOS 메뉴 선택** - 다음과 같은 옵션이 제공됩니다.
 - **SETTINGS(설정)** - 이 메뉴를 사용하여 칩셋 및 부팅 장치에 대한 설정을 지정할 수 있습니다.
 - **OC(오버클로킹)** - 이 메뉴를 사용하여 클럭 및 전압을 조정할 수 있습니다. 클럭이 높아지면 성능이 향상됩니다.
 - **M-FLASH(M-플래시)** - 이 메뉴는 USB 플래시 드라이브로 BIOS(바이오스)를 업데이트하는 방법을 제공합니다.
 - **OC PROFILE(OC 프로필)** - 이 메뉴는 오버클로킹 프로파일을 설정하는 데 사용됩니다.
 - **HARDWARE MONITOR(하드웨어 모니터)** - 이 메뉴는 팬 속도를 설정하고 시스템 전압을 모니터링하는 데 사용됩니다.
 - **BOARD EXPLORER(보드 탐색기)** - 이 메뉴는 메인보드에 설치된 장치의 정보를 제공합니다.
- **메뉴 디스플레이** - 이 메뉴는 BIOS 설정 및 구성 정보를 제공합니다.

OC 메뉴

이 메뉴를 사용하여 오버클로킹에 대한 주파수 및 전압을 구성할 수 있습니다. 높은 주파수와 전압은 오버클로킹 기능에 도움이 될 수 있지만 시스템이 불안정해질 수 있습니다.



중요사항

- 이 항목은 고급 사용자만을 위한 항목입니다.
- 오버클로킹은 보증하지 않습니다. 부적절하게 작동하였을 경우 보증이 무효화 되며 컴퓨터 하드웨어가 심각하게 손상될 수 있습니다.
- 오버클로킹에 익숙하지 않은 경우, 보다 쉽게 오버클로킹하려면 **GAME BOOST** 기능을 사용할 것을 권장합니다.
- OC 메뉴의 BIOS 항목은 프로세서에 따라 다릅니다.

▶ OC Explore Mode [Normal]

이 항목을 활성화 또는 비활성화하여 OC 설정의 일반 또는 고급 버전을 나타냅니다.

[Normal] 일반 OC 설정을 제공합니다.

[Expert] 고급 OC 설정을 제공하여 BIOS를 구성합니다.

참조: * 로 고급 모드의 OC 설정을 표시합니다.

▶ CPU Ratio Apply Mode [All Core]*

CPU 비율을 위해 적용 모드를 설정합니다. 이 항목은 **Turbo Boost**를 지원하는 CPU가 설치된 경우에만 나타납니다.

▶ CPU Ratio [Auto]

이 항목을 사용하여 CPU의 클럭 속도를 결정하는 CPU 배율을 설정합니다. 이 항목은 **CPU Ratio Apply Mode(비율 적용 모드)**가 **All Core**로 설정된 경우에만 나타납니다.

▶ Adjusted CPU Frequency

이 항목은 조정된 CPU 주파수를 표시합니다. 읽기 전용입니다.

▶ Advanced CPU Configuration

Enter를 눌러 서브 메뉴를 시작합니다. 사용자는 CPU 전원/전류에 대한 한도를 설정할 수 있습니다. 한도를 변경한 후 시스템이 불안정해지거나 부팅이 불가능해질 수 있으니, 그럴 경우 CMOS 데이터를 지우고 기본 설정을 복원하세요.

▶ CPU Ratio Offset When Running AVX [Auto]

CPU 코어 비율을 낮추도록 오프셋 값을 설정합니다. AVX 지침을 실행할 때 방열에 도움이 될 수 있습니다. 자동으로 설정하면 BIOS가 자동으로 이 기능을 구성합니다. 설치된 CPU가 이 기능을 지원할 때만 나타납니다.

▶ Ring Ratio [Auto]

이 항목을 사용하여 링 비율을 설정할 수 있습니다. 유효한 값의 범위는 설치된 CPU에 따라 달라집니다.

▶ Adjusted Ring Frequency

이 항목은 조정된 통합 그래픽 주파수를 표시합니다. 읽기 전용입니다.

▶ GT Ratio [Auto]

이 항목을 사용하여 통합 그래픽 비율을 설정할 수 있습니다. 유효한 값의 범위는 설치된 CPU에 따라 달라집니다.

▶ Adjusted GT Frequency

이 항목은 조정된 통합 그래픽 주파수를 표시합니다. 읽기 전용입니다.

▶ Extreme Memory Profile (XMP) [Disabled]

XMP(Extreme Memory Profile)는 메모리 모듈을 사용하는 오버클로킹 기술입니다. XMP를 활성화하거나 메모리 모듈의 프로파일을 선택하여 메모리를 오버클로킹할 수 있습니다. 이 항목은 XMP 기술을 지원하는 메모리 모듈이 설치된 경우 사용할 수 있습니다.

▶ Memory Try It ! [Disabled]

이 기능은 최적의 메모리 프리셋을 선택하여 메모리 호환성 또는 성능을 향상시킵니다.

▶ DRAM Timing Mode [Link]

메모리 타이밍 모드를 선택합니다.

[Link] 이 항목에서 모든 메모리 채널에 대한 DRAM 타이밍을 구성할 수 있습니다.

[UnLink] 이 항목에서 해당 메모리 채널에 대한 DRAM 타이밍을 구성할 수 있습니다.

▶ Advanced DRAM Configuration

Enter를 눌러 서브 메뉴를 시작합니다. 사용자는 메모리의 각 채널에 대해 메모리 타이밍을 설정할 수 있습니다. 메모리 타이밍 설정을 변경한 후 시스템이 불안정하거나 부팅되지 않을 수도 있으니 그럴 경우, CMOS 데이터를 삭제하고 기본 설정을 복원하십시오. (CMOS 클리어 점퍼/버튼 부분의 내용을 참조하여 CMOS 데이터를 삭제하고 BIOS에서 기본 설정을 로드하십시오.)

▶ Memory Fast Boot [Auto] *

이 항목을 사용하여 모든 부팅 시마다 메모리가 초기화되고 트레이닝하는 기능을 활성화 또는 비활성화할 수 있습니다.

[Auto] 이 설정은 BIOS에서 자동으로 구성됩니다.

[Enabled] 시스템은 메모리에 대한 처음 설정의 기록들과 트레이닝을 완벽히 유지합니다. 따라서 부팅 시 시스템 부팅 시간을 단축하기 위해 메모리가 초기화되거나 트레이닝하지 않습니다.

[Disabled] 모든 부팅 시마다 메모리가 초기화되고 트레이닝됩니다.

[Training] 메모리는 부팅할 때마다 트레이닝될 것입니다.

▶ DigitALL Power sub-menu

Enter를 눌러 서브 메뉴를 시작합니다. 서브 메뉴에서 CPU의 전압/전류/온도에 대한 보호 조건을 설정할 수 있습니다.

▶ CPU Core Voltage Monitor [VCC Sense]

CPU 코어 전압의 모니터 소스를 선택하십시오.

▶ CPU Voltages control [Auto]

이 옵션 항목을 사용하여 CPU 전압을 설정할 수 있습니다. Auto(자동)로 설정하면 BIOS는 이 설정을 자동으로 구성하며 수동으로 설정할 수도 있습니다.

▶ **DRAM Voltages control [Auto]**

이 옵션 항목을 사용하여 메모리와 관련된 전압을 설정할 수 있습니다. **Auto(자동)**로 설정하면 BIOS는 이 설정을 자동으로 구성하며 수동으로 설정할 수도 있습니다.

▶ **CPU Memory Changed Detect [Enabled]***

이 기능을 활성화 또는 비활성화하여 메모리가 교체되었을 경우, 시스템 부팅시 경고 메시지가 나타날지를 결정합니다.

[Enabled] 부팅시 경고 메시지가 나타나며 새 장치에 필요한 기본 값을 로드해야 합니다.

[Disabled] 이 기능을 비활성화하는 동시에 현재 BIOS 설정을 유지합니다.

▶ **CPU Specifications sub-menu**

Enter를 눌러 서브 메뉴를 시작합니다. 이 서브 메뉴는 설치된 CPU의 정보를 표시하며 읽기 전용입니다. 사용자는 언제든지 [F4]키를 눌러 정보 메뉴에 액세스할 수 있습니다.(읽기 전용)

▶ **MEMORY-Z sub-menu**

Enter를 눌러 서브 메뉴를 시작합니다. 이 서브 메뉴는 설치된 메모리의 모든 설정과 타이밍을 표시합니다.사용자는 언제든지 [F5]키를 눌러 정보 메뉴에 액세스할 수 있습니다.

▶ **CPU Features sub-menu**

Enter를 눌러 서브 메뉴를 시작합니다. CPU 기능 및 기술을 사용하거나 사용하지 않도록 설정하여 CPU를 보호하고 시스템 성능을 향상시킬 수 있습니다.

目錄

安全說明.....	3
主機板規格.....	4
包裝內容.....	9
背板 I/O	10
網路連接埠 LED 燈狀態表	10
音效連接埠設置	10
Realtek 音效控制台	11
元件總覽.....	13
處理器腳座.....	14
DIMM 插槽	15
PCI_E1~4: PCIe 擴充插槽	16
SATA1~6: SATA 6Gb/s 插孔	16
M2_1~2: M.2 插槽 (M 鍵)	17
JFP1, JFP2: 系統面板接頭.....	19
JAUD1: 前置音效插孔.....	19
CPU_PWR1, ATX_PWR1: 電源接頭	20
JUSB1: USB 3.2 Gen 1 5Gbps Type-C 接頭	21
JUSB2: USB 3.2 Gen 1 5Gbps 接頭.....	21
JUSB3~4: USB 2.0 接頭	22
JTPM1: TPM 模組接頭	22
CPU_FAN1, PUMP_FAN1, SYS_FAN1~6: 風扇電源接頭.....	23
JCI1: 機殼開啟接頭.....	24
JBAT1: 清除 CMOS (重置 BIOS) 功能跳線	25
JTBT1: Thunderbolt 擴充卡接頭	25
JRTD3: Intel RTD3 接頭.....	25
EZ 偵錯 LED 指示燈	26
LED_SW1: EZ LED 指示燈控制	26
JRGB1~2: RGB LED 接頭.....	27
JRAINBOW1~2: 可定址 RGB LED 接頭	28
安裝作業系統、驅動程式、及工具軟體.....	29
安裝 Windows® 10.....	29
安裝驅動程式	29
安裝工具軟體	29

UEFI BIOS	30
BIOS 設定.....	31
進入 BIOS 設定.....	31
重設 BIOS.....	32
更新 BIOS.....	32
EZ 模式.....	34
進階模式.....	37
OC 功能表.....	38

安全說明

- 本包裝內所含的組件可能因靜電 (ESD) 受到損壞。請務必依循以下指示，以確保能成功組裝電腦。
- 請確定所有組件均確實連接妥善。如有鬆脫，可能會造成電腦無法識別該組件或無法啟動電腦。
- 拿取主機板時，請抓主機板的邊緣，以免碰觸到較易損壞的組件。
- 拿取主機板時，建議您戴靜電手環，以免產生靜電損壞主機板。若無靜電手環，請先觸摸其他金屬物品以讓自身放電，再碰觸主機板。
- 若未安裝主機板，請務必將其存放於靜電屏蔽的容器中或置於防靜電桌墊上。
- 開機之前，請先確認主機板上方或機殼內，無任何鬆脫的螺絲或其他金屬組件。
- 安裝完成再開機，以免損壞組件或傷到使用者。以免損壞組件或傷到使用者。
- 若在安裝步驟中需要任何協助，請與通過認證的電腦工程師聯繫。
- 在安裝或移除任何組件前，請務必先將電源供應器關閉，並將電源線由插座拔除。
- 請妥善保存本使用手冊，以便日後參照。
- 務必讓本主機板遠離潮濕與濕氣。
- 將電源供應器連接到插座前，請先確認電源插座供電之伏特數與電源供應器標示的數值相同。
- 請將電源線纜放置於不會受到踩踏的位置，並請不要將任何物體擺放於電源線纜之上。
- 請務必留意主機板所發出的任何警語或警示。
- 若發生以下任何情況，請將主機板送交服務人員進行檢查：
 - 液體滲入電腦。
 - 主機板暴露於潮濕環境。
 - 主機板運作異常，或無法依使用手冊讓主機板回復正常運作。
 - 主機板摔落且受損。
 - 主機板出現明顯破損。
- 請勿將本主機板放置於 60°C (140°F) 以上的環境，否則主機板可能損壞。

主機板規格

支援處理器	支援 LGA 1200 架構的第 10 代 Intel® Core™ / Pentium® Gold / Celeron® 處理器* * 請造訪 www.intel.com 網站,以了解詳細的相容資訊。 * 當使用 F SKU 處理器時,內建顯示卡輸出被禁用。
晶片組	Intel® B460 晶片組
支援記憶體	<ul style="list-style-type: none">• 4 條 DDR4 插槽, 支援總合最高 128GB*• Intel® Core™ i7/ i9<ul style="list-style-type: none">▪ 支援高達 DDR4 2933 MHz• Intel® Core™ i5 以下<ul style="list-style-type: none">▪ 支援高達 DDR4 2666 MHz• 支援雙通道模式• 支援 non-ECC, 無緩衝記憶體• 支援 Intel® Extreme Memory Profile (XMP) <p>* 請造訪www.msi.com網站, 以了解詳細的記憶體相容資訊。</p>
擴充插槽	<ul style="list-style-type: none">• 1 個 PCIe 3.0 x16 插槽 (源於 CPU, PCI_E1), 支援 x16 模式• 1 個 PCIe 3.0 x16 插槽 (源於 PCH, PCI_E3), 支援 x4 模式*• 2 個 PCIe 3.0 x1 插槽 (源於 PCH) <p>* 當 M.2 SSD 安裝到 M2_2 插槽中, PCI_E3 將不可用。</p>
內建顯示卡	<ul style="list-style-type: none">• 1 個 HDMI 連接埠, 支援最高解析度 4096x2160 @30Hz• 1 個 DisplayPort 連接埠, 支援最高解析度 4096x2304 @60Hz
音效	<ul style="list-style-type: none">• Realtek® ALC1200 解碼晶片<ul style="list-style-type: none">▪ 7.1 聲道高音質音效▪ 支援 S/PDIF 輸出
網路	<ul style="list-style-type: none">• 1 個 Realtek® RTL8125B 2.5Gbps 網路控制器• 1 個 Intel® I219V 1Gbps 網路控制器

接下頁

承前頁

儲存	<p>Intel® B460 晶片組</p> <ul style="list-style-type: none">• 6 個 SATA 6Gb/s 連接埠*• 2 個 M.2 插槽 (M 鍵)<ul style="list-style-type: none">▪ M2_1 最高可支援 PCIe 3.0 x4 和 SATA 6Gb/s, 2242/ 2260/ 2280/ 22110 規格儲存裝置*▪ M2_2 最高可支援 PCIe 3.0 x4, 2242/ 2260/ 2280 規格儲存裝置**▪ Intel® Optane™ Memory 技術**▪ 支援以 Intel Core™ 處理器創建 Intel® 智慧型反應技術 <p>* 當 M2_1 插槽裝有 M.2 SATA SSD 時, SATA1 連接埠將不可用。 ** 當 M2_2 插槽裝有 M.2 SSD 時, PCI_E3 連接埠將不可用。 *** 在使用 Intel® Optane™ 內存模組之前, 請確保已將驅動程序和 BIOS 更新為 MSI 網站上的最新版本。</p>
RAID	<ul style="list-style-type: none">• Intel® B460 晶片組<ul style="list-style-type: none">▪ 支援以 SATA 儲存裝置創建 RAID 0, RAID 1, RAID 5 和 RAID 10
USB 連接埠	<ul style="list-style-type: none">• Intel® B460 晶片組<ul style="list-style-type: none">▪ 6 個 USB 3.2 Gen 1 5Gbps 連接埠 (4 個 Type-A 連接埠位於背板, 2 個連接埠透過板載 USB 3.2 Gen 1 接頭)▪ 1 個 USB 3.2 Gen 1 5Gbps 連接埠 (1 個 Type-C 板載接頭)▪ 6 個 USB 2.0 連接埠 (2 個 Type-A 連接埠位於背板, 4 個連接埠透過板載 USB 2.0 接頭)• ASMedia® 3241 晶片組<ul style="list-style-type: none">▪ 1 個 USB 3.2 Gen 2x2 20Gbps Type-C 連接埠位於背板

接下頁

承前頁

<p>背板接頭</p>	<ul style="list-style-type: none"> • 1 個 PS/2 鍵盤/滑鼠複合連接埠 • 2 個 USB 2.0 Type-A 連接埠 • 1 個 DisplayPort 連接埠 • 1 個 HDMI 連接埠 • 1 個 USB 3.2 Gen 2x2 20Gbps Type-C 連接埠 • 2 個 LAN (RJ45) 連接埠 • 4 個 USB 3.2 Gen 1 5Gbps Type-A 連接埠 • 5 個音效接頭 • 1 個 Optical S/PDIF OUT 連接埠
<p>內建接頭</p>	<ul style="list-style-type: none"> • 1 個 24-pin ATX 主電源接頭 • 1 個 8-pin ATX 12V 電源接頭 • 6 個 SATA 6Gb/s 接頭 • 2 個 M.2 插槽 (M 鍵) • 1 個 USB 3.2 Gen 1 5Gbps Type-C 連接埠 • 1 個 USB 3.2 Gen 1 5Gbps 接頭 (可另支援 2 個 USB 3.2 Gen 1 5Gbps 連接埠) • 2 個 USB 2.0 接頭 (可另支援 4 個 USB 2.0 連接埠) • 1 個 4-pin CPU 風扇接頭 • 1 個 4-pin 水冷接頭 • 6 個 4-pin 系統風扇接頭 • 1 個面板音效接頭 • 2 個系統面板接頭 • 1 個機殼開啟接頭 • 2 個 4-pin RGB LED 接頭 • 2 個 3-pin RAINBOW LED 接頭 • 1 個 TPM 模組接頭 • 1 個清除 CMOS 功能跳線 • 1 個 TBT 接頭* • 1 個 RTD3 接頭 <p>* Thunderbolt 卡需支援 RTD3°</p>
<p>LED 功能</p>	<ul style="list-style-type: none"> • 1 個 EZ LED 控制開關 • 4 個 EZ 偵錯 LED 指示燈
<p>I/O 控制器</p>	<p>NUVOTON NCT6687 控制晶片</p>

接下頁

承前頁

硬體監控	<ul style="list-style-type: none">• CPU/ 系統溫度偵測• CPU/ 系統風扇速度偵測• CPU/ 系統風扇速度控制
尺寸	<ul style="list-style-type: none">• ATX• 12 x 9.6 英吋 (30.5 x 24.4 公分)
BIOS 功能	<ul style="list-style-type: none">• 1 個 128 Mb flash• UEFI AMI BIOS• ACPI 6.2, SMBIOS 3.2• 多國語
軟體	<ul style="list-style-type: none">• 驅動程式• DRAGON CENTER• MSI APP Player (BlueStacks)• Open Broadcaster Software (OBS)• CPU-Z MSI GAMING• Intel® Extreme Tuning Utility• Google Chrome™、Google 工具列、Google 雲端硬碟• Norton™ Internet Security Solution
Dragon Center 特色	<ul style="list-style-type: none">• Gaming Mode• Gaming Hotkey• LAN Manager• Mystic Light• User Scenario• Hardware Monitor• True Color• Live Update• DPC Latency Tuner• Speed Up• Smart Tool• Super Charger <div data-bbox="657 1027 785 1155"></div> <p data-bbox="653 1177 923 1232">請連結至 http://download.msi.com/manual/mb/DRAGONCENTER2.pdf 以查閱更多資訊。</p>

接下頁

專屬特色

- 音效
 - 音皇技術
- 網路
 - 2.5G 網路
 - 網路頻寬管理軟體
- 散熱
 - M.2 Shield Frozr
 - 水冷風扇
 - 智慧風扇控制
- LED 燈
 - 炫彩效果
 - 炫彩效果延伸接頭 (RAINBOW/RGB)
 - 炫彩效果同步技術
 - EZ LED 指示燈控制
 - 除錯 LED 指示燈
- 效能
 - DDR4 加速引擎
 - 核心加速引擎
 - Lightning USB 20G
 - 前置 USB Type-C
- 保護
 - PCI-E 鋼鐵裝甲
 - 預先裝設的 IO 擋板
- 體驗
 - Dragon Center
 - 第五代圖形化 BIOS

包裝內容

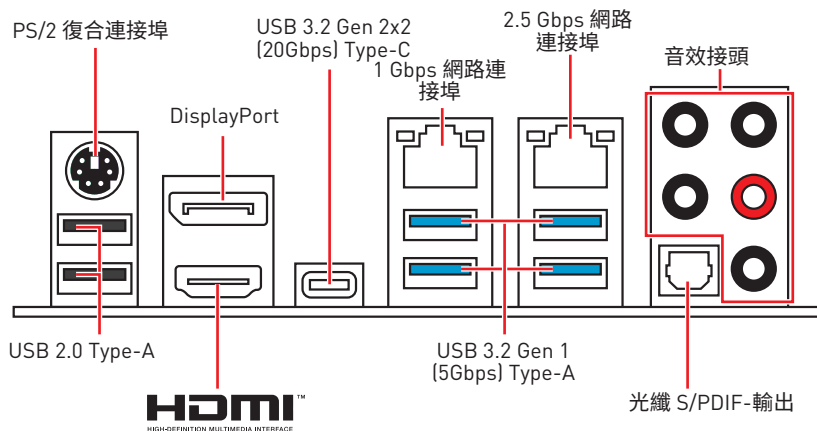
請檢查您的主機板包裝的內容，應包含：

主機板	MAG B460 TOMAHAWK	
連接線	SATA 6G 連接線 (2 條/包)	1
配件	M.2 螺絲 (3 件/包)	1
	機殼銘牌	1
	產品註冊卡	1
軟體	驅動程式 DVD	1
印刷文件	使用說明書	1
	快速安裝指引	1



如果上述任何物品有損壞或遺失的情況，請與您當地的零售商聯繫。

背板 I/O



網路連接埠 LED 燈狀態表

連線/工作燈號		網路連接埠 LED 燈	速度燈號		
狀態	說明		狀態	1 Gbps 網路	2.5 Gbps 網路
關閉	未連線		關閉	10 Mbps	10 Mbps
黃燈	已連線		綠燈	100 Mbps/ 1 Gbps	100 Mbps/ 1 Gbps
閃爍	資料傳輸中		橘燈	不可用	2.5 Gbps

音效連接埠設置

音效連接埠	聲道			
	2	4	6	8
中置/低音輸出			●	●
後置喇叭輸出		●	●	●
音源輸入/側邊喇叭輸出				●
音源輸出/前置喇叭輸出	●	●	●	●
麥克風輸入				

(●: 已連接, 空白: 未連接)

Realtek 音效控制台

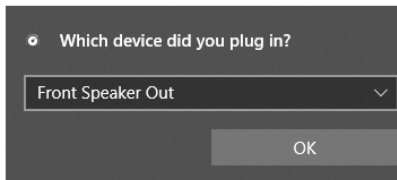
安裝 Realtek 音效控制台後，您可以使用它來更改聲音設定以獲得更好的聲音體驗。



- **裝置選擇** - 讓您選擇音效輸出源，以變更相關設定。勾選符號表示該裝置為預設。
- **應用程式增強** - 這些設定提供輸出及輸入裝置，產生預期音效的完整說明。
- **主音量** - 拖曳調整桿以控制您插入前面板或背板的喇叭的音量或左右平衡。
- **插孔狀態** - 以圖示表示目前已連接到電腦的音效裝置。
- **接頭設定** - 調整連接設定。

自動彈出對話視窗

將裝置插入音效接頭時，系統會自動彈出對話視窗，請選擇您所接上的裝置。

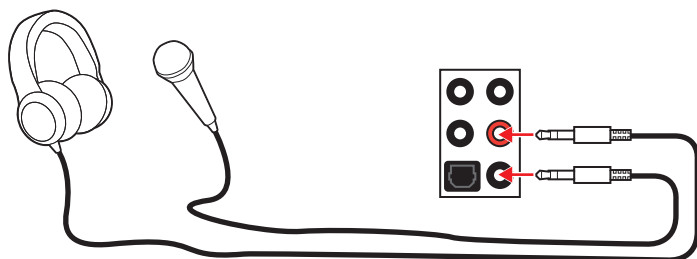


如下一個頁面所顯示的，各個接頭會對應到其預設的設定值。

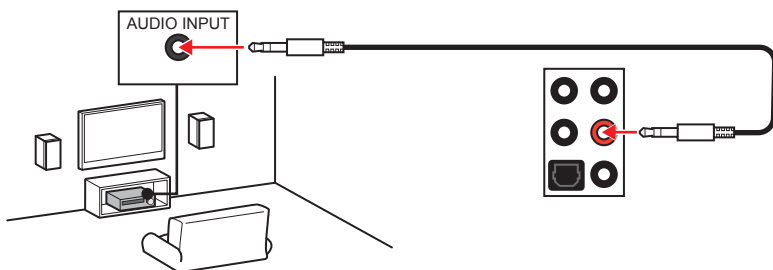


以上圖片僅供參考，可能與您購買的產品有所差異。

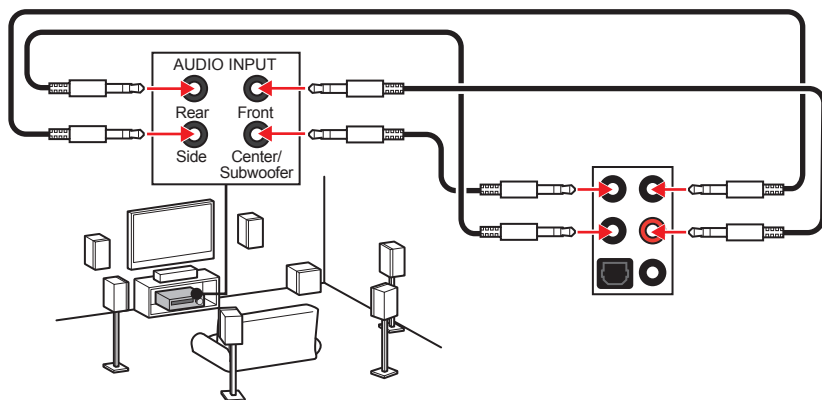
連接耳機與麥克風插孔示意圖



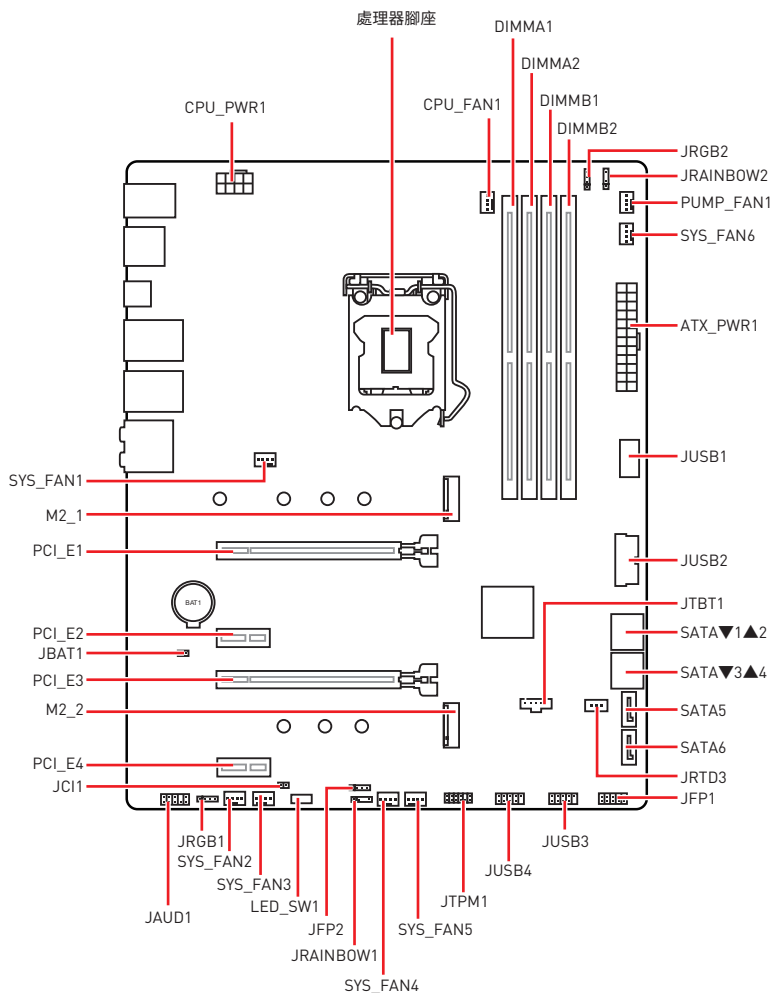
連接立體聲喇叭插孔示意圖



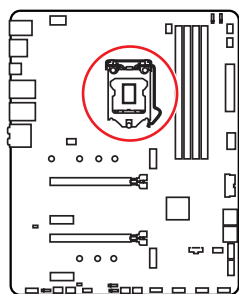
連接 7.1 聲道喇叭插孔示意圖



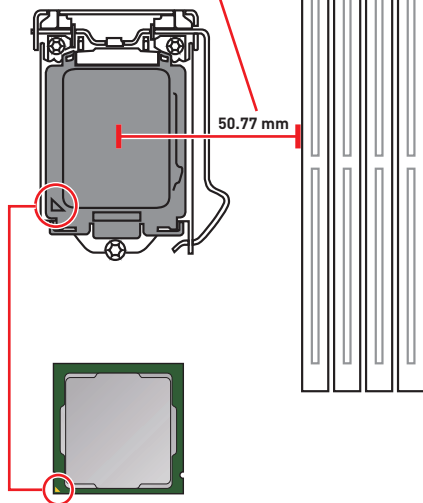
元件總覽



處理器腳座



CPU 中央點到最靠近的 DIMM 插槽之距離



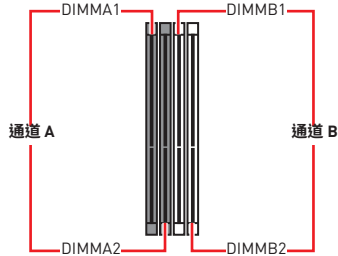
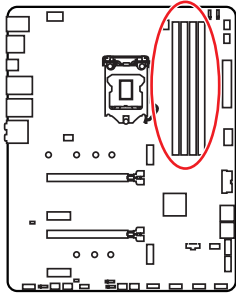
LGA 1200 CPU 介紹

LGA 1200 CPU 正面有兩個凹槽與一個金色三角形，以利處理器能正確地裝入主機板的腳座。金色三角形即是第一腳位所在的位置。

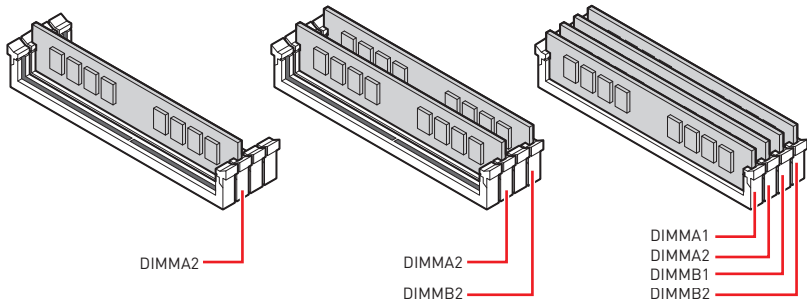
⚠ 重要

- 請務必先將電源線由電源插座移除，再安裝或取下中央處理器。
- CPU 安裝後，仍請將 CPU 腳座的保護蓋留存。日後若需送修主機板，腳座上必須裝有保護蓋，才符合微星的 Return Merchandise Authorization (RMA) 要求，以保固維修主機板。
- 安裝 CPU 後，請務必在其上裝散熱器。CPU 須裝有散熱器才能避免過熱，並維持系統穩定。
- 務必確認 CPU 已與散熱器緊密地結合，再啟動電腦系統。
- 溫度過高會嚴重損壞 CPU 和系統。請確保散熱器正常運作，以免 CPU 過熱。請於 CPU 與散熱器間均勻塗抹散熱膏或貼上耐溫膠帶以加強散熱。
- 若 CPU 未安裝在主機板上，請務必將 CPU 腳座的保護蓋裝回腳座上。
- 如果您選購的是獨立包裝的處理器與散熱器/風扇，請參閱散熱器/風扇包裝內的文件，以了解詳細的安裝方式。
- 即使本主機板設計為可超頻運作，但在將其調整為超頻運作時，請確認系統零組件可承受此異常設定。任何在非本產品規格建議下的操作，我們均不保證其造成的損壞及操作時的風險。

DIMM 插槽



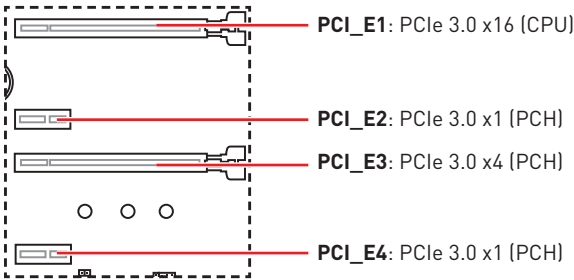
記憶體模組安裝建議



重要

- 安裝記憶體時，請務必由 **DIMMA2** 插槽開始安裝。
- 為確保系統穩定，雙通道模式，請務必安裝相同規格、容量、密度的記憶體模組。
- 記憶體頻率是依照其 Serial Presence Detect (SPD) 運作。在超頻過程中，部分記憶體模組，可能會比其標示頻率低的數值運作；如果您希望記憶體模組以符合其標示頻率或更高的頻率運作，請進入 BIOS 選單並找到 **DRAM Frequency** 項目設定。
- 要在主機板的所有記憶體插槽都裝上記憶體模組，或是要進行超頻時，建議您使用更高效的記憶體散熱系統。
- 超頻時，記憶體模組之穩定性與相容性，將取決於您所安裝的 CPU 及裝置。
- 請連結 www.msi.com 以查閱相容記憶體的資訊。

PCI_E1~4: PCIe 擴充插槽

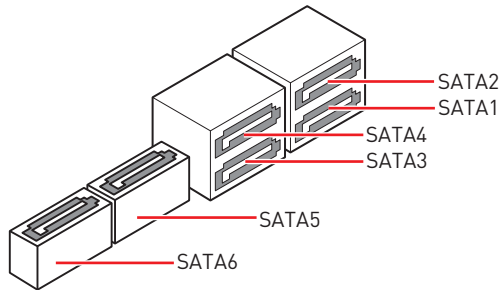
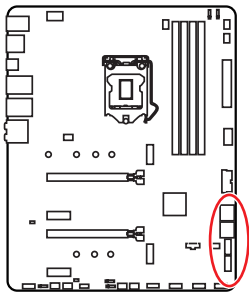


重要

- 當 M.2 SSD 安裝到 M2_2 插槽中，PCI_E3 將不可用。
- 若安裝大型顯卡，需要使用工具如 **MSI Gaming Series 顯卡支撐架**，以支撐其重量和防止插槽變形。
- 如只安裝一張 PCIe x16 擴充卡，建議安裝到 **PCI_E1** 插槽，以獲得最佳效能。
- 新增或移除擴充卡時，請確認已關機並拔除電源線。請詳讀擴充卡說明文件，檢查使用擴充卡所需變更的軟硬體設定。

SATA1~6: SATA 6Gb/s 插孔

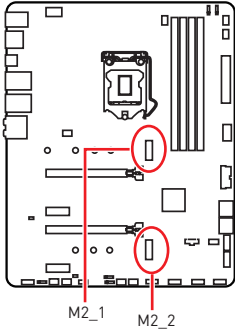
這些插孔是 SATA 6Gb/s 介面連接埠。每個插孔皆可連接一個 SATA 裝置。



重要

- SATA 排線不可摺疊超過 90 度，以免傳輸資料時產生錯誤。
- SATA 排線兩端接頭外觀相似，建議將平頭端接到主機板，以節省空間。
- 當 M2_1 插槽裝有 M.2 SATA SSD 時，SATA1 連接埠將不可用。

M2_1~2: M.2 插槽 (M 鍵)



示範影片

觀看影片，瞭解如何安裝 M.2 模組。

<http://youtu.be/JCTFABytrYA>

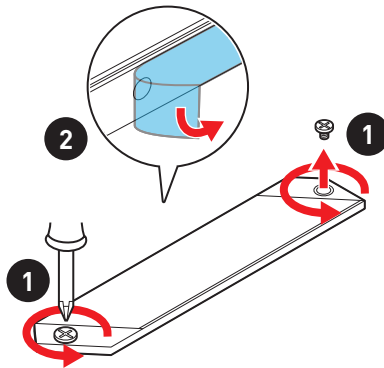


重要

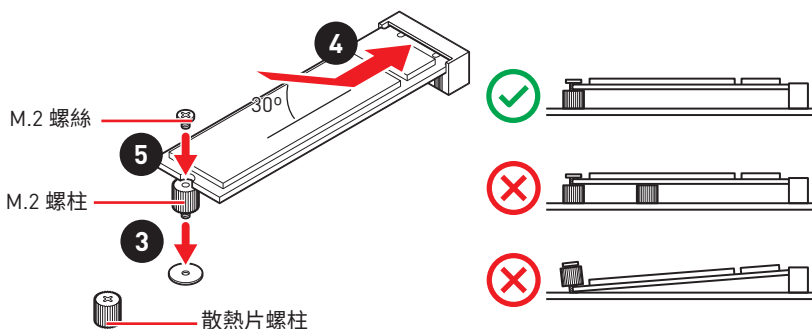
- Intel® RST 僅支援 PCIe M.2 SSD 搭配 UEFI ROM (僅 M2_2 插槽)。
- 支援 Intel® Optane™ Memory 技術 (僅 M2_2 插槽)。

M2_1 插槽安裝

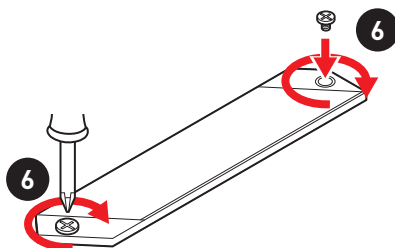
1. 將 M.2 SHIELD FROZR 散熱片的螺絲取下。
2. 掀起 M.2 SHIELD FROZR 散熱片，並取下導熱墊上的保護膠片。



- 請依照 M.2 SSD 的長度來移動 M.2 螺柱並鎖上，或如果您的 M.2 SSD 長度與 M.2 散熱片一樣長，請移除 M.2 螺柱以保護 M.2 SSD 設備。
- 將 M.2 SSD 以 30 度角插入 M.2 插槽。
- 用 M.2 螺絲將 M.2 SSD 裝置鎖上，或如果您在步驟三中移除 M.2 螺柱，請跳過此步驟。



- 將 M.2 SHIELD FROZR 散熱片放回原位並以螺絲鎖上。

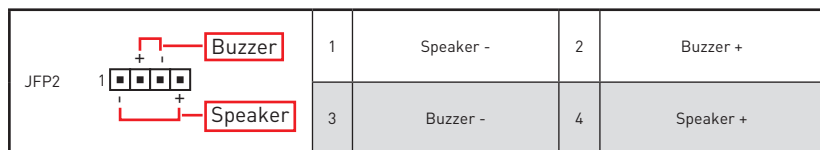
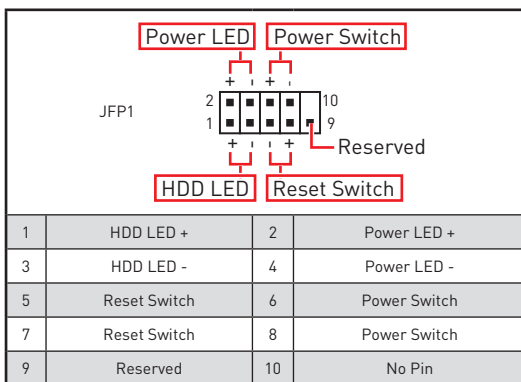
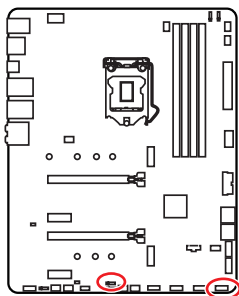


M2_2 插槽安裝

請您按照步驟三、四和五以安裝 M.2 SSD 到 M2_2 插槽中。

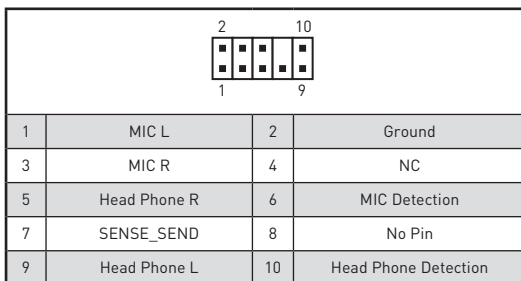
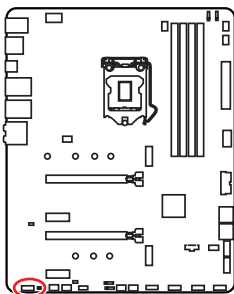
JFP1, JFP2: 系統面板接頭

這些接頭用於連接前面板的開關和 LED 指示燈。



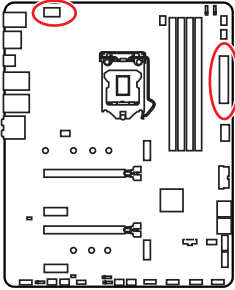
JAUD1: 前置音效插孔

本插孔用於連接前面板的音訊插孔。



CPU_PWR1, ATX_PWR1: 電源接頭

這些接頭能讓您連接 ATX 電源供應器。



1	Ground	5	+12V
2	Ground	6	+12V
3	Ground	7	+12V
4	Ground	8	+12V

1	+3.3V	13	+3.3V
2	+3.3V	14	-12V
3	Ground	15	Ground
4	+5V	16	PS-ON#
5	Ground	17	Ground
6	+5V	18	Ground
7	Ground	19	Ground
8	PWR OK	20	Res
9	5VSB	21	+5V
10	+12V	22	+5V
11	+12V	23	+5V
12	+3.3V	24	Ground

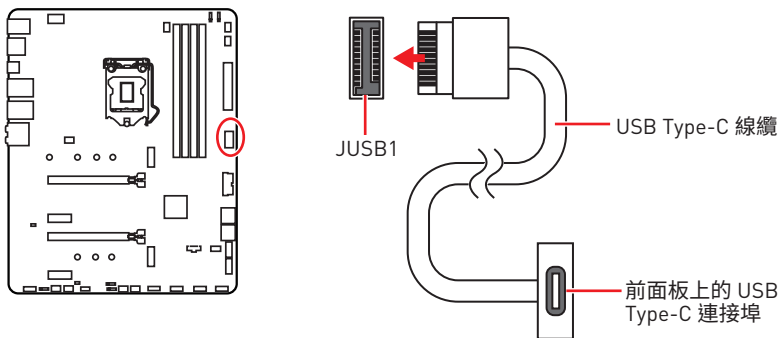


重要

請確認所有電源線皆已穩固連接到正確的 ATX 電源供應器，確保主機板穩定操作。

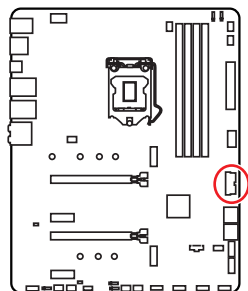
JUSB1: USB 3.2 Gen 1 5Gbps Type-C 接頭

這個接頭可供連接前面板上的 USB 3.2 Gen1 5Gbps Type-C 接頭，這個接頭具有防呆設計。請務必以相應的方向連接線纜。



JUSB2: USB 3.2 Gen 1 5Gbps 接頭

此接頭用於連接前面板的 USB 3.2 Gen 1 5Gbps 連接埠。



1	Power	11	USB2.0+
2	USB3_RX_DN	12	USB2.0-
3	USB3_RX_DP	13	Ground
4	Ground	14	USB3_TX_C_DP
5	USB3_TX_C_DN	15	USB3_TX_C_DN
6	USB3_TX_C_DP	16	Ground
7	Ground	17	USB3_RX_DP
8	USB2.0-	18	USB3_RX_DN
9	USB2.0+	19	Power
10	Ground	20	No Pin

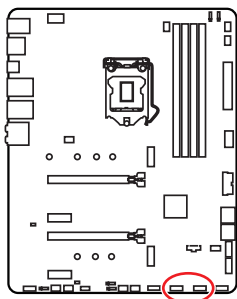


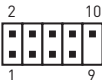
重要

請注意，電源和接地針腳必須正確連接，以免造成組件受損。

JUSB3~4: USB 2.0 接頭

這些接頭用於連接前面板的 USB 2.0 連接埠。



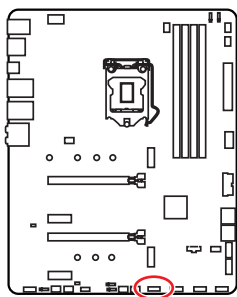
			
1	VCC	2	VCC
3	USB0-	4	USB1-
5	USB0+	6	USB1+
7	Ground	8	Ground
9	No Pin	10	NC

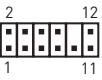
重要

- 請注意，電源和接地針腳必須正確連接，以免造成組件受損。
- 如要以此 USB 連接埠對 iPad、iPhone 及 iPod 充電，請安裝 MSI® DRAGON CENTER 工具軟體。

JTPM1: TPM 模組接頭

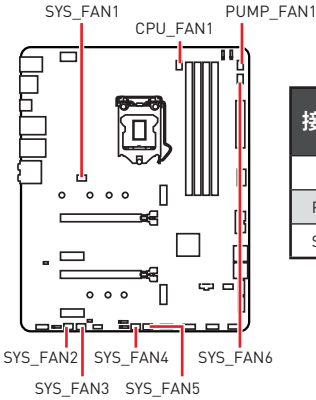
此接頭用於連接可信賴平台模組 (TPM)。請參閱 TPM 安全平台手冊瞭解更多詳情。



			
1	SPI Power	2	SPI Chip Select
3	Master In Slave Out (SPI Data)	4	Master In Slave In (SPI Data)
5	Reserved	6	SPI Clock
7	Ground	8	SPI Reset
9	Reserved	10	No Pin
11	Reserved	12	Interrupt Request

CPU_FAN1, PUMP_FAN1, SYS_FAN1~6: 風扇電源接頭

風扇電源接頭可分為脈寬調變 (PWM) 模式和 DC 模式。PWM 模式風扇插孔提供恆定 12V 輸出，並可透過速度控制訊號調整風扇速度。DC 模式插孔會變更電壓，藉此控制風扇速度。您可以按照以下說明將風扇電源接頭調整為 PWM 或 DC 模式。

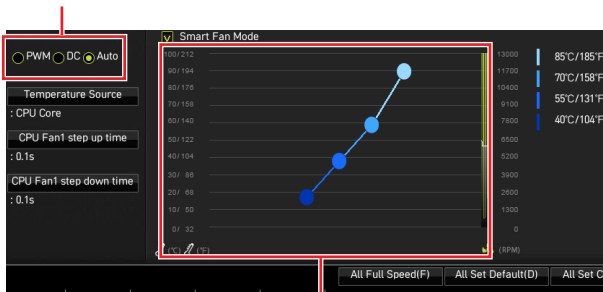


接頭	預設風扇模式	最大電流	最大功率
CPU_FAN1	PWM 模式	2A	24W
PUMP_FAN1	PWM 模式	3A	36W
SYS_FAN1~6	DC 模式	2A	24W

切換風扇模式並調整風扇速度

您可以在 **BIOS > HARDWARE MONITOR** 中切換 PWM 模式和 DC 模式，與調整風扇速度。

選擇 PWM 模式或 DC 模式



風扇速度的漸變點，允許您根據 CPU 溫度調整風扇速度。



重要

在切換 PWM/ DC 模式後，請確保風扇工作正常。

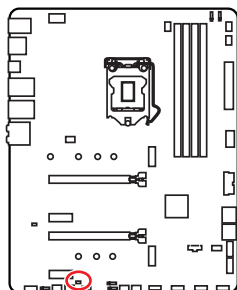
風扇接頭的針腳定義

1 PWM 模式針腳定義			
1	Ground	2	+12V
3	Sense	4	Speed Control Signal

1 DC 模式針腳定義			
1	Ground	2	Voltage Control
3	Sense	4	NC

JCI1: 機殼開啟接頭

此接頭可連接機殼開啟開關排線。



一般
(預設值)



觸動機殼開啟事件

使用機殼開啟偵測器

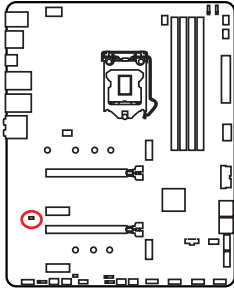
1. 連接 JCI1 插孔和機殼上的機殼開啟開關／感測器。
2. 關閉機殼蓋。
3. 前往 **BIOS > SETTINGS > Security > Chassis Intrusion Configuration**。
4. 將 **Chassis Intrusion** 設定為 **Enabled**。
5. 按下 **F10** 儲存並離開，然後按 **Enter** 鍵選擇 **Yes**。
6. 之後若機殼蓋再次被開啟，電腦啟動後畫面上即會顯示警告訊息。

重設機殼開啟警告

1. 前往 **BIOS > SETTINGS > Security > Chassis Intrusion Configuration**。
2. 將 **Chassis Intrusion** 設定為 **Reset**。
3. 按下 **F10** 儲存並離開，然後按下 **Enter** 鍵選擇 **Yes**。

JBAT1: 清除 CMOS (重置 BIOS) 功能跳線

主機板內建 CMOS 記憶體，是利用主機板上的外接電池來保留系統設定。若要清除系統設定，請將跳線設為清除 CMOS 記憶體。



保留資料
(預設值)



清除 CMOS/
重置 BIOS

重設 BIOS 至預設值

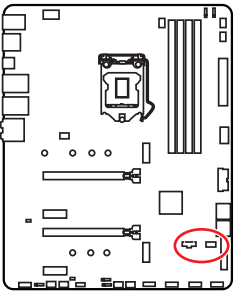
1. 關閉電腦電源並拔除電源線。
2. 使用跳接器蓋讓 JBAT1 短路持續約 5-10 秒。
3. 將跳接器蓋從 JBAT1 上取出。
4. 插入電源線並開啟電腦電源。

JTBT1: Thunderbolt 擴充卡接頭

此接頭可用來連接 Thunderbolt I/O 擴充卡。

JRTD3: Intel RTD3 接頭

此接頭可用來連接支援 RTD3 的 Thunderbolt I/O 擴充卡 RTD3 接頭。

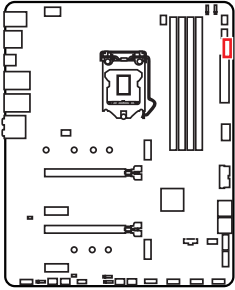


1 JTBT1			
1	FORCE_PWR	2	SCI_EVENT
3	SLP_S3#	4	SLP_S5#
5	Ground		

1 JRTD3			
1	WAKE	2	PWR EN
3	GND		

EZ 偵錯 LED 指示燈

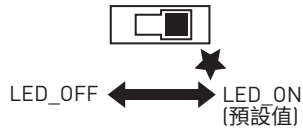
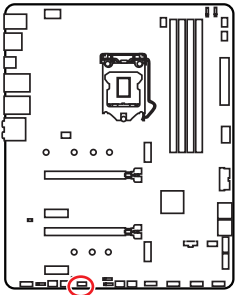
這些 LED 指示燈會表示主機板的偵錯狀態。



- CPU** - 表示未偵測到 CPU 或已故障。
- DRAM** - 表示未偵測到記憶體或已故障。
- VGA** - 表示未偵測到顯示晶片或已故障。
- BOOT** - 表示未偵測到開機裝置或已故障。

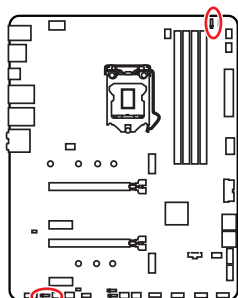
LED_SW1: EZ LED 指示燈控制

此開關用於打開/ 關閉主機板上的所有 LED 指示燈。



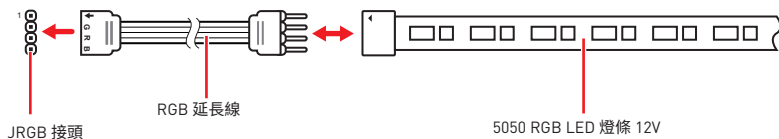
JRGB1~2: RGB LED 接頭

JRGB1 接頭允許您連接 5050 RGB LED 燈條 (12V)。

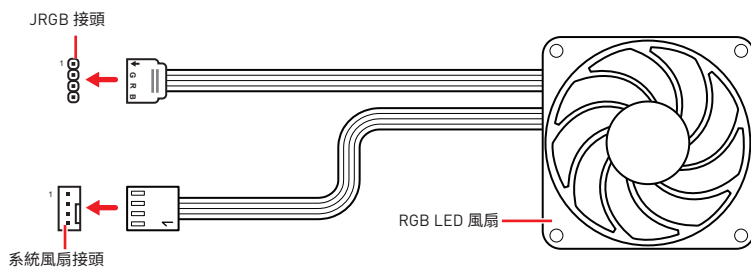


JRGB1		JRGB2	
1	+12V	2	G
3	R	4	B

RGB LED 燈條連接示意圖



RGB LED 風扇連接示意圖

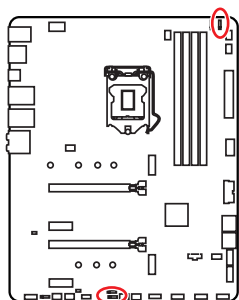


! 重要

- JRGB 接頭支援最長 2 公尺的 5050 RGB LED 燈條 (12V/G/R/B)，最大額定功率為 3A (12V)。
- 進行安裝或拔除 RGB LED 燈條前，請先關閉電源供應器，並將電源線由電源插座移除。
- 請使用 MSI 軟體來控制擴展的 LED 燈條。

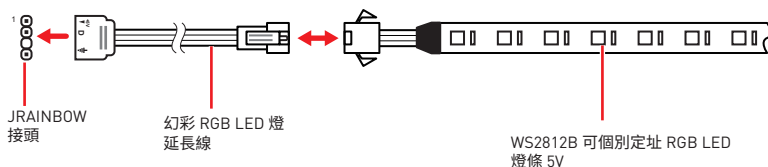
JRAINBOW1~2: 可定址 RGB LED 接頭

JRAINBOW 接頭允許您連接 WS2812B 可定址 RGB LED 燈條 5V。

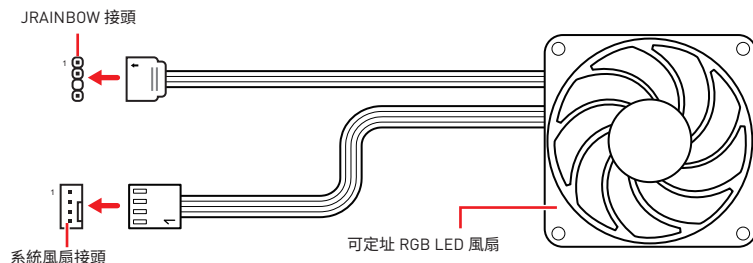


JRAINBOW1		JRAINBOW2	
1	+5V	2	Data
3	No Pin	4	Ground

可定址 RGB LED 燈條連接示意圖



可定址 RGB LED 風扇連接示意圖



警告

請勿連接錯誤類型的 LED 燈條。JRGB 接頭和 JRAINBOW 接頭提供不同的電壓，如誤將 5V LED 燈條連接到 JRGB 接頭，將會造成此 LED 燈條損壞。

重要

- JRAINBOW 接頭最多可支援 75 個 LED WS2812B 可個別定址 RGB LED 燈條 (5V/Data/Ground)，最大額定功率為 3A (5V)。如全部使用 20% 亮度，此接頭支援的 LED 燈條上限則可達 200 個。
- 進行安裝或拔除 RGB LED 燈條前，請先關閉電源供應器，並將電源線由電源插座移除。
- 請使用 MSI 軟體來控制擴展的 LED 燈條。

安裝作業系統、驅動程式，及工具軟體

請至 www.msi.com 下載與更新最新版的工具軟體與驅動程式。

安裝 Windows® 10

1. 啟動電腦。
2. 將含有 Windows® 10 的光碟片或 USB 裝置放入電腦。
3. 按電腦機殼上的**重新啟動**按鈕。
4. 在電腦開機自我測試 (POST) 期間，按 **F11** 鍵進入開機功能表。
5. 在開機功能表中選擇 Windows® 10 安裝磁碟 /USB。
6. 畫面顯示 **Press any key to boot from CD or DVD...** 訊息時，按任意鍵。
7. 依照畫面指示，安裝 Windows® 10。

安裝驅動程式

1. 啟動電腦進入 Windows® 10。
2. 將 MSI® 驅動程式光碟放到光碟機。
3. 按一下**選擇要針對此光碟執行的動作的彈出通知**，然後選擇執行 **DVDSetup.exe** 以打開安裝程式。如果從 Windows 設定面板關閉自動播放功能，仍然可以從 MSI 驅動程式 USB 隨身碟的根路徑手動執行 **DVDSetup.exe**。
4. 安裝程式將在**驅動程式 / 應用軟體**頁面中尋找並列出所有必要的驅動程式。
5. 按一下視窗右下角的**安裝**按鈕。
6. 接著會開始進行驅動程式安裝，完成之後會要求您重新啟動電腦。
7. 按一下**確定**按鈕完成安裝。
8. 重新啟動電腦。

安裝工具軟體

安裝應用程式前，務必完成驅動程式安裝。

1. 如上所述打開安裝程式。
2. 按一下**應用程式**標籤。
3. 選擇您要安裝的應用程式。
4. 按一下視窗右下角的**安裝**按鈕。
5. 接著會開始進行應用程式安裝，完成之後會要求您重新啟動電腦。
6. 按一下**確定**按鈕完成安裝。
7. 重新啟動電腦。

UEFI BIOS

MSI UEFI BIOS 與 UEFI (Unified Extensible Firmware Interface) 結構相容。UEFI 有許多傳統 BIOS 無法實現的新功能和優勢。它未來可完全取代 BIOS。MSI UEFI BIOS 使用 UEFI 作為預設啟動模式，充分利用新晶片組的功能。但是，它仍然有一個 CSM (相容性支援模組) 模式，以與舊的裝置相容。這讓您在過渡期間用 UEFI 相容的裝置替換舊裝置。



重要

除非另有說明，否則本使用者指南中的 BIOS 所指的即是 UEFI BIOS。

UEFI 優勢

- 快速啟動 - UEFI 可直接啟動作業系統，並儲存 BIOS 自檢過程。同時也省去了 POST 期間切換到 CSM 模式的時間。
- 支援超過 2 TB 的硬碟分割區。
- 通過 GUID 分割表 (GPT) 支援四個以上的主分區。
- 支援不限數量的分割區。
- 完全支援新設備 - 新設備可能不提供向後相容性。
- 支援安全啟動 - UEFI 可檢查作業系統的有效性，以確保沒有惡意軟體干預啟動過程。

不相容的 UEFI 情況

- **32 位 Windows 作業系統** - 此主機板僅支援 64 位 Windows 10 作業系統。
- **較舊的顯示卡** - 系統將偵測你的顯示卡。當出現警告訊息 **There is no GOP (Graphics Output protocol) support detected in this graphics card.** 表明此顯示卡中未偵測到 GOP (Graphics Output protocol) 支援。

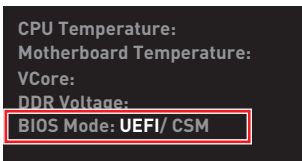


重要

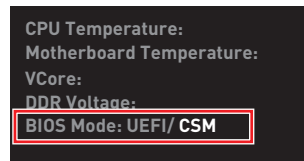
我們建議您使用相容 GOP/UEFI 的顯示卡。

如何檢查 BIOS 模式？

進入 BIOS 後，在畫面上方找到 BIOS 模式。



UEFI 啟動模式



CSM 啟動模式

BIOS 設定

預設值提供最佳效能，可在一般情況下達到系統穩定度。除非您熟悉 BIOS 設定，否則請務必使用預設值，以免系統受損或開機失敗。



重要

- BIOS 項目會持續更新達到更優異的系統效能。因此，說明內容可能會與最新的 BIOS 稍微不同，因此僅供參考。您亦可參閱 **HELP** 取得 BIOS 項目說明。
- 本節的圖片僅供參考，可能與您所購買的產品有所不同。
- BIOS 項目會因安裝的處理器不同而有差異。

進入 BIOS 設定

開機過程中畫面出現按 **Delete** 鍵進入設定功能表，按 **F11** 進入開機功能表時，按 **Delete** 鍵進入設定功能表。

功能鍵

- F1:** 一般說明
- F2:** 添加/刪除收藏項
- F3:** 進入我的最愛功能表
- F4:** 進入 CPU 規格功能表
- F5:** 進入 Memory-Z 功能表
- F6:** 載入最佳化預設值
- F7:** 在高級模式和 EZ 模式之間切換
- F8:** 載入超頻設定檔
- F9:** 儲存超頻設定檔
- F10:** 儲存變更與重設*
- F12:** 拍攝屏幕截圖並將其保存到 USB 隨身碟 (僅 FAT/ FAT32 格式)。
- Ctrl+F:** 進入搜索頁面

* 按下 F10 後，會出現確認視窗提供修改資訊。選擇是或否確認。

重設 BIOS

某些情況下，您可能會需要將 BIOS 復原為出廠預設值，以解決部份特定問題。有多種方法可重設 BIOS：

- 前往 BIOS，然後按 **F6** 載入最佳化預設值。
- 將主機板上的清除 CMOS 功能跳線短路。



重要

在清除 CMOS 數據之前，請確保計算機已關閉。請參閱清除 CMOS 跳線部分以重置 BIOS。

更新 BIOS

以 M-FLASH 更新 BIOS

更新前：

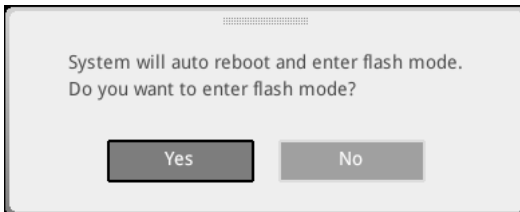
請從 MSI 網站下載符合您主機板型號的最新 BIOS 檔案。然後將 BIOS 檔案存到 USB 隨身碟。

更新 BIOS：

1. 將內含更新檔的 USB 隨身碟插入電腦。
2. 請依下列方式進入更新模式。
 - 重新開機並在 POST 期間按壓 **Ctrl + F5** 按鍵，並點選**確定**以重新啟動系統。

Press <Ctrl+F5> to activate M-Flash for BIOS update.

- 重新開機並在 POST 期間按壓 **Del** 按鍵進入 BIOS，點選 **M-FLASH** 按鈕並點選**確定**以重新啟動系統。



3. 選取一個 BIOS 檔案，以進行 BIOS 更新。
4. 出現提示時，點選 **Yes** 按鈕開始恢復 BIOS。
5. 更新進度 100% 完成後，系統會自動重新啟動。

以 MSI DRAGON CENTER 更新 BIOS

更新前準備：

確保已經安裝網路驅動程式，且已正確設定網際網路連線。

進行更新 BIOS：

1. 安裝並開啟 MSI DRAGON CENTER 並進入 **Support** 頁面。
2. 選取 **Live Update** 並按一下 Advance 按鈕。



3. 按一下 **Scan (掃描)** 按鈕以搜尋最新的 BIOS 檔案。
4. 按一下 **Download (下載)** 圖示，下載並安裝最新的 BIOS 檔案。
5. 按一下 **Next (下一步)**，然後選擇 **In Windows mode**。接著按 **Next (下一步)** 及 **Start (開始)**，就會開始更新 BIOS。
6. 更新進度 100% 完成後，系統會自動重新啟動。

EZ 模式

EZ 模式會提供基本的系統資訊，可進行基本設定。若要配置進階 BIOS 設定，請按設定模式開關或 F7 功能鍵進入進階模式。



• **GAME BOOST** - 點按此按鈕即可開啟或關閉 GAME BOOST 用於超頻。此功能僅在主機板和 CPU 都支援時可用。



重要

啟動 **GAME BOOST** 功能後，請勿對 OC 功能表進行任何變更，也不要載入預設值，以保持最佳效能與系統穩定性。

• **XMP 設定檔** - 允許您選取 XMP 記憶體設定檔用於超頻。此功能僅在系統，記憶體和 CPU 都支援時可用。

• **設定模式開關** - 按此標籤或 F7 鍵，切換進階模式和 EZ 模式。

• **螢幕截圖** - 按此標籤或 F12 鍵，即可拍攝螢幕截圖，並存到 USB 隨身碟（僅限 FAT/FAT32 格式）。

• **搜尋** - 按一下此頁籤或 Ctrl+F 鍵，可進入搜尋頁面。您可依 BIOS 項目名稱搜尋，將滑鼠移到空白處，並按滑鼠右鍵即可退出搜尋頁面。



重要

在搜尋頁面中，只有 F6、F10 和 F12 功能鍵可用。

- **語言** - 您可在此選擇 BIOS 設定畫面所顯示的語言。
- **系統資訊** - 顯示 CPU/ DDR 速度、CPU/ MB 溫度、MB/ CPU 類型、記憶體容量、CPU/ DDR 電壓、BIOS 版本和組建日期。
- **開機裝置順序** - 您可移動裝置圖示來變更開機優先順序。開機順序由高至低的排序是由左至右。
- **組件資訊** - 按 **CPU, Memory, Storage, Fan Info** 和 **Help** 按鈕以顯示已連接組件的資訊。
- **功能按鈕** - 按這些按鈕即可啟用或停用這些功能。當按鈕顯示 **ON** 時, 此功能將啟用。



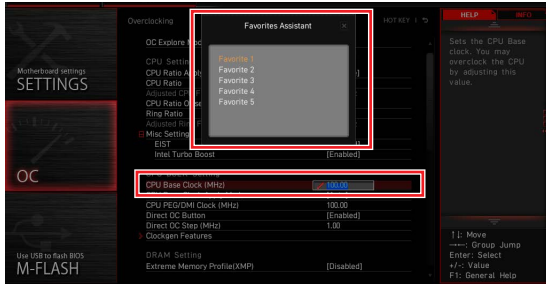
重要
此功能按鈕會因您所購買的主機板不同而有差異。

- **M-Flash** - 按此按鈕即可顯示 **M-Flash** 功能表, 可用 USB 隨身碟更新 BIOS。
- **硬體監測器** - 按此按鈕即可顯示**硬體監測器**功能表, 能在此手動控制風扇速度百分比。
- **我的最愛** - 按「**Favorites (我的最愛)**」頁籤或 **F3** 鍵可進入「**Favorites (我的最愛)**」功能表。您可在此建立個人化的 BIOS 功能表, 以便在其中儲存並使用最愛/最常用的 BIOS 設定項目。



▪ 將 BIOS 項目加到我的最愛頁面

1. 選擇一項 BIOS 項目，不僅在 BIOS 頁面上，而且在搜索頁面上。
2. 按右鍵，或按下 F2 鍵。
3. 選擇一個我的最愛頁面，然後按一下 OK (確定)。



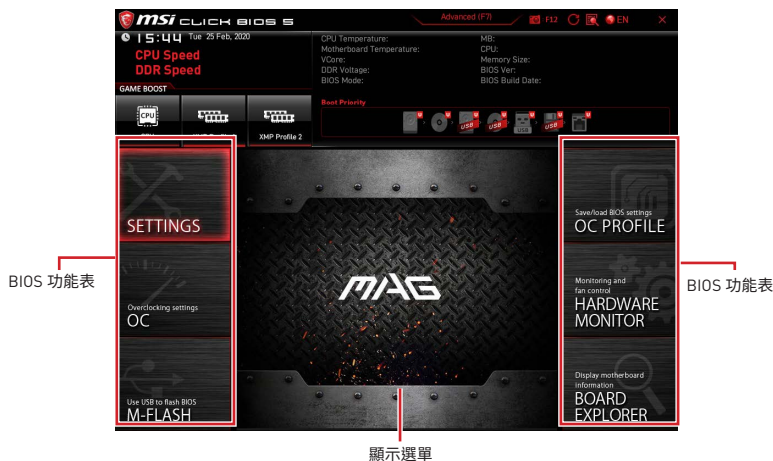
▪ 刪除我的最愛頁面中的 BIOS 項目

1. 在我的最愛頁面選擇一個 BIOS 項目。
2. 按右鍵，或按下 F2 鍵。
3. 選擇 Delete (刪除) 然後按一下 OK (確定)。



進階模式

按下**設定模式**開關或 **F7** 功能鍵，即可在 BIOS 設定中切換 EZ 模式和進階模式。



- **BIOS 功能表選擇** - 提供以下選項：
 - **SETTINGS (設定)** - 您可在此指定晶片組和開機裝置的參數。
 - **OC (超頻)** - 您可在此調整頻率和電壓。提升頻率可能獲得更優異的效能。
 - **M-FLASH** - 可藉此透過 USB 隨身碟更新 BIOS。
 - **OC PROFILE** - 可在此管理超頻設定檔。
 - **HARDWARE MONITOR (硬體監測器)** - 可在此設定風扇速度並監測系統電壓。
 - **BOARD EXPLORER (主機板瀏覽器)** - 提供已安裝在主機板上各類裝置的相關訊息。
- **顯示選單** - 顯示要配置的 BIOS 設定項目和資訊。

OC 功能表

此功能允許您配置用於超頻的頻率和電壓。請注意，較高的頻率和電壓可能會改善超頻效果，但會導致系統不穩定。



重要

- 手動超頻功能僅建議由進階使用者進行操作。
- 本公司不保證超頻效果，若不當操作，可能會導致保固失效，甚至硬體嚴重受損。
- 若不熟悉超頻作業，建議您使用 **GAME BOOST** 功能進行簡易超頻。
- OC 選單中的 BIOS 項目會因安裝的處理器不同而有差異。

▶ OC Explore Mode [Normal]

啟用或關閉一般或進階超頻設定。

[Normal] 在 BIOS 設定提供一般超頻設定。

[Expert] 在 BIOS 設定，為豐富經驗的玩家提供進階超頻設定。

註：* 表示專家模式的超頻設定。

▶ CPU Ratio Apply Mode [All Core]*

設定套用的 CPU 倍頻模式。僅當安裝的 CPU 支援 **Turbo Boost** 時，顯示此項目。

▶ CPU Ratio [Auto]

調整 CPU 倍頻以決定 CPU 時脈速率。此項僅在 **CPU Ratio Apply Mode** 設定為 **All Core** 時出現。

▶ Adjusted CPU Frequency

顯示調整後的 CPU 頻率。唯讀。

▶ Advanced CPU Configuration

按下 **Enter** 鍵進入子選單。可設定 CPU 的功耗/ 電流。調整這些數值可能會使系統變得不穩定或無法開機，如有發生此類狀況，請清除 CMOS 資料並恢復為預設值。

▶ CPU Ratio Offset When Running AVX [Auto]

設置偏移值以降低 CPU 內核倍頻。運行 AVX 指令集時，可以有助於散熱。如果設置為自動，BIOS 將自動配置此設置。當安裝的 CPU 支持此功能時，顯示此項目。

▶ Ring Ratio [Auto]

設定 Ring 倍頻。有效範圍視安裝的 CPU 而定。

▶ Adjusted Ring Frequency

顯示調整後的 Ring 頻率。唯讀。

▶ GT Ratio [Auto]

設定整合式繪圖卡倍頻。有效值範圍視安裝的 CPU 而定。

▶ Adjusted GT Frequency

顯示調整後的整合式繪圖卡頻率。唯讀。

▶ Extreme Memory Profile (XMP) [Disabled]

XMP 是記憶體模組的超頻技術。請啟用 XMP 或選擇內存模組配置文件以超頻內存。安裝支援 XMP 的記憶體模組時，此項目才可使用。

▶ Memory Try It ! [Disabled]

選擇最佳化的記憶體預設值，改善記憶體相容性或效能。

▶ DRAM Timing Mode [Link]

選取記憶體時序模式。

[Link] 可讓使用者針對所有記憶體通道設定 DRAM 時序。

[UnLink] 可讓使用者對個別記憶體通道設定 DRAM 時序。

▶ Advanced DRAM Configuration

按 **Enter** 進入子功能表。使用者可設定各個或所有記憶體通道的記憶體時序。變更記憶體時序後，系統可能會不穩定或無法開機。若發生此情況，請清除 CMOS 資料並還原到預設值。(請參閱清除 CMOS 功能跳線/按鈕章節的說明，清除 CMOS 資料，並進入 BIOS 載入預設值。)

▶ Memory Fast Boot [Auto] *

啟用或停用每次開機時的記憶體初始化和訓練。

[Auto] 此設定會由 BIOS 自動進行配置。

[Enabled] 系統會完整保留記憶體初次初始化與訓練的保存資料。因此記憶體在開機時無需初始化和訓練，進而加速系統開機時間。

[Disabled] 每次開機時記憶體都會初始化和訓練。

[Training] 每次開機時記憶體都會訓練。

▶ DigitALL Power sub-menu

按 **Enter** 進入子選單。在子選單中可設定數項與 CPU 的電壓/ 電流/ 溫度相關的保護條件。

▶ CPU Core Voltage Monitor [VCC Sense]

選擇 CPU Core 電壓的顯示器源。

▶ CPU Voltages control [Auto]

使用這些選項設定 CPU 的相關電壓。若設定為**自動 (Auto)**，BIOS 會自動設定這些電壓，或可手動設定。

▶ DRAM Voltages control [Auto]

使用這些選項設定記憶體的相关電壓。若設定為**自動 (Auto)**，BIOS 會自動設定這些電壓，或可手動設定。

▶ CPU Memory Changed Detect [Enabled]*

啟用或停用 CPU 或記憶體更換後開機時系統發出警告訊息的功能。

[Enabled] 開機時系統會發出警告訊息，然後使用者必須載入新裝置的預設值。

[Disabled] 停用此功能並保留目前的 BIOS 設定。

▶ CPU Specifications sub-menu

按 **Enter** 進入子功能表。此子功能表會顯示已安裝 CPU 的資訊。您亦可隨時按 [F4] 進入此資訊功能表。唯讀。

▶ MEMORY-Z sub-menu

按 **Enter** 進入子功能表。此子功能表會顯示已安裝記憶體的所有設定值和時序。您亦可隨時按 [F5] 進入此資訊功能表。

▶ CPU Features sub-menu

按 **Enter** 進入子功能表。您可以啟用或禁用 CPU 功能和技術以保護 CPU，改善系統性能。

目录

安全信息.....	3
规格.....	4
包装内容.....	9
后置 I/O 面板.....	10
LAN 端口 LED 状态表.....	10
音频端口配置.....	10
Realtek 音频控制台.....	11
组件概述.....	13
CPU 底座.....	14
DIMM 插槽.....	15
PCI_E1~4: PCIe 扩展插槽.....	16
SATA1~6: SATA 6Gb/s 接口.....	16
M2_1~2: M.2 接口 (M 键).....	17
JFP1, JFP2: 前置面板接口.....	19
JAUD1: 前置音频接口.....	19
CPU_PWR1, ATX_PWR1: 电源接口.....	20
JUSB1: USB 3.2 Gen 1 5Gbps Type-C 接口.....	21
JUSB2: USB 3.2 Gen 1 5Gbps 接口.....	21
JUSB3~4: USB 2.0 接口.....	22
JTPM1: TPM 模组接口.....	22
CPU_FAN1, PUMP_FAN1, SYS_FAN1~6: 风扇接口.....	23
JCI1: 机箱入侵检测接口.....	24
JBAT1: 清除 CMOS (重启 BIOS) 跳线.....	25
JTBT1: Thunderbolt 附加卡接口.....	25
JRTD3: Intel RTD3 接口.....	25
简易侦错 LED 灯.....	26
LED_SW1: 简易 LED 灯控制.....	26
JRGB1~2: RGB LED 接口.....	27
JRAINBOW1~2: 寻址 RGB LED 接口.....	28
安装操作系统, 驱动程序和工具程序.....	29
安装 Windows® 10.....	29
安装驱动.....	29
安装工具.....	29

UEFI BIOS	30
BIOS 设置.....	31
进入 BIOS 设置.....	31
重启 BIOS.....	32
更新 BIOS.....	32
EZ 模式.....	34
高级模式.....	37
OC 菜单.....	38

安全信息

- 此包装中包含的组件有可能到静电放电 (ESD) 损坏。请遵守以下注意事项, 以确保成功组装计算机。
- 确保所有组件连接牢固。若连接不紧可能会导致计算机无法识别组件或无法开启。
- 拿起主板时请手持主板边缘, 避免触及主板的敏感组件。
- 当拿取主板时, 建议佩戴静电放电 (ESD) 腕带, 以防止静电损坏其配置。如果 ESD 腕带无法使用, 请在拿取主板前通过接触其它金属物体释放自身的静电。
- 在不安装主板时, 请将主板放在静电屏蔽容器或防静电垫上。
- 在打开计算机前, 确保计算机机箱内的主板或任何位置上没有松动的螺丝或金属组件。
- 在安装完成之前不要启动计算机。否则可能会导致组件永久性损坏以及伤害使用者。
- 在任何安装步骤中, 如果您需要帮助, 请咨询专业的计算机技术员。
- 安装或拆卸计算机任何组件之前, 请先关闭电源, 并将电源线由插座上拔除。
- 保留本用户指南以供将来参考。
- 本主板须远离湿气。
- 在电源供应器连接到电源插座之前, 请确保您的插座提供了电源供应器上额定相同的指示电压。
- 将电源线摆放在不会被人踩到的地方, 不要在电源线上放置任何物品。
- 须留意在主板上所有的警告标示。
- 发生下列任一状况时, 请将本主板交由维修人员检查:
 - 有液体渗透至计算机内。
 - 主板暴露于水气当中。
 - 主板不工作, 或您依照使用指南后仍无法让本主板工作。
 - 主板曾掉落且损坏。
 - 主板有明显的破损痕迹。
- 切勿将主板放置于摄氏60度(华氏140度)以上的环境中, 以免主板损坏。

规格

CPU	<p>持 LGA 1200 针脚第十代 Intel® Core™ 和 Pentium® Gold / Celeron® 处理器*</p> <p>* 请访问 www.intel.com 网站, 以获取更多兼容性详细信息。</p> <p>* 当使用 F SKU 处理器时, 板载显卡输出将无效。</p>
芯片组	Intel® B460 芯片组
内存	<ul style="list-style-type: none">• 4 个 DDR4 内存插槽, 支持高达 128GB*• Intel® Core™ i7/ i9<ul style="list-style-type: none">▪ 支持高达 DDR4 2933 MHz• Intel® Core™ i5 及更低版本<ul style="list-style-type: none">▪ 支持高达 DDR4 2666 MHz• 支持双通道模式• 支持 非-ECC, 非-缓存内存• 支持 Intel® 扩展内存配置文件 (XMP) <p>*请参考 www.msi.com 网站, 以了解有关于内存兼容的详细信息。</p>
扩展插槽	<ul style="list-style-type: none">• 1 个 PCIe 3.0 x16 插槽 (来自 CPU, PCI_E1), 支持 x16 模式• 1 个 PCIe 3.0 x16 插槽 (来自 PCH, PCI_E3), 支持 x4 模式*• 2 个 PCIe 3.0 x1 插槽 (来自 PCH) <p>* 当在 M2_2 接口中安装 M.2 固态硬盘时, PCI_E3 将无效。</p>
板载显卡	<ul style="list-style-type: none">• 1 个 HDMI 端口, 支持最大分辨率为 4096x2160 @30Hz• 1 个 DisplayPort 端口, 支持最大分辨率为 4096x2304 @60Hz
音频	<ul style="list-style-type: none">• Realtek® ALC1200 解码芯片<ul style="list-style-type: none">▪ 7.1-声道高清音频▪ 支持 S/PDIF 输出
LAN	<ul style="list-style-type: none">• 1 个 Realtek® RTL8125B 2.5Gbps 网络控制器• 1 个 Intel® I219V 1Gbps 网络控制器

转下一页

接上一页

存储	<p>Intel® B460 芯片组</p> <ul style="list-style-type: none">• 6 个 SATA 6Gb/s 端口*• 2 个 M.2 接口 (M 键)<ul style="list-style-type: none">▪ M2_1 支持高达 PCIe 3.0 x4 和 SATA 6Gb/s, 2242/ 2260/ 2280/ 22110 存储设备*▪ M2_2 支持高达 PCIe 3.0 x4, 2242/ 2260/ 2280 存储设备**• 英特尔® 傲腾 (Optane)™ 内存接口***• 搭载 Intel Core™ 处理器可支持 Intel® 智能响应技术 <p>* 当在 M2_1 接口中安装 M.2 SATA 固态硬盘时, SATA1 将无效。 ** 当在 M2_2 接口中安装 M.2 固态硬盘时, PCI_E3 将无效。 *** 使用英特尔® 傲腾 (Optane)™ 内存模块之前, 请务必至 MSI 网站下载驱动程序和 BIOS 最新版本并更新完毕。</p>
RAID	<ul style="list-style-type: none">• Intel® B460 芯片组<ul style="list-style-type: none">▪ 支持以 SATA 存储设备创建 RAID 0, RAID 1, RAID 5 和 RAID 10
USB	<ul style="list-style-type: none">• Intel® B460 芯片组<ul style="list-style-type: none">▪ 6 个 USB 3.2 Gen 1 5Gbps 端口 (4 个 Type-A 后置面板端口, 通过内部 USB 3.2 Gen 1 接口的 2 个端口)▪ 1 个 USB 3.2 Gen 1 5Gbps 端口 (1 个 Type-C 内部接口)▪ 6 个 USB 2.0 端口 (2 个 Type-A 后置面板端口, 通过内部 USB 2.0 接口的 4 个端口)• ASMedia® 3241 芯片组<ul style="list-style-type: none">▪ 1 个 USB 3.2 Gen 2x2 20Gbps Type-C 后置面板端口


转下一页

接上一页

后置面板接口	<ul style="list-style-type: none">• 1 个 PS/2 键盘/鼠标组合端口• 2 个 USB 2.0 Type-A 端口• 1 个 Display 端口• 1 个 HDMI 端口• 1 个 USB 3.2 Gen 2x2 20Gbps Type-C 端口• 2 个 LAN (RJ45) 端口• 4 个 USB 3.2 Gen 1 5Gbps Type-A 端口• 5 个 音频插孔• 1 个 光纤 S/PDIF 输出接口
内部接口	<ul style="list-style-type: none">• 1 个 24-pin ATX 主电源接口• 1 个 8-pin ATX 12V 电源接口• 6 个 SATA 6Gb/s 接口• 2 个 M.2 接口 (M-键)• 1 个 USB 3.2 Gen 1 5Gbps Type-C 接口• 1 个 USB 3.2 Gen 1 5Gbps 接口 (额外支持 2 个 USB 3.2 Gen 1 5Gbps 端口)• 2 个 USB 2.0 接口 (额外支持 4 个 USB 2.0 端口)• 1 个 4-pin CPU 风扇接口• 1 个 4-pin 水冷风扇接口• 6 个 4-pin 系统风扇接口• 1 个 前置面板音频接口• 2 个 系统面板接口• 1 个 机箱入侵检测接口• 2 个 4-pin RGB LED 接口• 2 个 3-pin 彩虹灯条 LED 接口• 1 个 TPM 模组接口• 1 个 清除 CMOS 跳线• 1 个 TBT 接口*• 1 个 RTD3 接口 <p>* Thunderbolt 卡需要支持 RTD3。</p>
LED 功能	<ul style="list-style-type: none">• 1 个 简易 LED 灯控制开关• 4 个 简易侦错 LED 灯

转下一页

接上一页

I/O 控制器	NUVOTON NCT6687 控制器芯片
硬件监控	<ul style="list-style-type: none">• CPU/系统温度检测• CPU/系统风扇速率检测• CPU/系统风扇速率控制
尺寸规格	<ul style="list-style-type: none">• ATX 尺寸规格• 12 英寸 x 9.6 英寸 (30.5 厘米 x 24.4 厘米)
BIOS 功能	<ul style="list-style-type: none">• 1 个 128 Mb flash• UEFI AMI BIOS• ACPI 6.2, SMBIOS 3.2• 多国语言
软件	<ul style="list-style-type: none">• 驱动程序• DRAGON CENTER• MSI APP 播放器 (BlueStacks)• 开放式广播软件 (OBS)• MSI GAMING 版 CPU-Z• 英特尔® 极限超频工具• Google 浏览器™, Google 工具栏, Google 云端硬盘• 诺顿™ 网络安全解决方案
Dragon Center 功能	<ul style="list-style-type: none">• Gaming 模式• Gaming 热键• 网卡管理软件• 动态RGB LED炫光系统• 用户场景• 硬件监视器• True Color• Live Update• DPC 延迟优化器• 加速软件• 智能工具• 快速充电 <div data-bbox="654 1082 782 1209"></div> <p data-bbox="654 1228 888 1284">有关更多详细信息, 请参阅 http://download.msi.com/manual/mb/DRAGONCENTER2.pdf。</p>

转下一页

接上一页

特殊功能

- 音频
 - 经典音皇技术
- 网络
 - 2.5G LAN
 - 网卡管理软件
- 冷却
 - M.2 冰霜铠甲
 - 水冷风扇
 - 智能风扇控制系统
- LED 灯
 - 动态RGB LED炫光系统
 - 炫光系统扩展技术 (RAINBOW/RGB)
 - 炫光系统同步技术
 - 简易 LED 灯控制
 - 简易侦错 LED 灯
- 性能
 - DDR4 加速引擎
 - 核心加速引擎
 - Lightning (闪电) USB 20G
 - 前置 USB Type-C
- 防护
 - PCI-E 钢铁装甲
 - 预装 I/O 挡板
- 体验
 - Dragon Center
 - 第五代图形化BIOS

包装内容

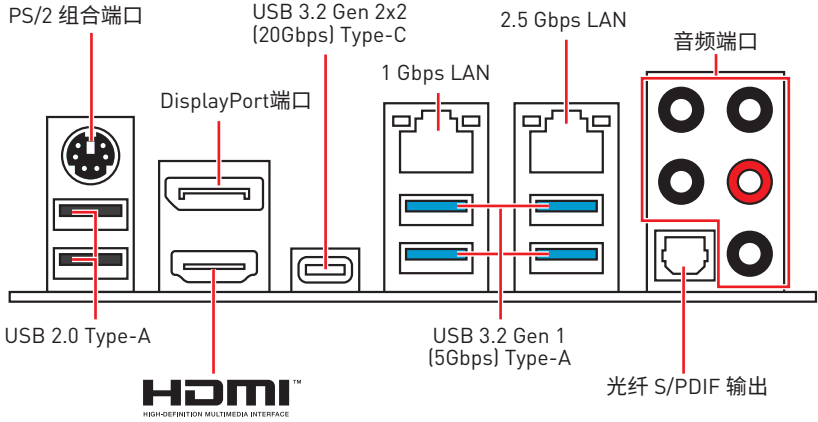
请检查您的主板包装内容。它应该包含以下内容：

主板	MAG B460 TOMAHAWK	
电缆	SATA 6G 电缆 (2 电缆/包)	1
配件	M.2 螺丝 (3 个/包)	1
	机箱铭牌	1
	产品注册卡	1
应用程序	DVD 驱动盘	1
文档	用户手册	1
	快速安装指南	1



如上述物品有任何损坏或遗失，请联系您的零售商。

后置 I/O 面板



LAN 端口 LED 状态表

连线/ 工作灯号		速度灯号												
状态	描述													
关	网络未连接	<table border="1"> <thead> <tr> <th>状态</th> <th>1 Gbps LAN</th> <th>2.5 Gbps LAN</th> </tr> </thead> <tbody> <tr> <td>关</td> <td>传输速率 10 Mbps</td> <td>传输速率 10 Mbps</td> </tr> <tr> <td>绿色</td> <td>传输速率 100 Mbps/ 1 Gbps</td> <td>传输速率 100 Mbps/ 1 Gbps</td> </tr> <tr> <td>橙色</td> <td>不可用</td> <td>传输速率 2.5 Gbps</td> </tr> </tbody> </table>	状态	1 Gbps LAN	2.5 Gbps LAN	关	传输速率 10 Mbps	传输速率 10 Mbps	绿色	传输速率 100 Mbps/ 1 Gbps	传输速率 100 Mbps/ 1 Gbps	橙色	不可用	传输速率 2.5 Gbps
状态	1 Gbps LAN		2.5 Gbps LAN											
关	传输速率 10 Mbps		传输速率 10 Mbps											
绿色	传输速率 100 Mbps/ 1 Gbps		传输速率 100 Mbps/ 1 Gbps											
橙色	不可用	传输速率 2.5 Gbps												
黄色	网络已连接													
闪烁	网络数据在使用中													

音频端口配置

音频端口	通道			
	2	4	6	8
中置/ 超重低音输出			●	●
后置喇叭输出		●	●	●
音频输入/ 侧置喇叭输出				●
音频输出/ 前置喇叭输出	●	●	●	●
麦克风输入				

(●: 连接, 空白: 空)

Realtek 音频控制台

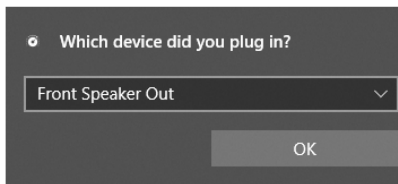
Realtek 音频控制台安装完成后,您可以用它来更改声音设置,以获得更好的音质体验。



- **设备选择** - 允许您选择一个音频输出来源来更改相关选项。**检查**标志指示设备为默认值。
- **应用程序增强** - 选项的数组将为您输出和输入设备提供一个完整的预期音响效果指南。
- **主音量** - 通过由右侧/左侧的调整条来控制您在前置或后置面板上插入的扬声器音量或均衡。
- **插孔状态** - 采集设备当前与计算机连接的所有呈现和描述。
- **接口设置** - 用于配置接口设置。

自动弹出对话框

当您插入设备至音频插孔时,会弹出对话框询问您当前连接的是哪一个设备。

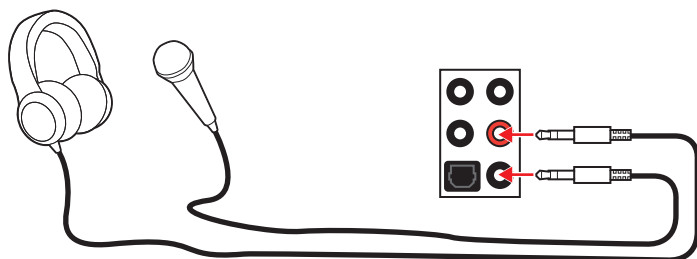


每个插孔对应的默认设置如下一页图示所示。

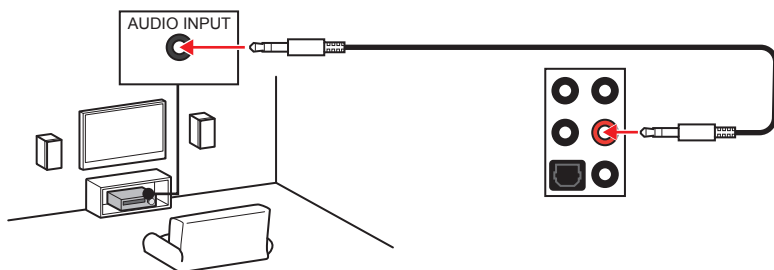


以上图片仅供参考,可能与您购买的产品有所不同。

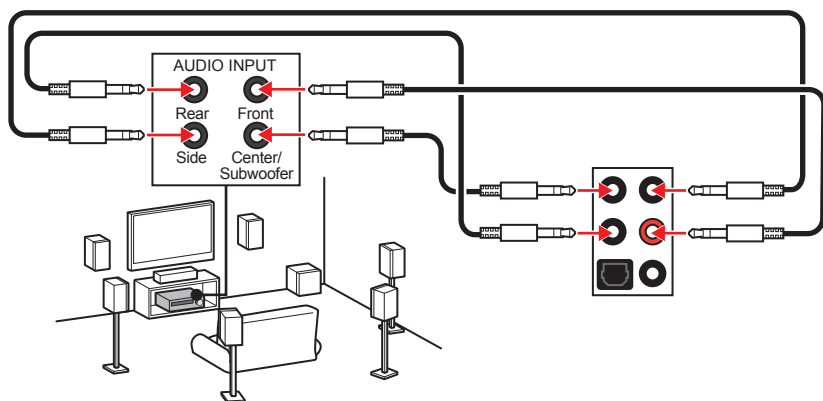
耳机和麦克风至音频插孔示意图



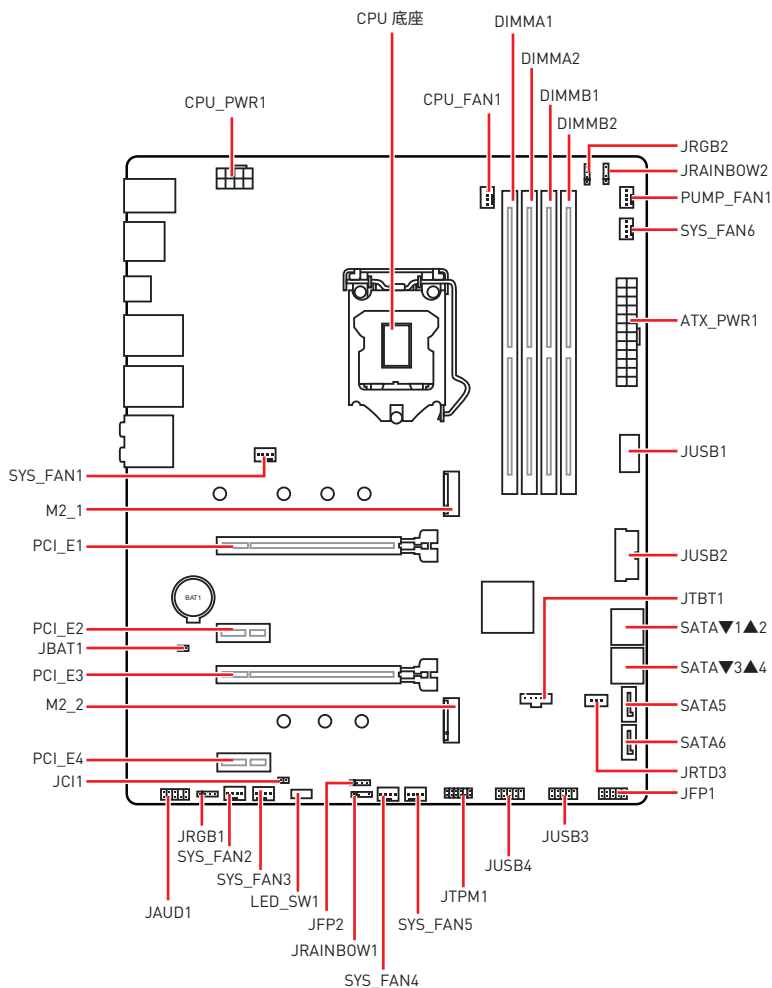
立体声喇叭至音频插孔示意图



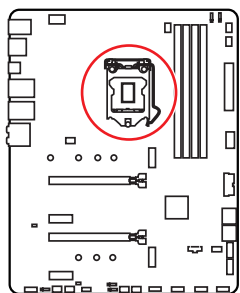
7.1-声道喇叭至音频插孔示意图



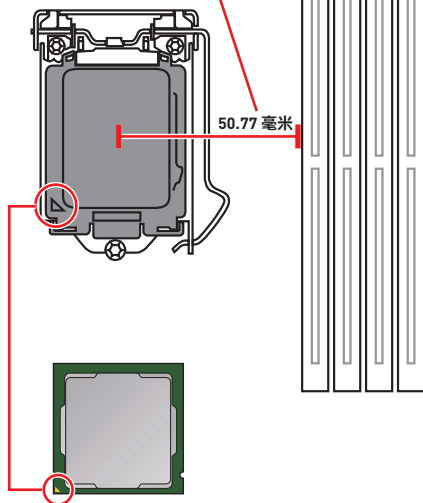
组件概述



CPU 底座



CPU 中心位置到最近的 DIMM 插槽的距离。



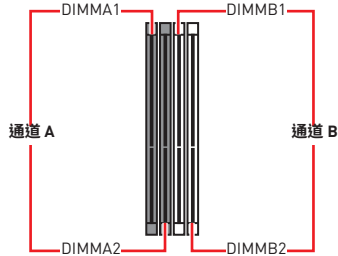
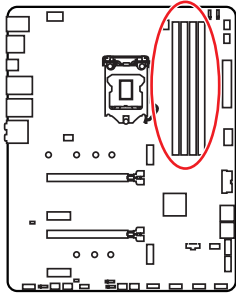
LGA 1200 CPU 简介

为了正确的将 CPU 放置在主板中, LGA 1200 CPU 的表面有两个对齐点和一个金色三角指示。金色三角指示为 Pin 1。

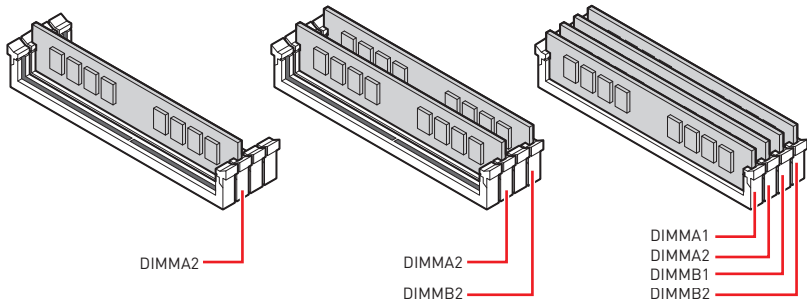
⚠️ 注意

- 安装或移除 CPU 之前, 请先关闭电源, 并将电源线由插座上拔除。
- 安装完处理器后请保留 CPU 保护盖。微星将要求授权的 (RMA) 在处理退货验证需要主板上附带 CPU 底座上的保护盖。
- 当您安装 CPU 时, 请确认已安装好 CPU 风扇。对防止过热和维持系统的稳定性 CPU 风扇是非常必要的。
- 确认在系统启动前 CPU 风扇已经牢固的粘贴在 CPU 上。
- 温度过高会严重损害 CPU 和系统, 请务必确认所使用的降温风扇始终能够正常工作, 保护 CPU 以免过热烧毁。确认, 您已在 CPU 和散热片之间涂抹了一层平滑的散热硅胶(或热胶带) 以增强散热。
- 只要 CPU 尚未安装, 请把塑料保护盖覆盖在 CPU 底座上, 以避免底座受损。
- 如果您购买了一个独立 CPU 的散热片/冷却器, 详细安装请参考散热片/冷却器包装内的说明书。
- 主板设计支持超频。然而, 请确认您的配置能够接受这样非常规的设定。在超频时, 不推荐任何超技术规范之外的动作。MSI® 不承担损坏或因为不在产品规格之外不规范的操作导致的风险。

DIMM 插槽



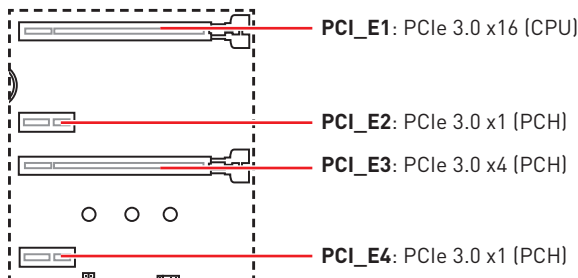
内存模块安装建议



注意

- 安装内存条模块时务必先由 **DIMMA2** 插槽开始安装。
- 为确保双通道模式下的系统稳定性, 内存模组必须是相同的类型, 数量和密度。
- 当超频运行某些内存时频率可能会低于标明值, 皆因内存频率运行取决于其串行设备检测 (SPD)。如果您需要设置内存频率在标明或在更高频率下来运行内存, 转到 BIOS 并找到 **DRAM Frequency**。
- 建议使用一种更有效的内存的冷却系统, 用于完整 DIMM 的安装或超频。
- 当超频时, 内存模块安装的稳定性和兼容性取决于已安装的 CPU 和设备。
- 请参考 www.msi.com 网站, 以了解有关于内存兼容的详细信息。

PCI_E1~4: PCIe 扩展插槽

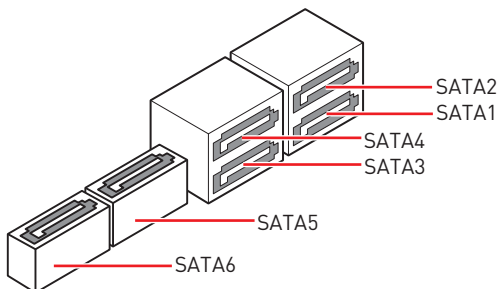
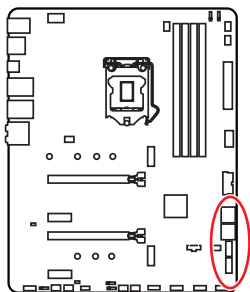


⚠ 注意

- 当在 M2_2 接口中安装 M.2 固态硬盘时, PCI_E3 将无效。
- 如果您安装了一个大而重的显卡时, 您需要使用一个辅助工具如 **MSI 游戏系列显卡支架千斤顶**来支撑其重量, 以防止插槽变形。
- 为了使安装单个 PCIe x16 扩展卡获得最佳性能。建议使用 **PCI_E1** 插槽。
- 当添加或移除扩展卡时, 请先关闭电源, 并将电源线由插座上拔除。请查看关于扩展卡的文档以便检查必要附件的硬件和软件变化。

SATA1~6: SATA 6Gb/s 接口

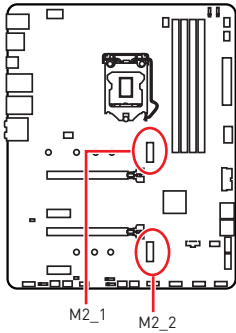
这些接口是串行 SATA 6Gb/s 界面接口。每个接口可以连接一个串行 SATA 设备。



⚠ 注意

- 请勿将串行 SATA 数据线对折成 90 度。否则, 传输过程中可能会出现数据丢失。
- SATA 数据线的两端有相同的插口, 然而, 为了节省空间建议连接扁平接口端在主板上。
- 当在 M2_1 接口中安装 M.2 SATA 固态硬盘时, SATA1 将无效。

M2_1~2: M.2 接口 (M 键)



视频演示

观看视频, 了解如何安装 M.2 模块。

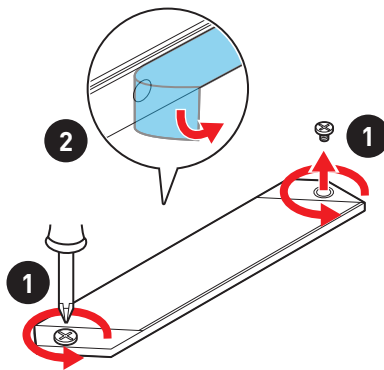
http://v.youku.com/v_show/id_XNzUyMTY3MjY4.html



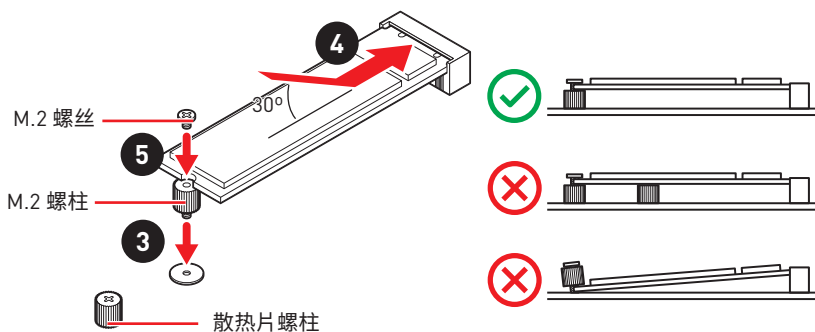
- Intel® RST 仅支持具有 UEFI ROM 的 PCIe M.2 固态硬盘 (仅 M2_2 接口)。
- 英特尔® 傲腾 (Optane)™ 内存与 M2_2 接口兼容。

M2_1 接口安装

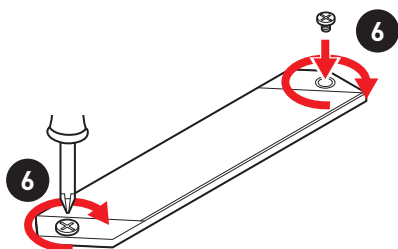
1. 将 M.2 冰霜铠甲散热片上的螺丝移除。
2. 移除 M.2 冰霜铠甲并从导热垫上取下保护膜。



3. 将 M.2 螺柱移动并固定到 M.2 固态硬盘的适当位置, 或者, 如果 M.2 固态硬盘的长度与 M.2 散热片的长度相同, 则移除 M.2 螺柱, 以免损坏 M.2 固态硬盘。
4. 将 M.2 固态硬盘以 30 度角插入 M.2 接口。
5. 使用 M.2 螺丝将 M.2 固态硬盘固定到位, 如果在步骤3 中移除 M.2 螺柱, 则跳过此步骤。



6. 将 M.2 冰霜铠甲散热片放回原位并固定。

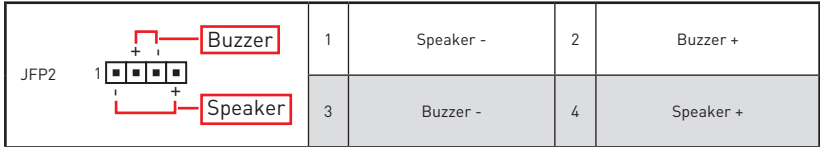
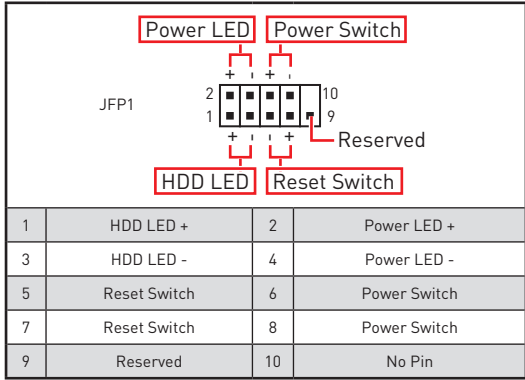
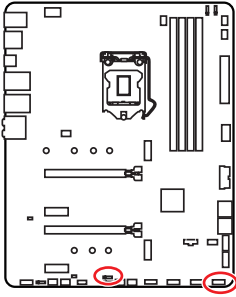


M2_2 接口安装

请按照步骤 3, 4 和 5 将 M.2 固态硬盘安装到 M2_2 接口。

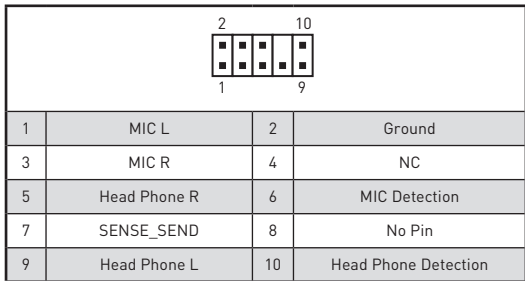
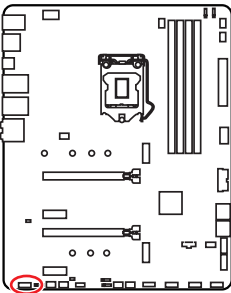
JFP1, JFP2: 前置面板接口

这些接口连接至前置面板上的开关和 LED 灯。



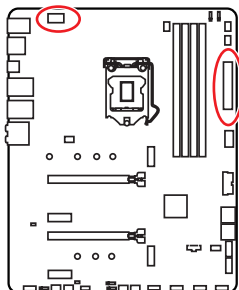
JAUD1: 前置音频接口

此接口允许您连接前置面板上音频插孔。



CPU_PWR1, ATX_PWR1: 电源接口

这些接口允许您连接一个 ATX 电源供应器。



1	Ground	5	+12V
2	Ground	6	+12V
3	Ground	7	+12V
4	Ground	8	+12V

1	+3.3V	13	+3.3V
2	+3.3V	14	-12V
3	Ground	15	Ground
4	+5V	16	PS-ON#
5	Ground	17	Ground
6	+5V	18	Ground
7	Ground	19	Ground
8	PWR OK	20	Res
9	5VSB	21	+5V
10	+12V	22	+5V
11	+12V	23	+5V
12	+3.3V	24	Ground

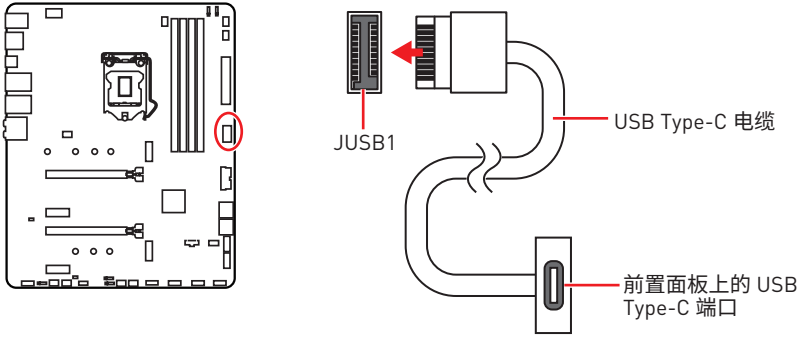


注意

确认所有接口都已正确的连接到 ATX 电源供应器上, 以确保主板稳定的运行。

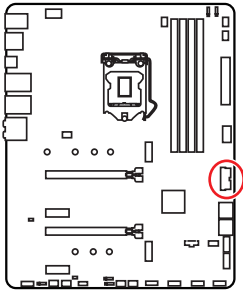
JUSB1: USB 3.2 Gen 1 5Gbps Type-C 接口

此接口允许您在前置面板上来连接 USB 3.2 Gen 1 5Gbps Type-C 接口。该接口具有防呆设计。当您连接电缆时，请务必将其与相应的方向连接。



JUSB2: USB 3.2 Gen 1 5Gbps 接口

此接口允许您在前置面板上来连接 USB 3.2 Gen 1 5Gbps 端口。



1	Power	11	USB2.0+
2	USB3_RX_DN	12	USB2.0-
3	USB3_RX_DP	13	Ground
4	Ground	14	USB3_TX_C_DP
5	USB3_TX_C_DN	15	USB3_TX_C_DN
6	USB3_TX_C_DP	16	Ground
7	Ground	17	USB3_RX_DP
8	USB2.0-	18	USB3_RX_DN
9	USB2.0+	19	Power
10	Ground	20	No Pin

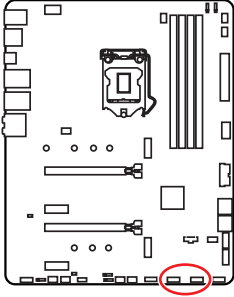


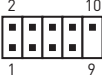
注意

请注意，电源和接地针脚必须正确连接以避免可能的损坏。

JUSB3~4: USB 2.0 接口

这些接口允许您在前置面板上来连接 USB 2.0 端口。



			
1	VCC	2	VCC
3	USB0-	4	USB1-
5	USB0+	6	USB1+
7	Ground	8	Ground
9	No Pin	10	NC

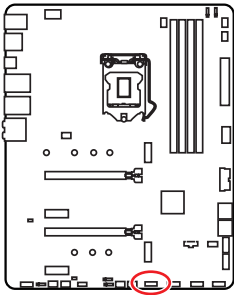


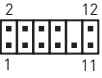
注意

- 请注意, VCC 和接地针脚必须正确连接以避免可能的损坏。
- 为了将您的 iPad, iPhone 和 iPod 通过 USB 端口进行充电, 请安装 MSI® DRAGON CENTER 实用程序。

JTPM1: TPM 模组接口

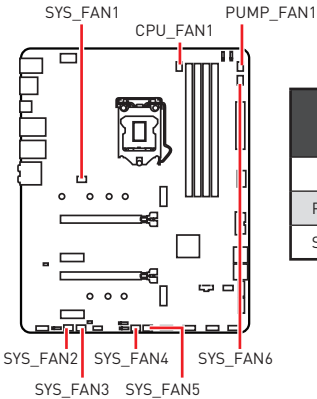
此接口是用来连接 TPM (安全平台模组)。请参考 TPM 安全平台手册以获得更多细节和用法。



			
1	SPI Power	2	SPI Chip Select
3	Master In Slave Out (SPI Data)	4	Master In Slave In (SPI Data)
5	Reserved	6	SPI Clock
7	Ground	8	SPI Reset
9	Reserved	10	No Pin
11	Reserved	12	Interrupt Request

CPU_FAN1, PUMP_FAN1, SYS_FAN1~6: 风扇接口

风扇接口可分为 PWM (脉冲宽度调制) 模式和 DC 模式。PWM 模式风扇接口使用速率控制信号提供恒定的 12V 输出和调节风扇速率。DC 模式风扇接口通过改变电压控制风扇速率。您可以按照以下说明手动将风扇接口调整为 PWM 模式或 DC 模式。

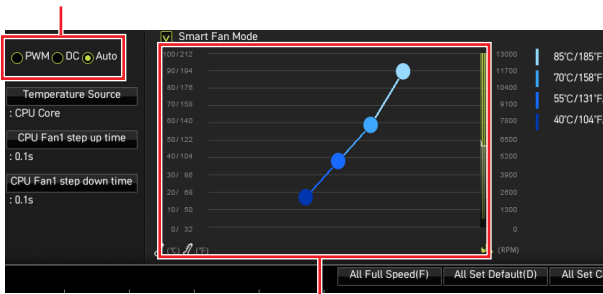


接口	默认风扇模式	当前最大	最大功率
CPU_FAN1	PWM 模式	2A	24W
PUMP_FAN1	PWM 模式	3A	36W
SYS_FAN1~6	DC 模式	2A	24W

切换风扇模式和调整风扇速率

您可以在 PWM 模式和 DC 模式之间切换，并在 **BIOS > HARDWARE MONITOR** 中调整风扇速率。

选择 PWM 模式或 DC 模式



提供风扇速率渐变梯度点, 允许您以 CPU 的温度来调节风扇速率。



注意
确认在切换 PWM/DC 模式后, 风扇工作正常。

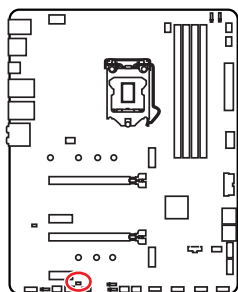
风扇接口引脚定义

1 PWM 模式引脚定义			
1	Ground	2	+12V
3	Sense	4	Speed Control Signal

1 DC 模式引脚定义			
1	Ground	2	Voltage Control
3	Sense	4	NC

JCI1: 机箱入侵检测接口

此接口可用于连接机箱入侵检测开关线。



正常 (默认)



启用机箱入侵检测

使用机箱入侵检测器

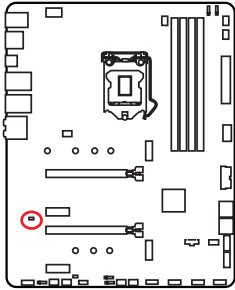
1. JCI1 接口连接机箱上的机箱入侵检测开关和传感器。
2. 关闭机箱盖。
3. 转到 **BIOS > SETTINGS > Security > Chassis Intrusion Configuration**。
4. 设置 **Chassis Intrusion** 为 **Enabled**。
5. 按 **F10** 保存并退出, 然后按 **Enter** 键选择 **Yes**。
6. 当计算机开启时, 一旦打开机箱盖, 将会在屏幕上显示一个警告信息。

重设机箱入侵检测警告

1. 转到 **BIOS > SETTINGS > Security > Chassis Intrusion Configuration**。
2. 设置 **Chassis Intrusion** 为 **Reset**。
3. 按 **F10** 保存并退出, 然后按 **Enter** 键选择 **Yes**。

JBAT1: 清除 CMOS (重启 BIOS) 跳线

主板上建有一个 CMOS 内存, 其中保存的系统配置数据需要通过一枚外置的电池来维持它。如果您想清除系统配置, 设置跳线清除 CMOS 内存。




保留数据
(默认)


清除 CMOS/
重启 BIOS

重启 BIOS 为默认值

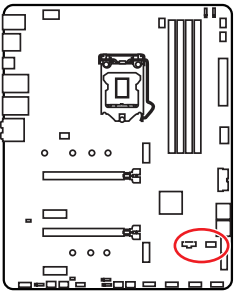
1. 关闭计算机电源, 并拔下电源插头。
2. 使用跳线帽让 **JBAT1** 短路持续约 **5-10** 秒。
3. 移除 **JBAT1** 上的跳线帽。
4. 插上电源插头并开启计算机上电源。

JTBT1: Thunderbolt 附加卡接口

此接口允许您连接附加的 Thunderbolt I/O 卡。

JRTD3: Intel RTD3 接口

此接口可用来连接支持 RTD3 的附加 Thunderbolt I/O 卡上的 RTD3 接口。

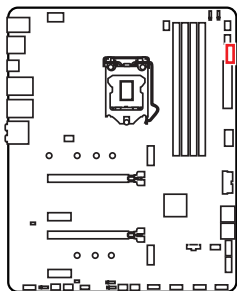


1 JTBT1			
1	FORCE_PWR	2	SCI_EVENT
3	SLP_S3#	4	SLP_S5#
5	Ground		

1 JRTD3			
1	WAKE	2	PWR EN
3	GND		

简易侦错 LED 灯

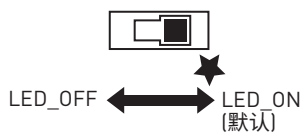
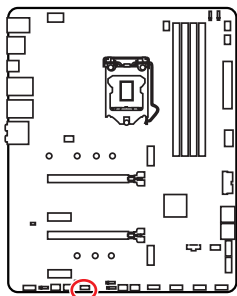
LED 指示灯在主板中的侦错状态。



- CPU** - 表示 CPU 无法检测或故障。
- DRAM** - 表示 DRAM 无法检测或故障。
- VGA** - 表示 GPU 无法检测或故障。
- BOOT** - 表示启动设备无法检测或故障。

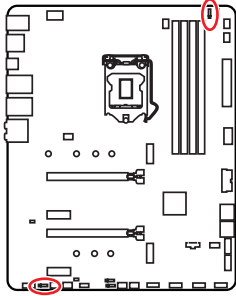
LED_SW1: 简易 LED 灯控制

此开关用于打开/关闭主板上的所有 LED 灯。



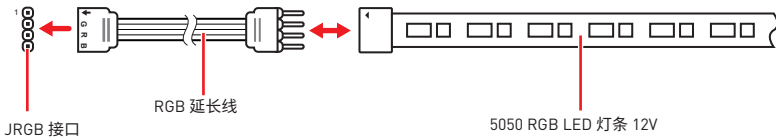
JRGB1~2: RGB LED 接口

JRGB 接口允许您连接 5050 RGB LED 灯条 12V。

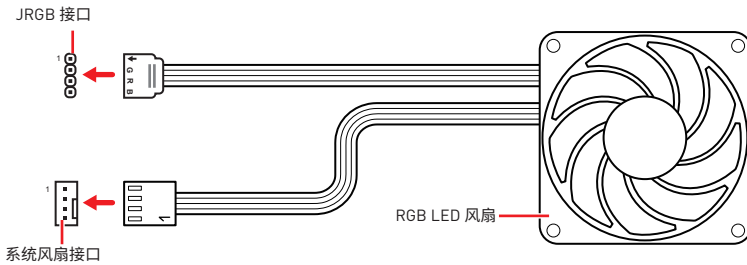


JRGB1		JRGB2	
1	+12V	2	G
3	R	4	B

RGB LED 灯条连接



RGB LED 风扇连接

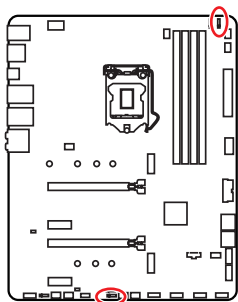


⚠️ 注意

- JRGB 接口支持高达 2 米连续的 5050 RGB LED 灯条 (12V/G/R/B) 和最大额定功率 3A (12V)。
- 在安装或拆卸 RGB LED 灯条时, 请先关闭电源, 并将电源线由插座上拔除。
- 请使用 MSI 软件来控制扩展 LED 灯条。

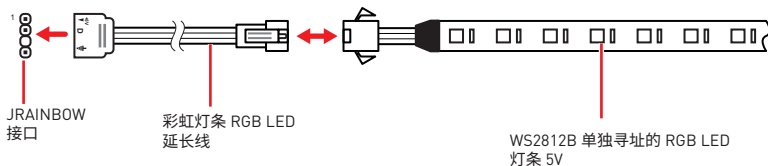
JRAINBOW1~2: 寻址 RGB LED 接口

JRAINBOW 接口允许您连接 WS2812B 单独寻址 RGB LED 灯条 5V。

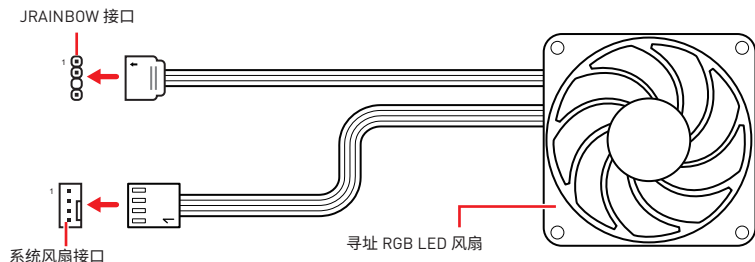


JRAINBOW1		JRAINBOW2	
1	+5V	2	Data
3	No Pin	4	Ground

寻址 RGB LED 灯条连接



寻址 RGB LED 风扇连接



警告

不要连接错误类型的 LED 灯条。JRGB 接口和 JRAINBOW 接口提供不同的电压，如将 5V LED 灯条连接到 JRGB 接口将会损坏 LED 灯条。

注意

- JRAINBOW 支持多达 75 个 LED WS2812B 单独寻址 RGB LED 灯条 (5V/Data/Ground) 和最大额定功率 3A (5V)。在亮度为 20% 情况下，最多连接数量可支持 200 个 LED。
- 在安装或拆卸 RGB LED 灯条时，请先关闭电源，并将电源线由插座上拔除。
- 请使用 MSI 软件来控制扩展 LED 灯条。

安装操作系统, 驱动程序和工具程序

请通过 www.msi.com 下载并更新最新的工具程序和驱动程序

安装 Windows® 10

1. 启动计算机电源。
2. 将 Windows® 10 安装光盘/ USB 插入计算机。
3. 按下计算机上的 **Restart** 按钮。
4. 计算机 POST (开机自我测试) 过程中按 **F11** 键进入启动菜单。
5. 从引导菜单中选择 Windows® 10 安装光盘/USB。
6. 当屏幕显示 **Press any key to boot from CD or DVD...** 信息时按住任意键。
7. 按照屏幕上的指示操作安装 Windows® 10。

安装驱动

1. 启动您的计算机进入 Windows® 10。
2. 将 MSI® 驱动光盘放入您光驱中。
3. 点击 **Select to choose what happens with this disc** 弹出式通知, 然后选择 **Run DVDSetup.exe** 来打开安装程序。如果从 Windows 控制面板关闭 AutoPlay 功能, 您仍然可以从 MSI 驱动程序光盘的根路径手动执行 **DVDSetup.exe**。
4. 安装程序将在 **Drivers/Software** 选项卡中查找并列出所有必要的驱动程序。
5. 点击窗口右下角的 **Install** 按钮。
6. 驱动程序的安装将继续进行, 完成后将提示您重新启动。
7. 点击 **OK** 按钮完成安装。
8. 重新启动您的电脑。

安装工具

在安装工具前, 您需先完成驱动的安装。

1. 如上所述打开安装程序。
2. 点击 **Utilities** 选项卡。
3. 选择您需要安装的工具。
4. 点击窗口右下角的 **Install** 按钮。
5. 工具安装开始进行, 完成安装后将提醒您重启。
6. 点击 **OK** 按钮完成安装。
7. 重新启动您的电脑。

UEFI BIOS

MSI UEFI BIOS 与 UEFI (Unified Extensible Firmware Interface) 体系结构兼容。UEFI 具有传统 BIOS 无法实现的许多新功能和优势,未来将完全取代 BIOS。MSI UEFI BIOS 使用 UEFI 作为默认引导模式,充分利用新芯片组的功能。然而,它仍然有一个 CSM (兼容性支持模块) 模式,以兼容旧的设备。这让您在过渡期间用 UEFI 兼容的设备替换旧设备。



注意

除非另有说明,否则本用户指南中的术语 BIOS 指 UEFI BIOS。

UEFI 优势

- 快速启动 - UEFI 可直接启动操作系统,并保存 BIOS 自检过程。同时还消除了 POST 期间切换到 CSM 模式的时间。
- 支持大于 2 TB 的硬盘分区。
- 通过 GUID 分区表 (GPT) 支持 4 个以上的主分区。
- 支持无限数量的分区。
- 支持新设备的全部功能 - 新设备可能不提供向后兼容性。
- 支持安全启动 - UEFI 可检查操作系统的有效性,以确保没有恶意软件篡改启动过程。

不兼容的 UEFI 情况

- **32位 Windows 操作系统** - 此主板仅支持 Windows 10 64位操作系统。
- **较旧的显卡** - 系统将检测您的显卡。当显示警告消息时 **There is no GOP (Graphics Output protocol) support detected in this graphics card**,在此显卡中未检测到 GOP (Graphics Output protocol) 支持。

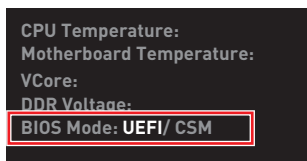


注意

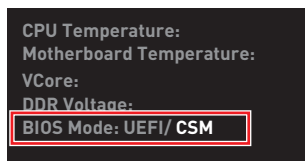
我们建议您使用 GOP/UEFI 兼容的显卡。

如何检查 BIOS 模式?

进入 BIOS后,在屏幕顶部找到 BIOS 模式。



UEFI 引导模式



CSM 引导模式

BIOS 设置

在正常情况下，默认设置为系统稳定提供最佳性能。您应该**始终保持默认设置**，以避免可能出现的系统损坏或无法开机，除非您熟悉 BIOS 设置。



• 为了获得更好的系统性能，BIOS 项目描述不断更新。因此，这些描述可能有些稍微的不同，仅供参考。您也可以参考 BIOS 项目描述的**帮助**信息面板。

- 本章中的图片仅供参考，可能与您所购买的产品而有差异。
- BIOS 项目将随处理器而变化。

进入 BIOS 设置

在开机程序中，当屏幕上出现 **Press DEL key to enter Setup Menu, F11 to enter Boot Menu** 信息，按下 **Delete** 键。

功能键

F1: 主题帮助列表

F2: 添加/删除一个最喜欢的项目

F3: 进入 Favorites 客制化选单功能菜单

F4: 进入 CPU 规格菜单

F5: 进入 Memory-Z 菜单

F6: 载入优化设置默认值

F7: 高级模式 and EZ 模式之间切换

F8: 载入超频参数

F9: 保存超频参数

F10: 保存更改并重新启*

F12: 采取截图并将其保存到 U 盘中 (仅适用于 FAT/ FAT32 格式)。

Ctrl+F: 进入搜索页面

* 当您按 F10 时，会出现一个确认窗口，它提供了变更信息。请依您的需求选择 Yes 或 No。

重启 BIOS

您可能需要还原默认的 BIOS 设置来解决某些问题。有几种方法来重启 BIOS：

- 转到 BIOS，然后按 **F6** 载入优化设置默认值。
- 短路主板上的清除 CMOS 跳线。



注意

在清除 CMOS 数据之前，请确保计算机已关机。请参考清除 CMOS 跳线部分，以了解重启 BIOS 的相关信息。

更新 BIOS

使用 M-FLASH 更新 BIOS

更新前：

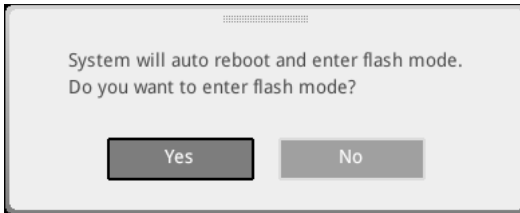
请从 MSI 的网站下载符合您主板型号的最新 BIOS 文件。然后将 BIOS 文件保存到 U 盘中。

更新 BIOS：

1. 插入内有欲更新文件的 U 盘到 USB 端口上。
2. 请参考以下方法进入 flash 模式。
 - 在 POST 过程中重启并按 **Ctrl + F5** 键，然后点击 **Yes** 以重新启动系统。

Press <Ctrl+F5> to activate M-Flash for BIOS update.

- 在 POST 过程中重启并按 **Del** 键进入 BIOS。单击 **M-FLASH** 按钮，然后点击 **Yes** 以重新启动系统。



3. 选择一个 BIOS 文件执行 BIOS 更新过程。
4. 出现提示时，单击 Yes 开始恢复 BIOS。
5. 刷新 100% 完成后，系统将自动重启。

使用 MSI DRAGON CENTER 更新 BIOS

更新前：

请确认已安装 LAN 驱动程序以及正确设置因特网连接。

更新 BIOS：

1. 安装并运行 MSI DRAGON CENTER, 然后转到 **Support** 页面。
2. 选择 **Live Update** , 然后单击高级按钮。



3. 点击 **Scan** 按钮以搜索最新的 BIOS 文件。
4. 选择 BIOS 文件, 然后点击 **Download** 图标下载并安装最新的 BIOS 文件。
5. 单击 **Next**, 选择 **In Windows mode**. 然后再单击 **Next** 以及 **Start** 以开始更新 BIOS。
6. 刷新 100% 完成后, 系统将自动重启。

EZ 模式

EZ 模式，它提供了基本的系统信息，并允许您配置基本设置。请通过按**设置模式开关**或**F7** 功能键进入高级模式下，来配置高级 BIOS 设置。



• **GAME BOOST 游戏加速引擎** - 点击此按钮来切换 GAME BOOST 游戏加速引擎用于超频。此功能仅当主板和 CPU 都支持此功能时才可用。



注意

激活 **GAME BOOST 游戏加速引擎** 功能后，请勿更改 OC 菜单并且不要加载默认值，以保持最佳的性能和系统稳定性。

- **XMP 配置文件** - 允许您选择 XMP 配置文件用于内存超频。此功能仅当系统，内存和 CPU 支持此功能时才可用。
- **设置模式开关** - 按此选项卡或 **F7** 键至高级模式 and EZ 模式之间切换。
- **截图** - 点击此选项卡或 **F12** 键来采取截图并将其保存到 U 盘中 (仅适用于 FAT/ FAT32 格式)。
- **搜索** - 点击此选项卡或 **Ctrl+F** 键，搜索页面将显示。它可以让您通过关键字搜索 BIOS 项目。将鼠标移动到空白处，然后右键单击鼠标退出搜索页面。



注意

在搜索页面中，只有 **F6**, **F10** 和 **F12** 功能键可用。

- **语言** - 允许您选择 BIOS 设置语言。
- **系统信息** - 显示 CPU/ DDR 速率, CPU/ MB 温度, MB/ CPU 类型, 内存大小, CPU/ DDR 电压, BIOS 版本和创建日期。
- **启动设备优先权栏** - 您可以移动设备图标来改变启动设备优先权。从高到低的引导优先级是左到右。
- **组件信息** - 点击 **CPU, Memory, Storage, Fan Info** 以及 **Help** 按钮来显示所连接组件的信息。
- **功能按钮** - 通过点击这些按钮启用或禁用这些功能。当按钮显示为 **ON** 时, 启用该功能。



注意

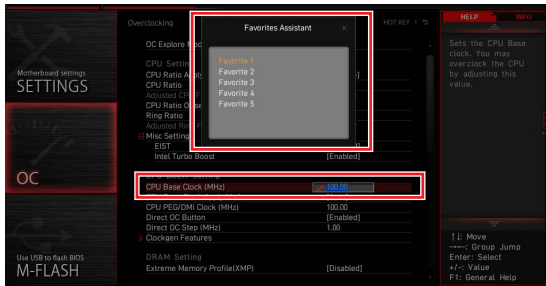
功能按钮将随您购买的主板而变化。

- **M-Flash** - 点击此按钮可以进入 **M-Flash** 功能, 它提供以 U 盘方式来更新 BIOS。
- **硬件监视器** - 点击此按钮可以进入 **Hardware Monitor** 菜单, 允许您通过百分比设置控制风扇转速。
- **Favorites 客制化选单功能** - 点击此按钮或按 **F3** 键即可显示 **Favorites 客制化选单功能** 窗口。它提供 5 个菜单供您创建您的个人 BIOS 菜单, 您可以保存和访问最喜欢/最常用 BIOS 设置系统。



▪ 将 BIOS 选项加入到一个最爱菜单中

1. 选择 BIOS 选项, 包含 BIOS 菜单及搜索页面。
2. 单击右键或按 **F2** 键。
3. 选择一个最爱的页面, 然后点击 **OK**。



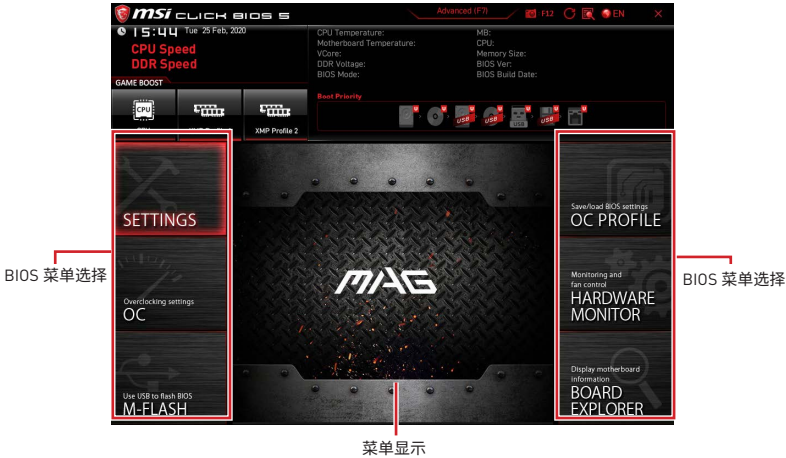
▪ 从最爱菜单中删除 BIOS 选项

1. 从最爱菜单选择一个 BIOS 选项。
2. 单击右键或按 **F2** 键。
3. 选择 **Delete** 并点击 **OK**。



高级模式

在 BIOS 设置中按**设置模式开关**或 **F7** 功能键可以在 EZ 模式和高级模式之间进行切换。



- **BIOS 菜单选择** - 下列选项是可用的：
 - **SETTINGS** - 允许您来指定芯片组和启动设备的参数。
 - **OC** - 允许您来调整频率和电压，增加频率可能获得更好的性能。
 - **M-FLASH** - 提供 U 盘来更新 BIOS。
 - **OC PROFILE** - 允许您管理超频配置文件。
 - **HARDWARE MONITOR** - 允许您来设置风扇速度和检测系统电压。
 - **BOARD EXPLORER** - 提供主板上已安装的设备信息。
- **菜单显示** - 提供了可配置的 BIOS 设置和信息。

OC 菜单

此菜单可让您配置用于超频的频率和电压。请注意，越高的频率和电压可能有利于超频能力，但会导致系统不稳定。



注意

- 仅建议高级用户手动超频您的电脑。
- 超频没有任何保障，不正确的操作可能导致保修无效或严重损坏您的硬件。
- 如果您对超频不熟悉，我们建议您使用易超频的 **GAME BOOST 游戏加速引擎** 功能选项。
- OC 菜单中的 BIOS 项目将随处理器而变化。

► OC Explore Mode [Normal]

开启或关闭对超频设置的一般或专业版本的显示。

[Normal] 在 BIOS 设置中提供正常的超频设置。

[Expert] 在 BIOS 设置中提供专业超频设置为有经验用户来配置。

注意：对于专业模式超频设置我们使用 * 作为标志。

► CPU Ratio Apply Mode [All Core]*

设置 CPU 倍频的应用模式。此项仅在安装的 CPU 支持 **Turbo Boost** 时出现。

► CPU Ratio [Auto]

此项调整 CPU 倍频以决定 CPU 时脉速度。此项仅在 **CPU Ratio Apply Mode** 设置为 **All Core** 时出现。

► Adjusted CPU Frequency

显示已经调整的 CPU 频率。只读。

► Advanced CPU Configuration

按 **Enter** 进入子菜单。用户可以为设置 CPU 功率/电流。参数变更后系统可能变得不稳定或无法启动。如果发生这种情况，请清除 CMOS 数据并且恢复默认设置。

► CPU Ratio Offset When Running AVX [Auto]

设置一个偏移值以降低 CPU 核心比率。当运行 AVX 指令时，它有利于帮助散热。当设置为 Auto，BIOS 将自动配置此设置。此项在安装的 CPU 支持此功能时出现。

► Ring Ratio [Auto]

设置 ring ratio 选项。有效值范围取决于已安装的 CPU。

► Adjusted Ring Frequency

显示已调整的 Ring 频率。只读。

▶ GT Ratio [Auto]

设置板载显卡比率。有效值范围取决于已安装的 CPU。

▶ Adjusted GT Frequency

显示已调整的板载显卡频率。只读。

▶ Extreme Memory Profile (XMP) [Disabled]

XMP (扩展内存配置文件) 是内存模组提供的超频技术。请开启 XMP 或内存模组配置文件以超频内存。此项在被安装的内存模组支持 XMP 技术时可用。

▶ Memory Try It ! [Disabled]

此功能通过选择最优化的内存预设值来提高内存兼容性和性能。

▶ DRAM Timing Mode [Link]

选择内存时序模式。

[Link] 允许用户手动为所有内存通道配置内存时序。

[UnLink] 允许用户手动为各自内存通道配置内存时序。

▶ Advanced DRAM Configuration

按 **Enter** 进入子菜单。用户可以为内存的每个/所有通道设置内存时序。内存时序改变后系统可能变得不稳定或无法启动。如果发生这种情况,请清除 CMOS 数据并且恢复默认设置。[参阅清除 CMOS 跳线/按钮章节来清除 CMOS 数据,并进入 BIOS 加载默认设置。]

▶ Memory Fast Boot [Auto] *

开启或关闭内存每次开机时的初始化和自我检测。

[Auto] 此设置由 BIOS 自动配置。

[Enabled] 对于内存系统将完全继续第一次开机的初始化和自检配置。当第一次开机后,内存不再需要初始化和自检,以便加快系统开机速度。

[Disabled] 每次启动内存模块都会初始化并自检。

[Training] 每次启动内存模块都会自检。

▶ DigitALL Power sub-menu

按 **Enter** 进入子菜单。在子菜单中,您可以为 CPU 设置一些有关电压/电流/温度的保护条件。

▶ CPU Core Voltage Monitor [VCC Sense]

选择 CPU 内核电压的监视源。

▶ CPU Voltages control [Auto]

这些选项允许您设置与 CPU 相关的指定电压。如果设置为 **Auto**, BIOS 将自动设置电压或者您可以手动地设置它。

► **DRAM Voltages control [Auto]**

这些选项允许您设置与内存相关的指定电压。如果设置为 **Auto**, BIOS 将自动设置电压或者您可以手动地设置它。

► **CPU Memory Changed Detect [Enabled]***

此项开启或关闭 CPU 或内存变更后, 系统开机发出警告信息。

[Enabled] 系统会在开机时发出警告信息和您必须为新设备载入默认值。

[Disabled] 关闭此功能, 当 CPU 或内存更改时, 仍使用当前设置。

► **CPU Specifications sub-menu**

按 **Enter** 进入子菜单。此子菜单显示已安装 CPU 的信息。您也可以通过按 [F4] 在任何时间访问此信息菜单。只读。

► **MEMORY-Z sub-menu**

按 **Enter** 进入子菜单。此子菜单显示所有设置和已安装内存时序。您也可以任何时间通过长按 [F5] 来访问此信息。

► **CPU Features sub-menu**

按 **Enter** 进入子菜单。您可以开启或关闭 CPU 功能和技术来保护 CPU 并提高系统性能。

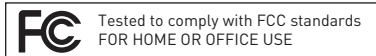
Regulatory Notices

FCC Compliance Statement

Note: This equipment has been tested and found to comply with the limits for a Class B digital device, pursuant to part 15 of the FCC Rules. These limits are designed to provide reasonable protection against harmful interference in a residential installation. This equipment generates, uses and can radiate radio frequency energy and, if not installed and used in accordance with the instructions, may cause harmful interference to radio communications. However, there is no guarantee that interference will not occur in a particular installation. If this equipment does cause harmful interference to radio or television reception, which can be determined by turning the equipment off and on, the user is encouraged to try to correct the interference by one or more of the following measures:

- Reorient or relocate the receiving antenna.
- Increase the separation between the equipment and receiver.
- Connect the equipment into an outlet on a circuit different from that to which the receiver is connected.
- Consult the dealer or an experienced radio/TV technician for help.

Caution: Changes or modifications not expressly approved by the party responsible for compliance could void the user's authority to operate the equipment.



This device complies with part 15 of the FCC Rules. Operation is subject to the following two conditions:

- (1) This device may not cause harmful interference, and (2) this device must accept any interference received, including interference that may cause undesired operation.

CE Conformity

CE Products bearing the CE marking comply with one or more of the following EU Directives as may be applicable:

RED 2014/53/EU; Low Voltage Directive 2014/35/EU; EMC Directive 2014/30/EU; RoHS Directive 2011/65/EU.

Compliance with these directives is assessed using applicable European Harmonized Standards.

The point of contact for regulatory matters is MSI, MSI-NL Eindhoven 5706 5692 ER Son.

KC 인증서



R-R-MSI-MS-7C81

상호: (주)엠에스아이코리아
제품명: 메인보드
모델명: MS-7C81
제조년월: 2020년
제조사 및 제조국가: MSI/중국

クラスB情報技術装置



この装置は、クラスB情報技術装置です。この装置は、家庭環境で使用することを目的としています。この装置がラジオやテレビジョン受信機に近接して使用されると、受信障害を引き起こすことがあります。取扱説明書に従って正しい取り扱いをして下さい。

C-Tick Compliance



Battery Information

European Union:



Batteries, battery packs, and accumulators should not be disposed of as unsorted household waste. Please use the public collection system to return, recycle, or treat them in compliance with the local regulations.

Taiwan:



廢電池請回收

For better environmental protection, waste batteries should be collected separately for recycling or special disposal.

California, USA:



The button cell battery may contain perchlorate material and requires special handling when recycled or disposed of in California.

For further information please visit:

<http://www.dtsc.ca.gov/hazardouswaste/perchlorate/>

CAUTION: There is a risk of explosion, if battery is incorrectly replaced.

Replace only with the same or equivalent type recommended by the manufacturer.

Chemical Substances Information

In compliance with chemical substances regulations, such as the EU REACH Regulation (Regulation EC No. 1907/2006 of the European Parliament and the Council), MSI provides the information of chemical substances in products at:

https://storage-asset.msi.com/html/popup/csr/evmtprrt_pcm.html

Environmental Policy

- The product has been designed to enable proper reuse of parts and recycling and should not be thrown away at its end of life.
- Users should contact the local authorized point of collection for recycling and disposing of their end-of-life products.
- Visit the MSI website and locate a nearby distributor for further recycling information.
- Users may also reach us at gpcontdev@msi.com for information regarding proper Disposal, Take-back, Recycling, and Disassembly of MSI products.



WEEE (Waste Electrical and Electronic Equipment) Statement

ENGLISH

To protect the global environment and as an environmentalist, MSI must remind you that...



Under the European Union ("EU") Directive on Waste Electrical and Electronic Equipment, Directive 2002/96/EC, which takes effect on August 13, 2005, products of "electrical and electronic equipment" cannot be discarded as

municipal wastes anymore, and manufacturers of covered electronic equipment will be obligated to take back such products at the end of their useful life. MSI will comply with the product take back requirements at the end of life of MSI-branded products that are sold into the EU. You can return these products to local collection points.

DEUTSCH

Hinweis von MSI zur Erhaltung und Schutz unserer Umwelt

Gemäß der Richtlinie 2002/96/EG über Elektro- und Elektronik-Altgeräte dürfen Elektro- und Elektronik-Altgeräte nicht mehr als kommunale Abfälle entsorgt werden. MSI hat europaweit verschiedene Sammel- und Recyclingunternehmen beauftragt, die in die Europäische Union in Verkehr gebrachten Produkte, am Ende seines Lebenszyklus zurückzunehmen. Bitte entsorgen Sie dieses Produkt zum gegebenen Zeitpunkt ausschließlich an einer lokalen Altgerätesammelstelle in Ihrer Nähe.

FRANÇAIS

En tant qu'écologiste et afin de protéger l'environnement, MSI tient à rappeler ceci...

Au sujet de la directive européenne (EU) relative aux déchets des équipements électriques et électroniques, directive 2002/96/EC, prenant effet le 13 août 2005, que les produits électriques et électroniques ne peuvent être déposés dans les décharges ou tout simplement mis à la poubelle. Les fabricants de ces équipements seront obligés de récupérer certains produits en fin de vie. MSI prendra en compte cette exigence relative au retour des produits en fin de vie au sein de la communauté européenne. Par conséquent vous pouvez retourner localement ces matériels dans les points de collecte.

РУССКИЙ

Компания MSI предпринимает активные действия по защите окружающей среды, поэтому напоминаем вам, что....

В соответствии с директивой Европейского Союза (ЕС) по предотвращению загрязнения окружающей среды использованном электрическим и электронным оборудованием (директива WEEE 2002/96/ЕС), вступающей в силу 13 августа 2005 года, изделия, относящиеся к электрическому и электронному оборудованию, не могут рассматриваться как бытовой мусор, поэтому производители вышеперечисленного электронного оборудования обязаны принимать его для переработки по окончании срока службы. MSI обязуется соблюдать требования по приему продукции, проданной под маркой MSI на территории ЕС, в переработку по окончании срока службы. Вы можете вернуть эти изделия в специализированные пункты приема.

ESPAÑOL

MSI como empresa comprometida con la protección del medio ambiente, recomienda:

Bajo la directiva 2002/96/EC de la Unión Europea en materia de desechos y/o equipos electrónicos, con fecha de rigor desde el 13 de agosto de 2005, los productos clasificados como "eléctricos y equipos electrónicos" no pueden ser depositados en los contenedores habituales de su municipio, los fabricantes de equipos electrónicos, están obligados a hacerse cargo de dichos productos al termino de

su período de vida. MSI estará comprometido con los términos de recogida de sus productos vendidos en la Unión Europea al final de su período de vida. Usted debe depositar estos productos en el punto limpio establecido por el ayuntamiento de su localidad o entregar a una empresa autorizada para la recogida de estos residuos.

NEDERLANDS

Om het milieu te beschermen, wil MSI u eraan herinneren dat....

De richtlijn van de Europese Unie (EU) met betrekking tot Vervuiling van Electricische en Electronische producten (2002/96/EC), die op 13 Augustus 2005 in zal gaan kunnen niet meer beschouwd worden als vervuiling. Fabrikanten van dit soort producten worden verplicht om producten retour te nemen aan het eind van hun levenscyclus. MSI zal overeenkomstig de richtlijn handelen voor de producten die de merknaam MSI dragen en verkocht zijn in de EU. Deze goederen kunnen geretourneerd worden op lokale inzamelingspunten.

SRPSKI

Da bi zaštitili prirodnu sredinu, i kao preduzeće koje vodi računa o okolini i prirodnoj sredini, MSI mora da vas podesti da....

Po Direktivi Evropske unije ("UE") o odbačenoj elektonskoj i električnoj opremi, Direktiva 2002/96/EC, koja stupa na snagu od 13. Avgusta 2005, proizvođači koji spadaju pod "elektonsku i električnu opremu" ne mogu više biti odbačeni kao običan otpad i proizvođači ove opreme biti prinuđeni da uzmu natrag ove proizvode na kraju njihovog uobičajenog veka trajanja. MSI će poštovati zahtev o preuzimanju ovakvih proizvoda kojima je istekao vek trajanja, koji imaju MSI oznaku i koji su prodati u EU. Ove proizvode možete vratiti na lokalnim mestima za prikupljanje.

POLSKI

Aby chronić nasze środowisko naturalne oraz jako firma dbająca o ekologię, MSI przypominam, że....

Zgodnie z Dyrektywą Unii Europejskiej ("UE") dotycząca odpadów produktów elektrycznych i elektronicznych (Dyrektywa 2002/96/EC), która wchodzi w życie 13 sierpnia 2005, tzw. "produkty oraz wyposażenie elektryczne i elektroniczne" nie mogą być traktowane jako śmieci komunalne, tak więc producenci tych produktów będą zobowiązani do odbierania ich w momencie gdy produkt jest wycofywany z użycia. MSI wypelni wymagania UE, przyjmując produkty [sprzedawane na terenie Unii Europejskiej] wycofywane z użycia. Produkty MSI będzie można zwracać w wyznaczonych punktach zbiorczych.

TÜRKÇE

Çevreci özelliğiyle bilinen MSI dünyada çevreyi korumak için hatırlatır:

Avrupa Birliği (AB) Kararnamesi Elektrik ve Elektronik Malzeme Atığı, 2002/96/EC Kararnamesi altında 13 Ağustos 2005 tarihinden itibaren itibaren geçerli olmak üzere, elektrikli ve elektronik malzemeler diğer atıklar gibi çöpe atılmayacak ve bu elektronik cihazların üreticileri, cihazların kullanım süreleri bittikten sonra ürünleri geri toplamakla yükümlü olacaktır. Avrupa Birliği'ne satılan MSI markalı ürünlerin kullanım süreleri bittiğinde MSI ürünlerin geri alınması isteği ile işbirliği içerisinde olacaktır. Ürünlerinizi yerel toplama noktalarına bırakabilirsiniz.

ČESKY

Záleží nám na ochraně životního prostředí - společnost MSI upozorňuje...

Podle směrnice Evropské unie ("EU") o likvidaci elektrických a elektronických výrobků 2002/96/EC platné od 13. srpna 2005 je zakázáno likvidovat "elektrické a elektronické výrobky" v běžném komunálním odpadu a výrobci elektronických výrobků, na které se tato směrnice vztahuje, budou povinni odebírat takové výrobky zpět po skončení jejich životnosti. Společnost MSI splní požadavky na odebírání výrobků značky MSI, prodávaných v zemích EU, po skončení jejich životnosti. Tyto výrobky můžete odevzdat v místních sběrnách.

MAGYAR

Annak érdekében, hogy környezetünket megvédjük, illetve környezetvédként fellépve az MSI emlékezteti Önt, hogy ...

Az Európai Unió („EU”) 2005. augusztus 13-án hatályba lépő, az elektromos és elektronikus berendezések hulladékairól szóló 2002/96/EK irányelve szerint az elektromos és elektronikus berendezések többé nem kezelhetőek lakossági hulladékként, és az ilyen elektronikus berendezések gyártói kötelessé válnak az ilyen termékek visszavételére azok hasznos élettartama végén. Az MSI betartja a termékvisszavétellel kapcsolatos követelményeket az MSI márkanév alatt az EU-n belül értékesített termékek esetében, azok élettartamának végén. Az ilyen termékeket a legközelebbi gyűjtőhelyre viheti.

ITALIANO

Per proteggere l'ambiente, MSI, da sempre amica della natura, ti ricorda che....

In base alla Direttiva dell'Unione Europea (EU) sullo Smaltimento dei Materiali Elettrici ed Elettronici, Direttiva 2002/96/EC in vigore dal 13 Agosto 2005, prodotti appartenenti alla categoria dei Materiali Elettrici ed Elettronici non possono più essere eliminati come rifiuti municipali: i produttori di detti materiali saranno obbligati a ritirare ogni prodotto alla fine del suo ciclo di vita. MSI si addeguerà a tale Direttiva ritirando tutti i prodotti marchiati MSI che sono stati venduti all'interno dell'Unione Europea alla fine del loro ciclo di vita. È possibile portare i prodotti nel più vicino punto di raccolta

日本JIS C 0950材質宣言

日本工業規格JIS C 0950により、2006年7月1日以降に販売される特定分野の電気および電子機器について、製造者による含有物質の表示が義務付けられます。

https://storage-asset.msi.com/html/popup/csr/cemm_jp.html

India RoHS

This product complies with the "India E-waste (Management and Handling) Rule 2011" and prohibits use of lead, mercury, hexavalent chromium, polybrominated biphenyls or polybrominated diphenyl ethers in concentrations exceeding 0.1 weight % and 0.01 weight % for cadmium, except for the exemptions set in Schedule 2 of the Rule.

Türkiye EEE yönetmeliği

Türkiye Cumhuriyeti: EEE Yönetmeliğine Uygundur


Україна обмеження на наявність небезпечних речовин

Обладнання відповідає вимогам Технічного регламенту щодо обмеження використання деяких небезпечних речовин в електричному та електронному обладнанні, затвердженого постановою Кабінету Міністрів України від 3 грудня 2008 № 1057.

Việt Nam RoHS

Kể từ ngày 01/12/2012, tất cả các sản phẩm do công ty MSI sản xuất tuân thủ Thông tư số 30/2011/TT-BCT quy định tạm thời về giới hạn hàm lượng cho phép của một số hóa chất độc hại có trong các sản phẩm điện, điện tử

MS-7C81主板产品中有害物质的名称及含量

部件名称	有害物质					
	铅 [Pb]	汞 [Hg]	镉 [Cd]	六价铬 [Cr(VI)]	多溴联苯 [PBB]	多溴二苯醚 [PBDE]
印刷电路板组件*	×	○	○	○	○	○
电池** 	×	○	○	○	○	○
外部信号连接头	×	○	○	○	○	○
线材	×	○	○	○	○	○

本表格依据 SJ/T 11364 的规定编制。

○: 表示该有害物质在该部件所有均质材料中的含量均在 GB/T 26572 规定的限量要求以下。

×: 表示该有害物质至少在该部件的某一均质材料中的含量超出 GB/T 26572 规定的限量要求,但所有部件都符合欧盟RoHS要求。

* 印刷电路板组件: 包括印刷电路板及其构成的零部件。

** 电池本体上如有环保使用期限标识,以本体标识为主。

■ 上述有毒有害物质或元素清单会依型号之部件差异而有所增减。

■ 产品部件本体上如有环保使用期限标识,以本体标识为主。

限用物質含有情況標示聲明書

設備名稱:電腦主機板		型號(型式):MS-7C81					
單元	限用物質及其化學符號						
	鉛 [Pb]	汞 [Hg]	鎘 [Cd]	六價鉻 [Cr ^{VI}]	多溴聯苯 [PBB]	多溴二苯醚 [PBDE]	
電路板	○	○	○	○	○	○	
電子元件	—	○	○	○	○	○	
金屬機構件	—	○	○	○	○	○	
塑膠機構件	○	○	○	○	○	○	

備考1. “超出0.1 wt %”及“超出0.01 wt %”係指限用物質之百分比含量超出百分比含量基準值。

備考2. “○”係指該項限用物質之百分比含量未超出百分比含量基準值。

備考3. “—”係指該項限用物質為排除項目。

Copyright

msi Micro-Star Int'l Co., Ltd.

Copyright © 2020 All rights reserved.

The MSI logo used is a registered trademark of Micro-Star Int'l Co., Ltd. All other marks and names mentioned may be trademarks of their respective owners. No warranty as to accuracy or completeness is expressed or implied. MSI reserves the right to make changes to this document without prior notice.

Revision History

ASIA Version 1.0, 2020/05, First release.

ASIA Version 1.1, 2020/07, updated release.

ASIA Version 1.2, 2020/11, add KCC.

Technical Support

If a problem arises with your system and no solution can be obtained from the user guide, please contact your place of purchase or local distributor. Alternatively, please try the following help resources for further guidance.

- Visit the MSI website for technical guide, BIOS updates, driver updates, and other information: <http://www.msi.com>
- Register your product at: <http://register.msi.com>

