

Quick Start

Thank you for purchasing the MSI® **MEG Z490 UNIFY** motherboard. This Quick Start section provides demonstration diagrams about how to install your computer. Some of the installations also provide video demonstrations. Please link to the URL to watch it with the web browser on your phone or tablet. You may have even link to the URL by scanning the QR code.

Kurzanleitung

Danke, dass Sie das MSI® **MEG Z490 UNIFY** Motherboard gewählt haben. Dieser Abschnitt der Kurzanleitung bietet eine Demo zur Installation Ihres Computers. Manche Installationen bieten auch die Videodemonstrationen. Klicken Sie auf die URL, um diese Videoanleitung mit Ihrem Browser auf Ihrem Handy oder Table anzusehen. Oder scannen Sie auch den QR Code mit Ihrem Handy, um die URL zu öffnen.

Présentation rapide

Merci d'avoir choisi la carte mère MSI® **MEG Z490 UNIFY**. Ce manuel fournit une rapide présentation avec des illustrations explicatives qui vous aideront à assembler votre ordinateur. Des tutoriels vidéo sont disponibles pour certaines étapes. Cliquez sur le lien fourni pour regarder la vidéo sur votre téléphone ou votre tablette. Vous pouvez également accéder au lien en scannant le QR code qui lui est associé.

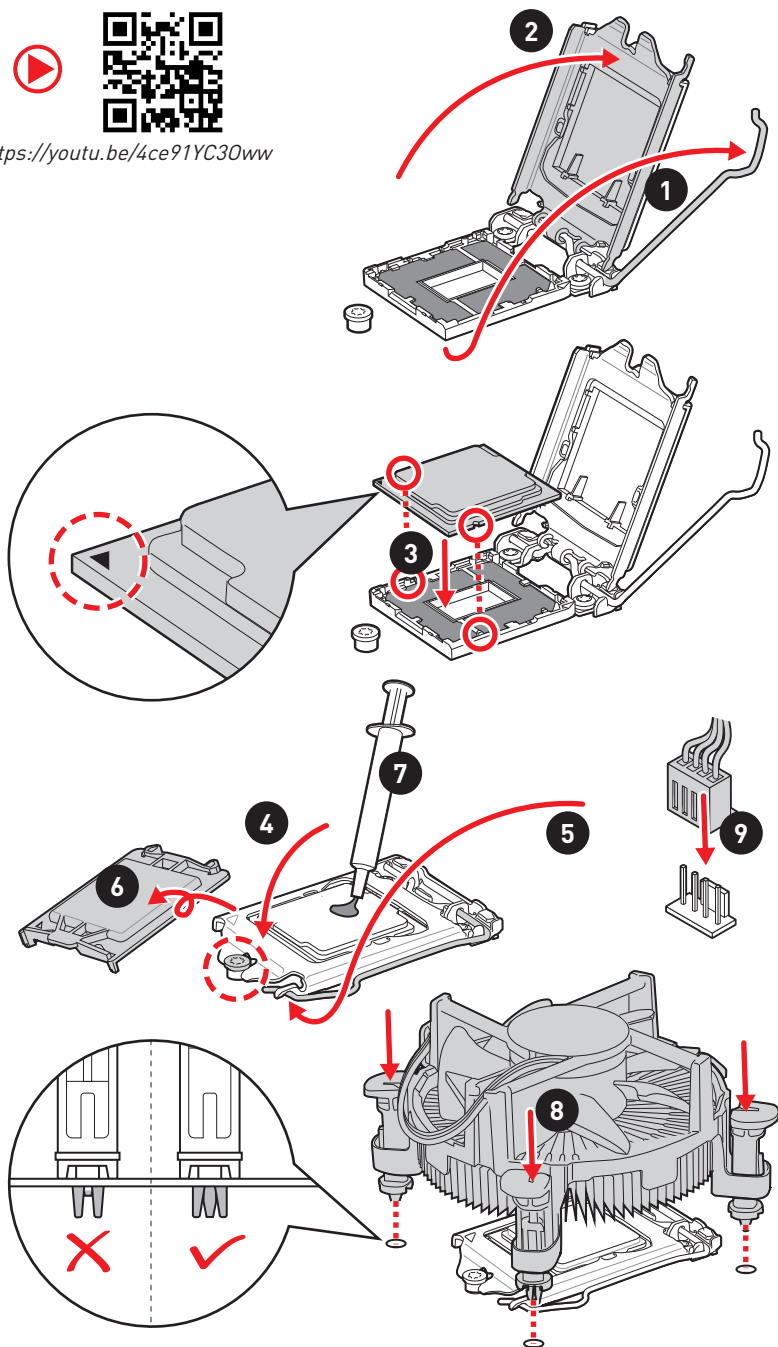
Быстрый старт

Благодарим вас за покупку материнской платы MSI® **MEG Z490 UNIFY**. В этом разделе представлена информация, которая поможет вам при сборке компьютера. Для некоторых этапов сборки имеются видеoinструкции. Для просмотра видео, необходимо открыть соответствующую ссылку в веб-браузере на вашем телефоне или планшете. Вы также можете выполнить переход по ссылке, путем сканирования QR-кода.

Installing a Processor/ Installation des Prozessors/ Installer un processeur/ Установка процессора



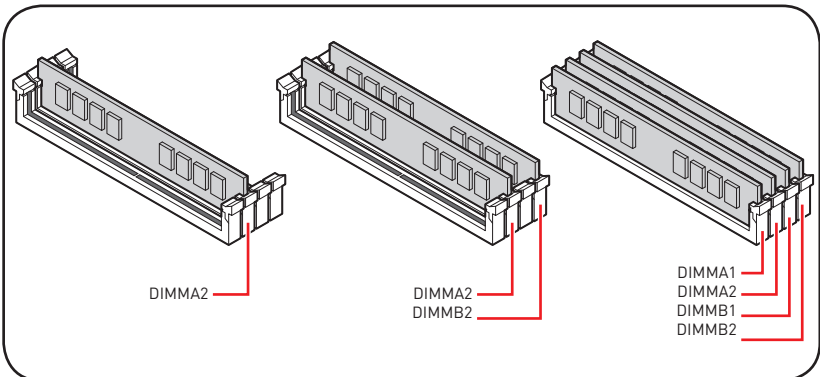
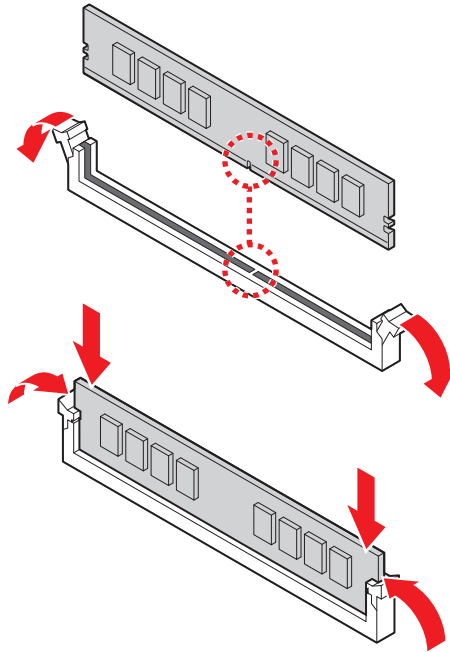
<https://youtu.be/4ce91YC30ww>



Installing DDR4 memory/ Installation des DDR4-Speichers/ Installer une mémoire DDR4/ Установка памяти DDR4



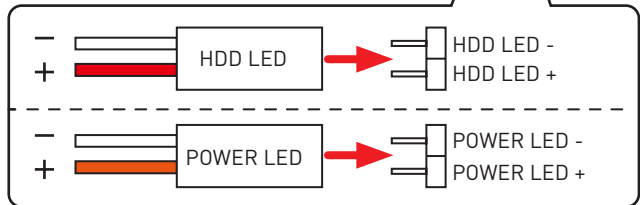
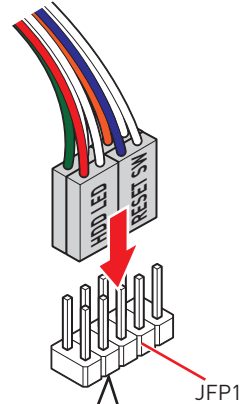
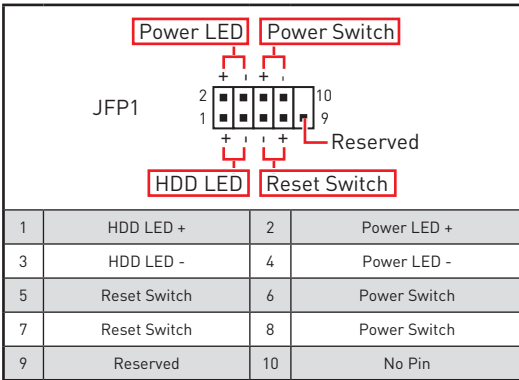
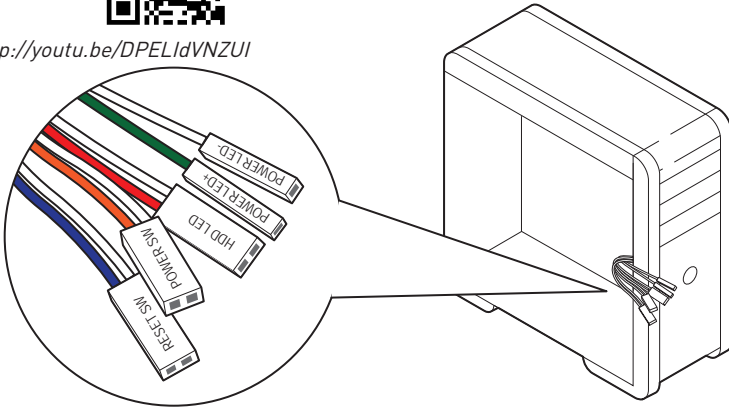
<http://youtu.be/T03aDrJPYqs>



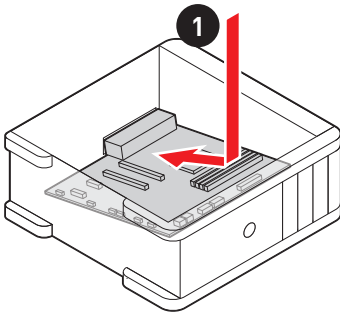
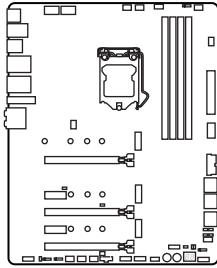
Connecting the Front Panel Header/ Anschließen der Frontpanel-Stiftleiste/ Connecter un connecteur du panneau avant/ Подключение разъемов передней панели



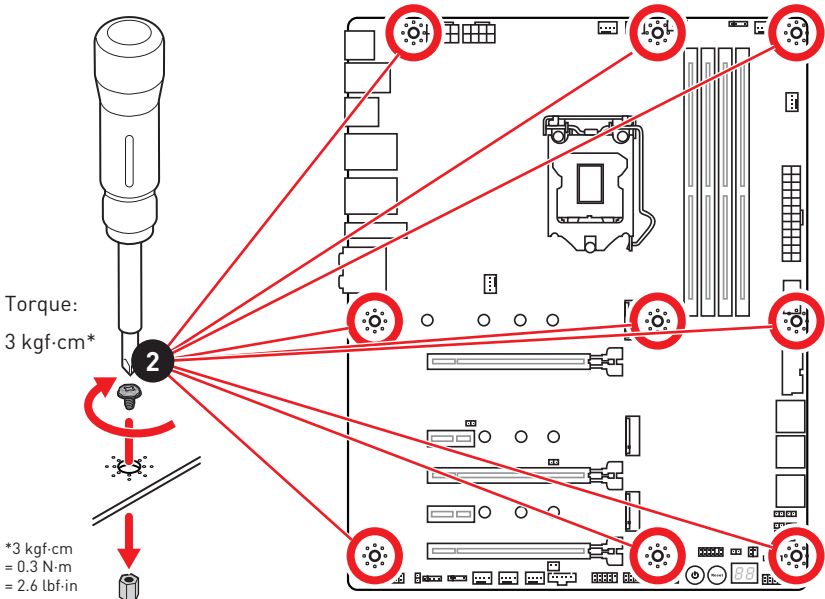
<http://youtu.be/DPELldVNZUI>



Installing the Motherboard/ Installation des Motherboards/ Installer la carte mère/ Установка материнской платы



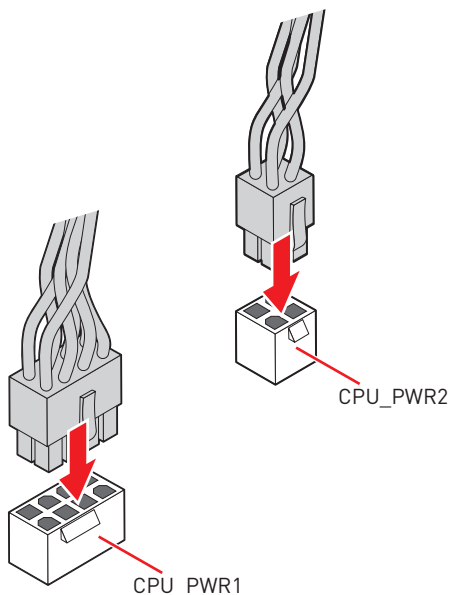
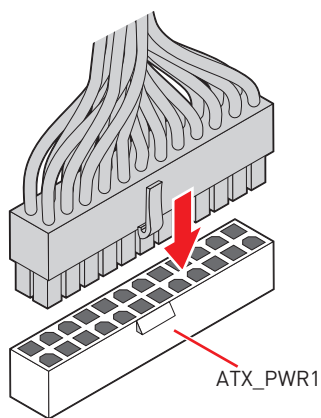
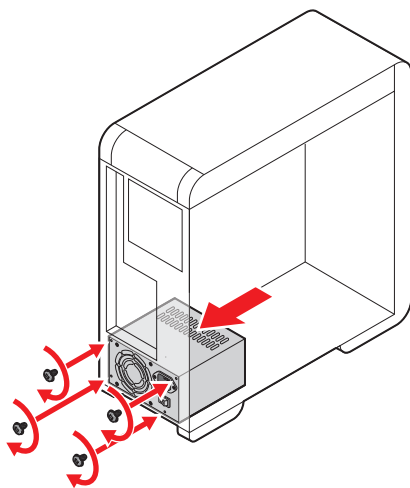
<https://youtu.be/wWI6Qt51Wnc>



Connecting the Power Connectors/ Stromanschlüsse anschließen/ Connecter les câbles du module d'alimentation/ Подключение разъемов питания



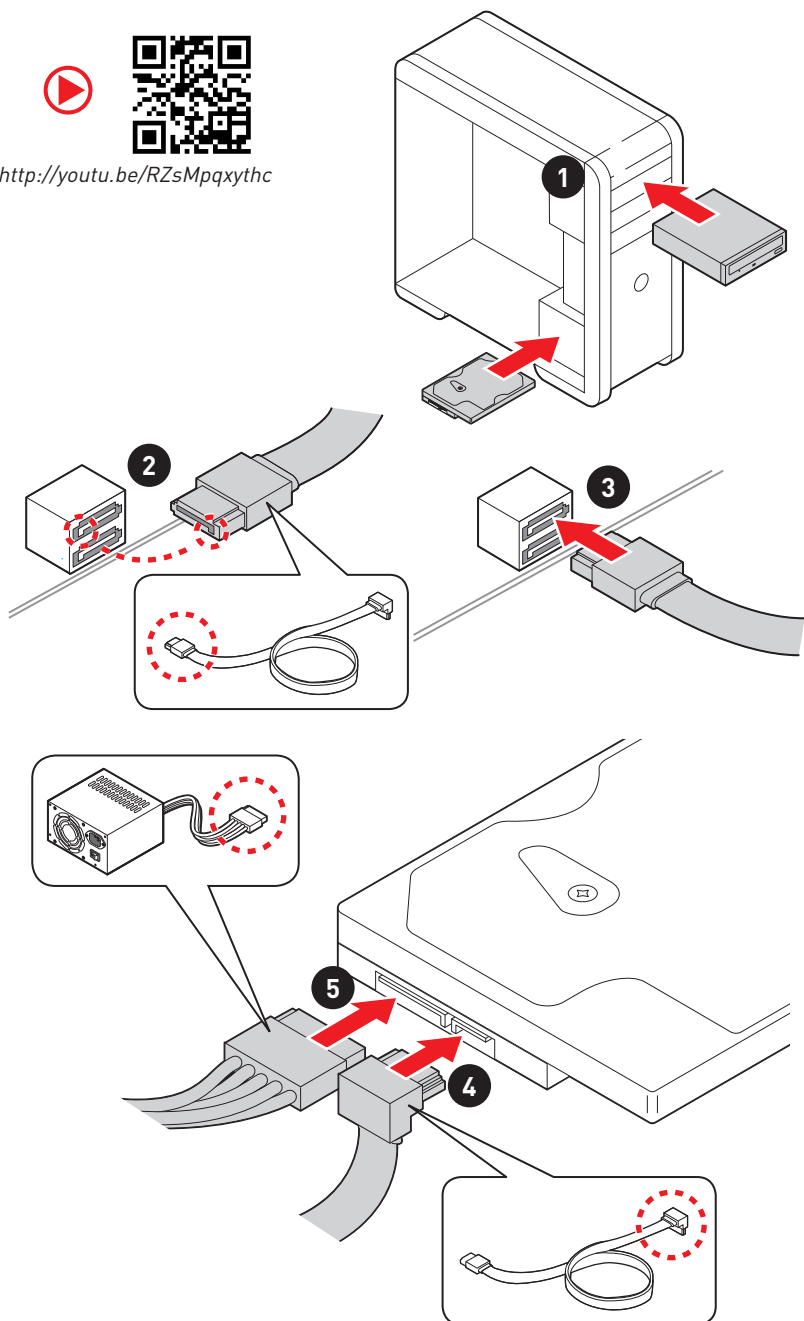
http://youtu.be/gkDYyR_83I4



Installing SATA Drives/ Installation der SATA-Laufwerke/ Installer le disque dur SATA/ Установка дисков SATA



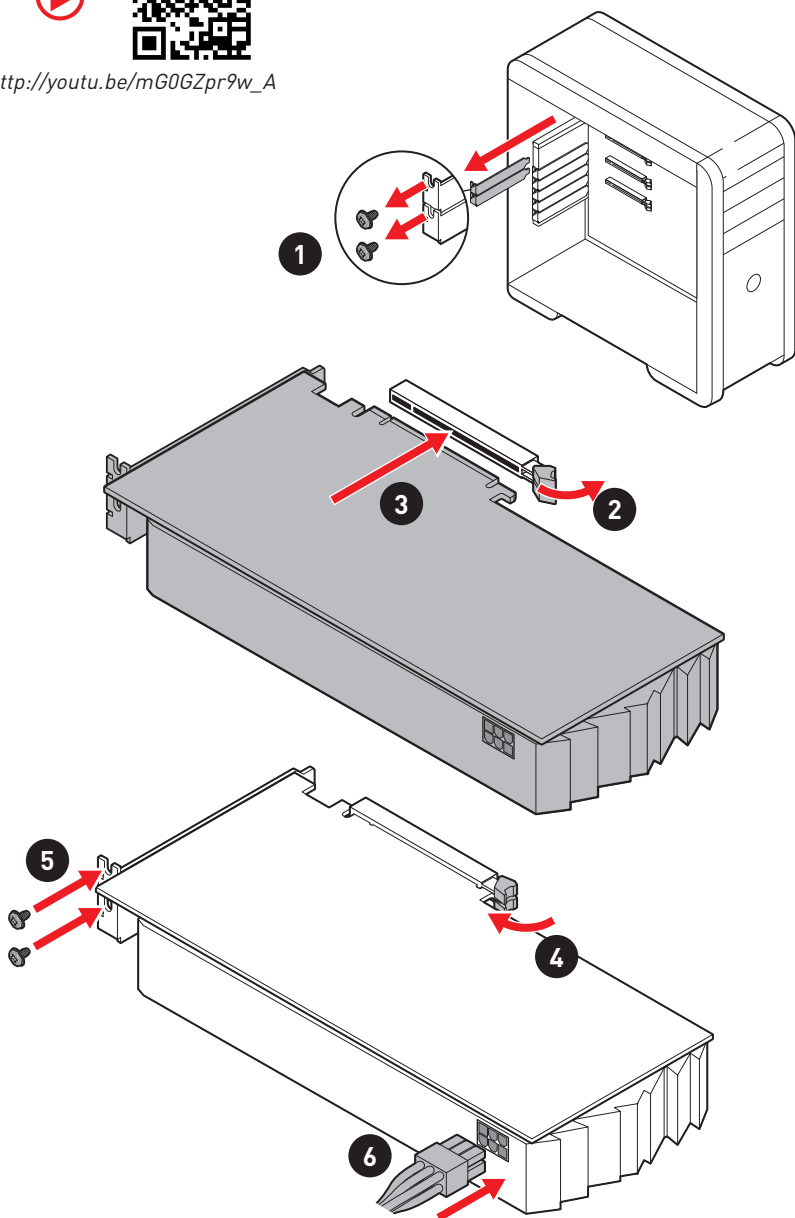
<http://youtu.be/RZsMpqxythc>



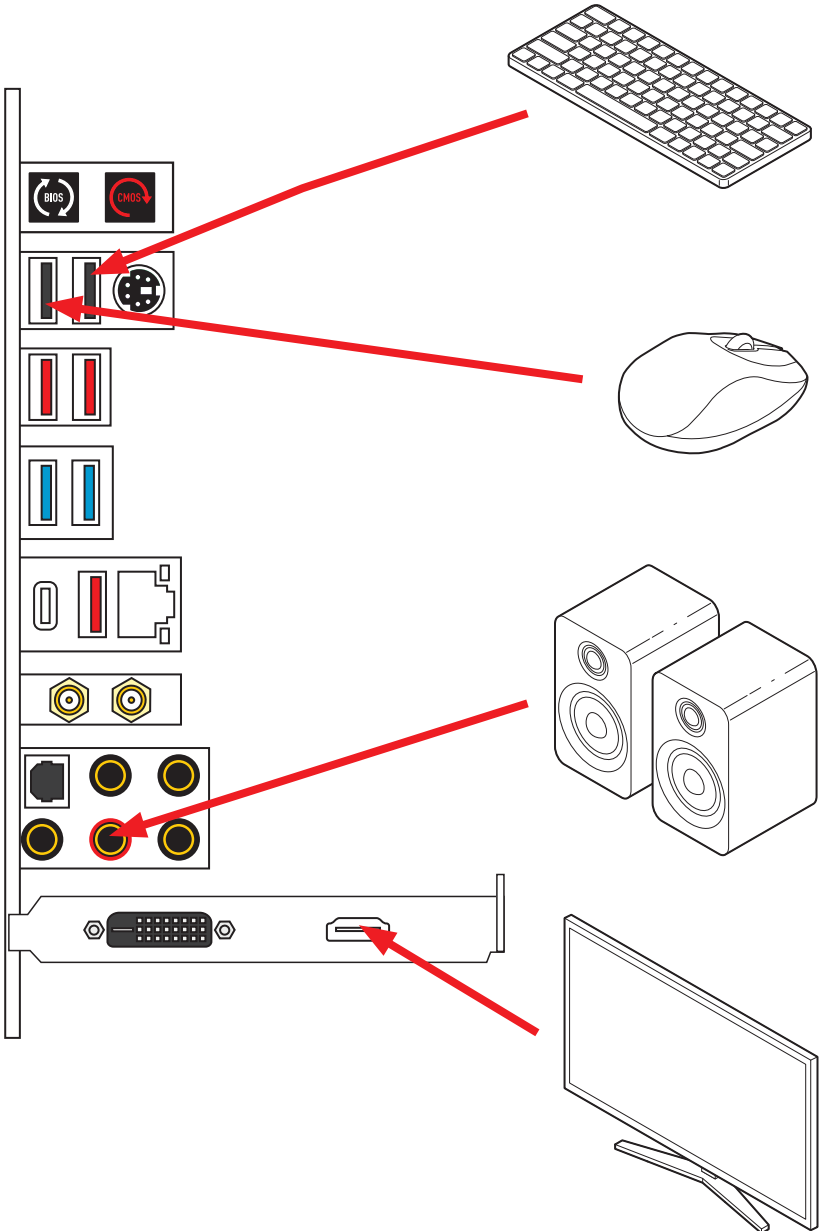
Installing a Graphics Card/ Einbau der Grafikkarte/ Installer une carte graphique/ Установка дискретной видеокарты



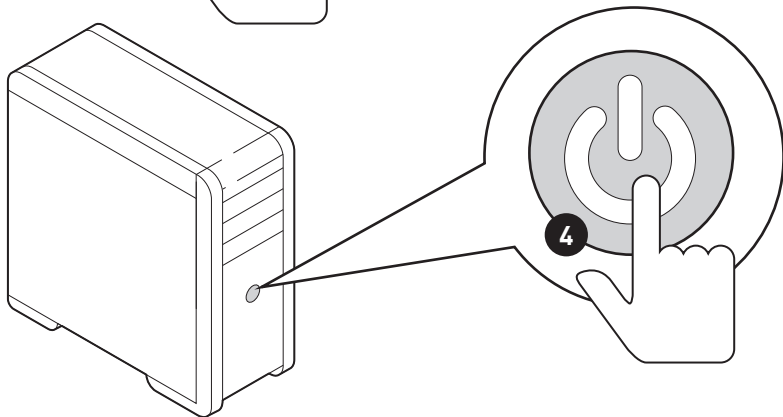
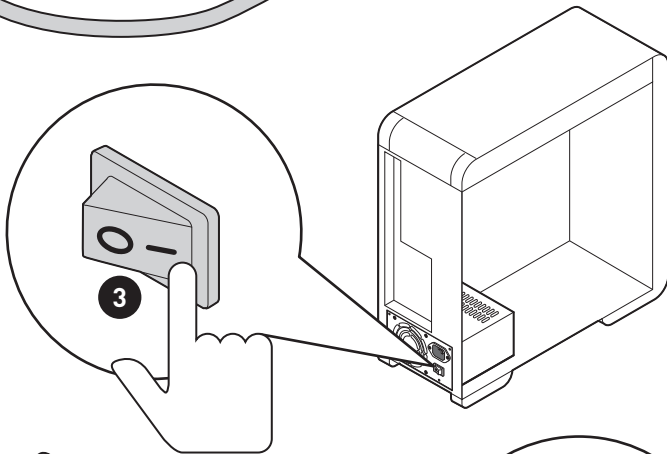
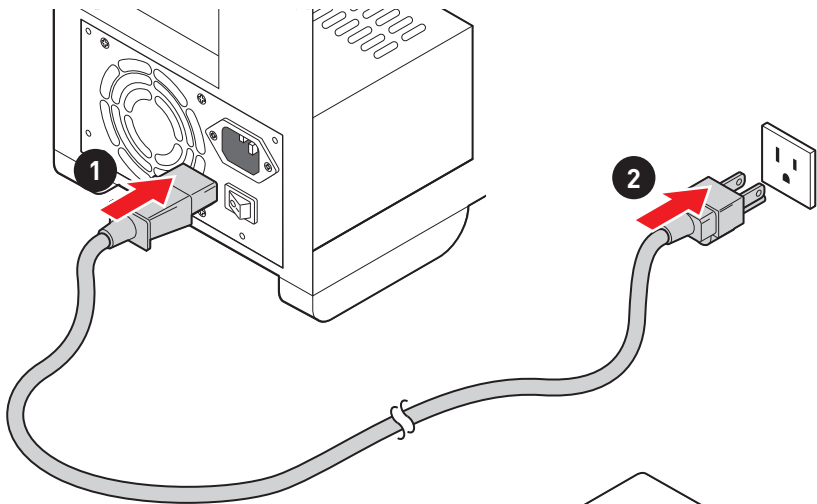
http://youtu.be/mG0GZpr9w_A



Connecting Peripheral Devices/ Peripheriegeräte/ Connecter un périphérique anschliessen/ Подключение периферийных устройств



**Power On/ Einschalten/ Mettre sous-tension/ Включение
питания**



Contents

Safety Information	3
Specifications	4
JCORSAIR1 Connector Specification.....	9
Package contents	9
Rear I/O Panel	10
LAN Port LED Status Table	10
Audio Ports Configuration	10
Realtek Audio Console	11
Installing Antennas.....	13
Overview of Components	14
CPU Socket	15
DIMM Slots.....	16
PCI_E1~5: PCIe Expansion Slots.....	17
M2_1~3: M.2 Slots (Key M)	19
SATA1~6: SATA 6Gb/s Connectors.....	21
JFP1, JFP2: Front Panel Connectors.....	22
CPU_PWR1~2, ATX_PWR1: Power Connectors	23
JBLK_U1: Base clock Plus connector.....	24
V-Check Points Lite	24
JSLOW1: Slow Mode Booting Jumper.....	25
JLN1: Low Temperature Booting Jumper	25
JOC_RT1: OC Retry Button.....	26
JOC_FS1: OC Force Enter BIOS Button	26
JAUD1: Front Audio Connector	27
JUSB1: USB 3.2 Gen 2 Type-C Connector.....	27
JUSB2: USB 3.2 Gen 1 Connector	28
JUSB3~4: USB 2.0 Connectors.....	29
JTPM1: TPM Module Connector.....	29
CPU_FAN1, PUMP_FAN1, SYS_FAN1~6: Fan Connectors.....	30
JTBT1: Thunderbolt Add-on Card Connector	31
JRTD3: Intel RTD3 Connector	31
JCI1: Chassis Intrusion Connector.....	32
JBAT1: Clear CMOS (Reset BIOS) Jumper.....	33
POWER1, RESET1: Power Button, Reset Button	33
JRGB1: RGB LED connector.....	34
JRAINBOW1~2: Addressable RGB LED connectors	35
JCORSAIR1: CORSAIR Connector	36

Onboard LEDs	37
EZ Debug LED.....	37
XMP LED.....	37
JPWRLED1: LED power input.....	37
LED_SW1: EZ LED Control.....	38
Debug Code LED.....	38
Hexadecimal Character Table.....	38
Boot Phases.....	38
Debug Code LED Table.....	39
ACPI States Codes.....	43
CPU Temperature.....	43
Installing OS, Drivers & Utilities	44
Installing Windows® 10.....	44
Installing Drivers.....	44
Installing Utilities.....	44
UEFI BIOS	45
BIOS Setup.....	46
Entering BIOS Setup.....	46
Resetting BIOS.....	47
Updating BIOS.....	47
EZ Mode.....	49
Advanced Mode.....	53
OC Menu.....	54

Safety Information

- The components included in this package are prone to damage from electrostatic discharge (ESD). Please adhere to the following instructions to ensure successful computer assembly.
- Ensure that all components are securely connected. Loose connections may cause the computer to not recognize a component or fail to start.
- Hold the motherboard by the edges to avoid touching sensitive components.
- It is recommended to wear an electrostatic discharge (ESD) wrist strap when handling the motherboard to prevent electrostatic damage. If an ESD wrist strap is not available, discharge yourself of static electricity by touching another metal object before handling the motherboard.
- Store the motherboard in an electrostatic shielding container or on an anti-static pad whenever the motherboard is not installed.
- Before turning on the computer, ensure that there are no loose screws or metal components on the motherboard or anywhere within the computer case.
- Do not boot the computer before installation is completed. This could cause permanent damage to the components as well as injury to the user.
- If you need help during any installation step, please consult a certified computer technician.
- Always turn off the power supply and unplug the power cord from the power outlet before installing or removing any computer component.
- Keep this user guide for future reference.
- Keep this motherboard away from humidity.
- Make sure that your electrical outlet provides the same voltage as is indicated on the PSU, before connecting the PSU to the electrical outlet.
- Place the power cord such a way that people can not step on it. Do not place anything over the power cord.
- All cautions and warnings on the motherboard should be noted.
- If any of the following situations arises, get the motherboard checked by service personnel:
 - Liquid has penetrated into the computer.
 - The motherboard has been exposed to moisture.
 - The motherboard does not work well or you can not get it work according to user guide.
 - The motherboard has been dropped and damaged.
 - The motherboard has obvious sign of breakage.
- Do not leave this motherboard in an environment above 60°C (140°F), it may damage the motherboard.

Specifications

CPU	<p>Supports 10th Gen Intel® Core™ and Pentium® Gold / Celeron® processors for LGA 1200 socket*</p> <p>* Please go to intel.com for compatibility information. * Onboard graphics output are disabled when using the F SKU processors.</p>
Chipset	Intel® Z490 Chipset
Memory	<ul style="list-style-type: none"> • 4x DDR4 memory slots, support up to 128GB* • Supports 1R 2133/2666/2933 MHz* <ul style="list-style-type: none"> ▪ 1DPC 1R Max speed up to 4800+ MHz ▪ 1DPC 2R Max speed up to 4266+ MHz ▪ 2DPC 1R Max speed up to 4400+ MHz ▪ 2DPC 2R Max speed up to 4000+ MHz • Supports Dual-Channel mode • Supports non-ECC, un-buffered memory • Supports Intel® Extreme Memory Profile (XMP) <p>*Please refer www.msi.com for more information on compatible memory</p>
Expansion Slot	<ul style="list-style-type: none"> • 3x PCIe 3.0 x16 slots (2 from CPU, 1 from PCH, support 16/0/4, 8/8/4) • 2x PCIe x1 slots (from PCH)
Multi-GPU	<ul style="list-style-type: none"> • Supports 2-Way NVIDIA® SLI™ Technology • Supports 3-Way AMD® CrossFire™ Technology
Storage	<p>Intel® Z490 Chipset</p> <ul style="list-style-type: none"> • 6x SATA 6Gb/s ports* • 3x M.2 slots (Key M) <ul style="list-style-type: none"> ▪ M2_1 supports up to PCIe 3.0 x4 and SATA 6Gb/s, 2242/2260/2280/22110 storage devices* ▪ M2_2 supports up to PCIe 3.0 x4 and SATA 6Gb/s, 2242/2260/2280 storage devices** ▪ M2_3 supports up to PCIe 3.0 x4, 2242/2260/2280 storage devices ▪ Intel® Optane™ Memory Ready*** ▪ Supports Intel® Smart Response Technology for Intel Core™ processors <p>* SATA2 will be unavailable when installing M.2 SATA SSD in the M2_1 slot. ** SATA5 & SATA6 will be unavailable when installing M.2 SATA/PCIe SSD in the M2_2 slot. *** Before using Intel® Optane™ memory modules, please ensure that you have updated the drivers and BIOS to the latest version from MSI website.</p>

Continued on next page

Continued from previous page

RAID	<p>Intel® Z490 Chipset</p> <ul style="list-style-type: none"> • Supports RAID 0, RAID1, RAID 5 and RAID 10 for SATA storage devices • Supports RAID 0, RAID 1 and RAID 5 for M.2 PCIe storage devices
LAN	<ul style="list-style-type: none"> • 1x Realtek® 8125B 2.5G LAN controller
Wireless/ Bluetooth	<p>Intel® AX201</p> <ul style="list-style-type: none"> • MU-MIMO TX/RX, 2.4GHz/ 5GHz (160MHz) up to 2.4Gbps • 802.11ac; WiFi 6 pre certified • Bluetooth 5.0, FIPS, FISMA • 1x M.2 Socket with E key (Wi-Fi mode)
USB	<ul style="list-style-type: none"> • Intel® Z490 Chipset <ul style="list-style-type: none"> ▪ 4x USB 3.2 Gen 2 10Gbps ports (3 Type-A ports on the back panel, 1 Type-C internal connector) ▪ 4x USB 3.2 Gen 1 5Gbps ports (2 Type-A ports on the back panel, 2 ports through the internal USB connector) ▪ 6x USB 2.0 ports (2 Type-A ports on the back panel, 4 ports through the internal USB 2.0 connectors) • ASMedia® 3241 chipset <ul style="list-style-type: none"> ▪ 1x USB 3.2 Gen 2x2 20Gbps Type-C port on the back panel
Audio	<p>Realtek® ALC1220 Codec + ESS E9018Q2C combo DAC</p> <ul style="list-style-type: none"> • 7.1-Channel High Definition Audio • Supports S/PDIF output
Back Panel Connectors	<ul style="list-style-type: none"> • 1x Clear CMOS • 1x Flash BIOS button • 1x PS/2 keyboard/ mouse combo port • 2x USB 2.0 ports • 2x USB 3.2 Gen 1 5Gbps Type-A ports • 3x USB 3.2 Gen 2 10Gbps Type-A ports • 1x USB 3.2 Gen 2x2 20Gbps Type-C port • 1x LAN (RJ45) port • 1x Wi-Fi antenna connector • 1x Optical S/PDIF OUT connector • 5x OFC audio jacks


Continued on next page

Continued from previous page

Internal Connectors	<ul style="list-style-type: none">• 1x 24-pin ATX main power connector• 2x 8-pin ATX 12V power connectors• 6x SATA 6Gb/s connectors• 3x M.2 slots (M-Key)• 1x USB 3.2 Gen 2 10Gbps Type-C port• 1x USB 3.2 Gen 1 5Gbps connector (supports additional 2 USB 3.2 Gen 1 5Gbps ports)• 2x USB 2.0 connectors (supports additional 4 USB 2.0 ports)• 1x 4-pin CPU fan connector• 1x 4-pin water-pump connector• 6x 4-pin system fan connectors• 1x front panel audio connector• 2x system panel connectors• 1x Chassis Intrusion connector• 1x slow mode jumper• 1x power button• 1x reset button• 1x 4-pin RGB LED connector• 2x 3-pin RAINBOW LED connectors• 1x 3-pin CORSAIR LED connector
LED Features	<ul style="list-style-type: none">• 1x LED Control switch• 4x EZ Debug LED• 1x 2-Digit Debug Code LED
I/O Controller	NUVOTON NCT6687 Controller Chip
Hardware Monitor	<ul style="list-style-type: none">• CPU/System temperature detection• CPU/System fan speed detection• CPU/System fan speed control
Form Factor	<ul style="list-style-type: none">• ATX Form Factor• 12 in. x 9.6 in. (30.5 cm x 24.4 cm)
BIOS Features	<ul style="list-style-type: none">• 1x 256 Mb flash• UEFI AMI BIOS• ACPI 6.2, SM BIOS 3.2• Multi-language

Continued on next page

Continued from previous page

Software	<ul style="list-style-type: none">• Drivers• DRAGON CENTER• Intel Extreme Tuning Utility• Nahimic Audio• MSI App Player(BlueStacks)• Open Broadcaster Software (OBS)• CPU-Z MSI GAMING• Google Chrome™, Google Toolbar, Google Drive• Norton™ Internet Security Solution
Dragon Center Features	<ul style="list-style-type: none">• Gaming Mode• Gaming Hotkey• LAN Manager• Mystic Light• Ambient Link• User Scenario• Monitor(Hardware Monitor)• True Color• Live Update• DPC Latency tuner• Speed Up• Smart Tool• Super Charger• Voice Boost <div data-bbox="657 707 785 834"></div> <p data-bbox="653 855 916 911">Please refer to http://download.msi.com/manual/mb/DRAGONCENTER2.pdf for more details.</p>
Special Features	<ul style="list-style-type: none">• Audio<ul style="list-style-type: none">▪ Audio Boost HD▪ Nahimic 3▪ Voice Boost• Network<ul style="list-style-type: none">▪ 2.5G LAN▪ LAN Manager▪ Intel WiFi

Continued on next page

Continued from previous page

Special Features

- Cooling
 - All Aluminum Design
 - Frozr Heatsink Design
 - Extended Heatsink Design
 - M.2 Shield Frozr
 - Pump Fan
 - Smart Fan Control
- LED
 - Mystic Light Extension (RGB)
 - Mystic Light Extension (RAINBOW)
 - Mystic Light Extension (CORSAIR)
 - Mystic Light SYNC
 - Ambient Link
 - EZ LED Control
 - EZ DEBUG LED
- Performance
 - Multi GPU – SLI Technology
 - Multi GPU – CrossFire Technology
 - DDR4 Boost
 - Core Boost
 - Game Boost
 - Lightning USB 20G
 - USB 3.2 Gen 2 10G
 - USB with Type A+C
 - Front USB Type-C
 - Dual CPU Power (8+8pin)
- Protection
 - PCI-E Steel Armor
 - Pre-installed I/O Shielding
- Experience
 - Dragon Center
 - Click BIOS 5

JCORSAIR1 Connector Specification

Supporting CORSAIR RGB Products	Maximum connection
Lighting Node PRO LED Strip	20* * 20% brightness is recommended when the number of LED strips exceeds 8.
HD120 RGB Fan	6
SP120 RGB Fan	6
LL120 RGB Fan	6

Package contents

Please check the contents of your motherboard package. It should contain:

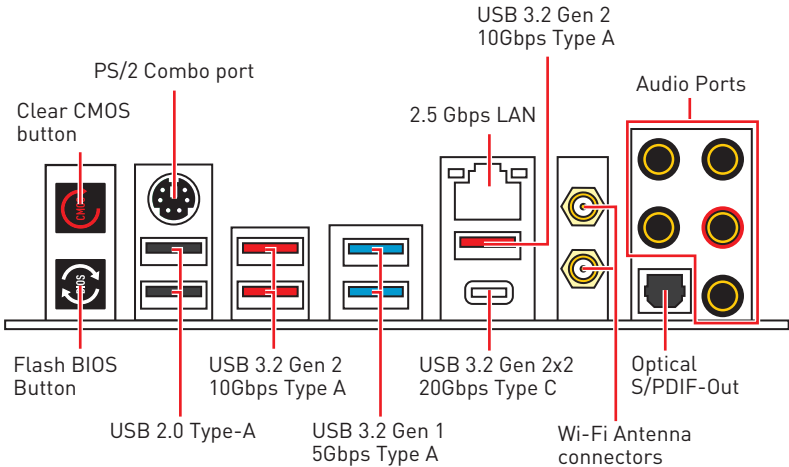
Motherboard	MEG Z490 UNIFY	
Documentation	User manual	1
	Case stand-off notification	1
	Quick installation guide	1
Application	Driver DVD	1
Cables	SATA 6G cables (2 cables/pack)	2
Accessories	Wi-Fi Antenna	1
	Case badge	1
	SATA cable stickers	1
	Product registration card	1
	M.2 screws (3 pcs./pack)	1



Important

If any of the above items are damaged or missing, please contact your retailer.

Rear I/O Panel



- **Clear CMOS button** - Power off your computer. Press and hold the Clear CMOS button for about 5-10 seconds to reset BIOS to default values.
- **Flash BIOS Port/ Button** - Please refer to page 48 for Updating BIOS with Flash BIOS Button.

LAN Port LED Status Table

Link/ Activity LED			Speed LED	
Status	Description		Status	Description
Off	No link		Off	10 Mbps connection
Yellow	Linked		Green	100 Mbps / 1 Gbps connection
Blinking	Data activity		Orange	2.5 Gbps connection

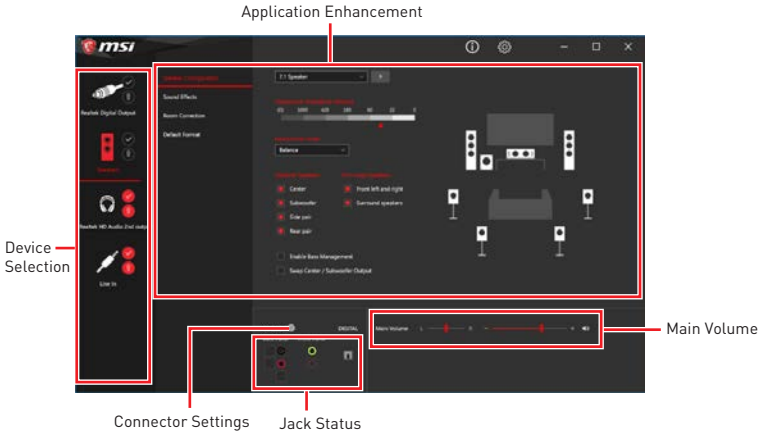
Audio Ports Configuration

Audio Ports	Channel			
	2	4	6	8
Center/ Sub-woofer Out			●	●
Rear Speaker Out		●	●	●
Line-In/ Side Speaker Out				●
Line-Out/ Front Speaker Out	●	●	●	●
Mic In				

(●: connected, Blank: empty)

Realtek Audio Console

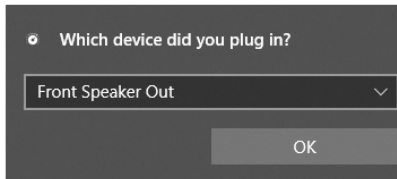
After Realtek Audio Console is installed. You can use it to change sound settings to get better sound experience.



- **Device Selection** - allows you to select a audio output source to change the related options. The **check** sign indicates the devices as default.
- **Application Enhancement** - the array of options will provide you a complete guidance of anticipated sound effect for both output and input device.
- **Main Volume** - controls the volume or balance the right/left side of the speakers that you plugged in front or rear panel by adjust the bar.
- **Jack Status** - depicts all render and capture devices currently connected with your computer.
- **Connector Settings** - configures the connection settings.

Auto popup dialog

When you plug into a device at an audio jack, a dialogue window will pop up asking you which device is current connected.

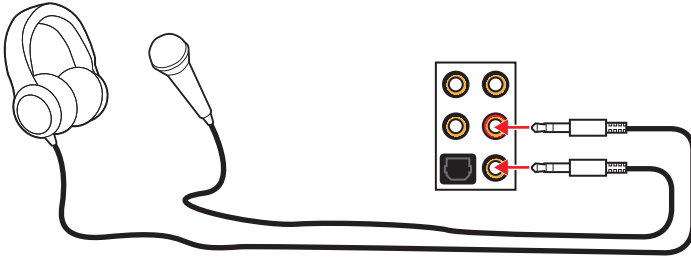


Each jack corresponds to its default setting as shown on the next page.

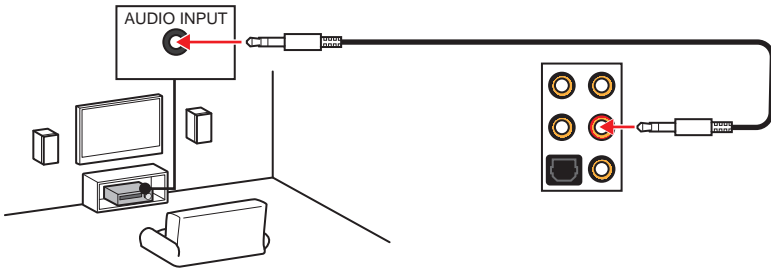
Important

The pictures above for reference only and may vary from the product you purchased.

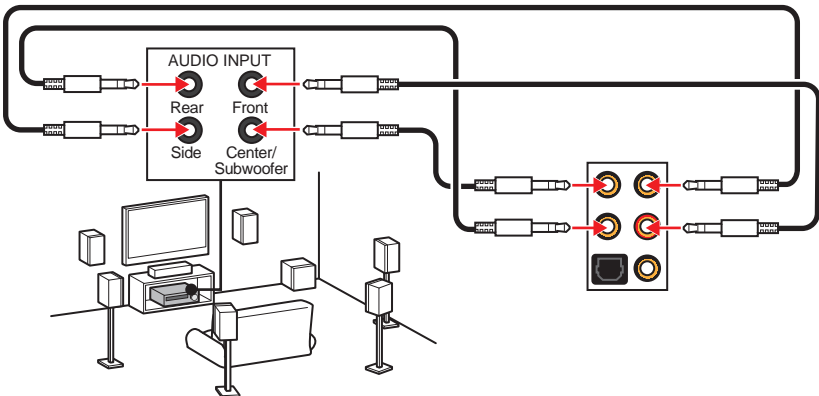
Audio jacks to headphone and microphone diagram



Audio jacks to stereo speakers diagram

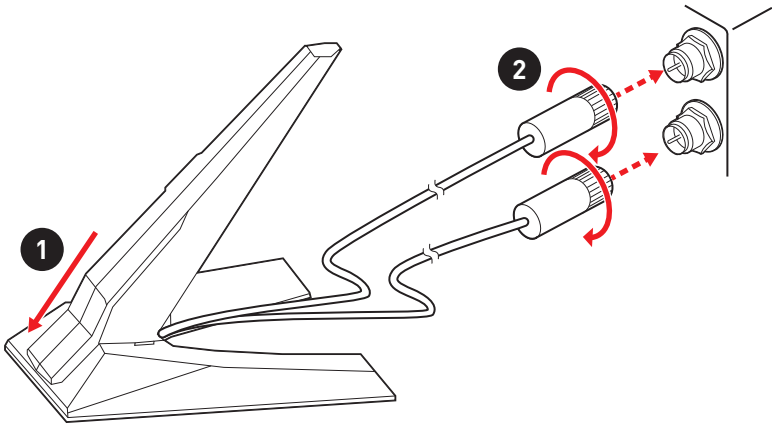


Audio jacks to 7.1-channel speakers diagram

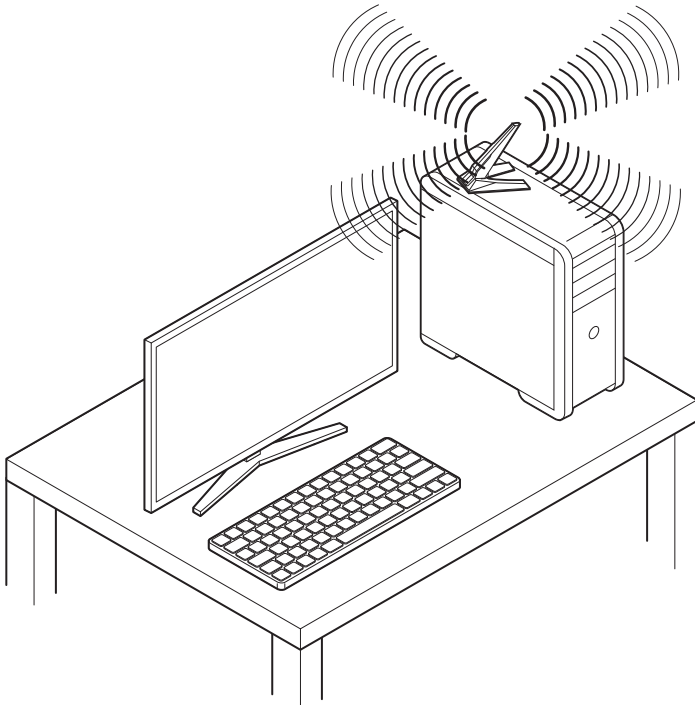


Installing Antennas

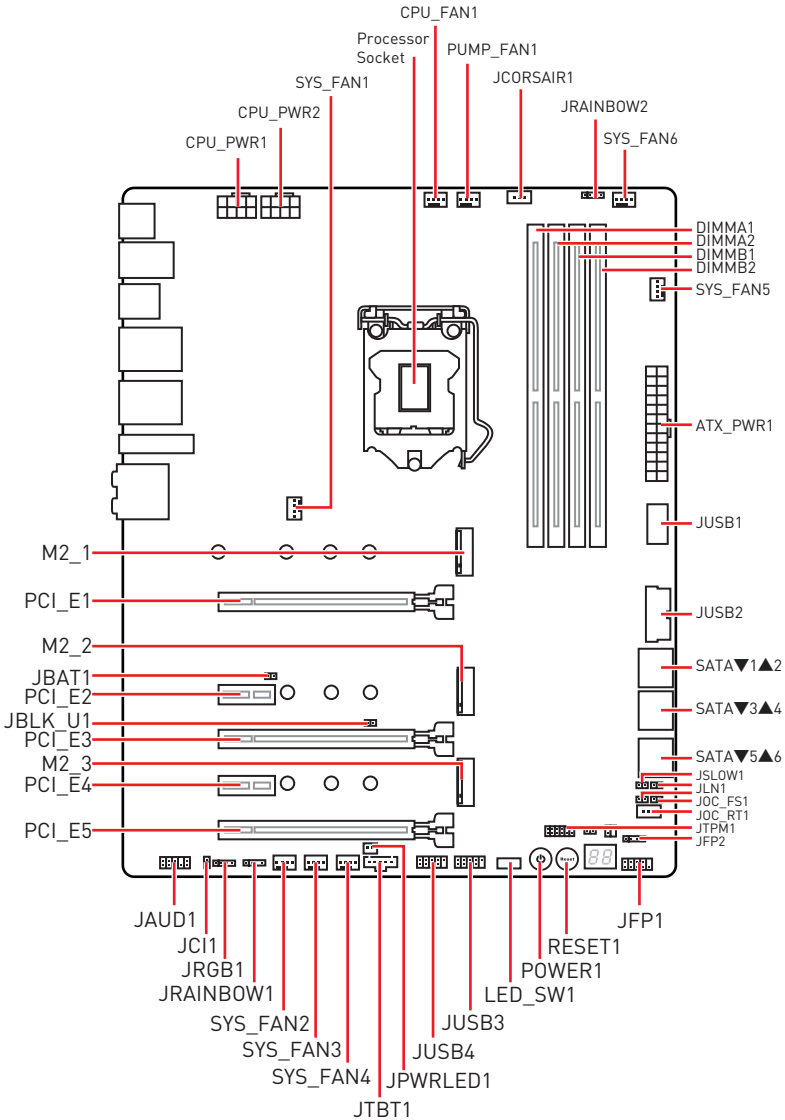
1. Combine the antenna with the base.
2. Screw two antenna cables tight to the WiFi antenna connectors as shown.



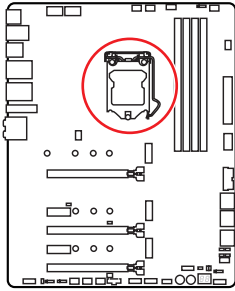
3. Place the antenna as high as possible.



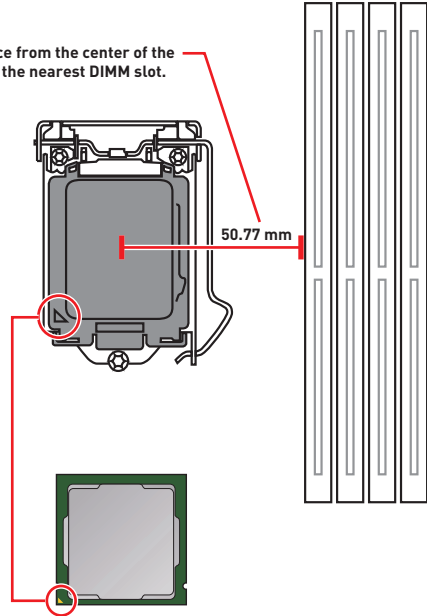
Overview of Components



CPU Socket



Distance from the center of the CPU to the nearest DIMM slot.



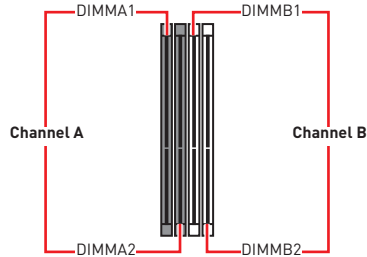
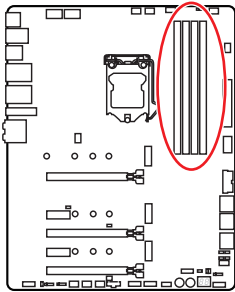
Introduction to the LGA 1200 CPU

The surface of the LGA 1200 CPU has two **notches** and a **golden triangle** to assist in correctly lining up the CPU for motherboard placement. The golden triangle is the Pin 1 indicator.

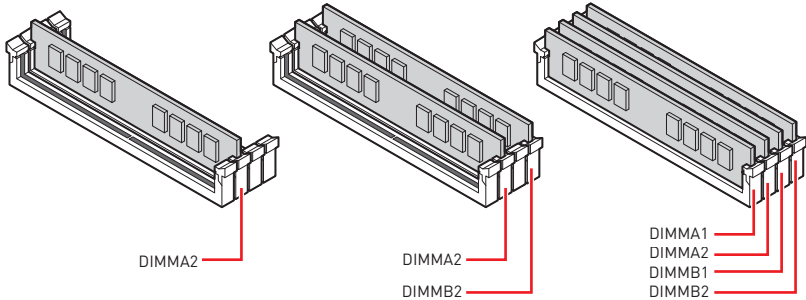
Important

- Always unplug the power cord from the power outlet before installing or removing the CPU.
- Please retain the CPU protective cap after installing the processor. MSI will deal with Return Merchandise Authorization (RMA) requests if only the motherboard comes with the protective cap on the CPU socket.
- When installing a CPU, always remember to install a CPU heatsink. A CPU heatsink is necessary to prevent overheating and maintain system stability.
- Confirm that the CPU heatsink has formed a tight seal with the CPU before booting your system.
- Overheating can seriously damage the CPU and motherboard. Always make sure the cooling fans work properly to protect the CPU from overheating. Be sure to apply an even layer of thermal paste (or thermal tape) between the CPU and the heatsink to enhance heat dissipation.
- Whenever the CPU is not installed, always protect the CPU socket pins by covering the socket with the plastic cap.
- If you purchased a separate CPU and heatsink/ cooler, Please refer to the documentation in the heatsink/ cooler package for more details about installation.
- This motherboard is designed to support overclocking. Before attempting to overclock, please make sure that all other system components can tolerate overclocking. Any attempt to operate beyond product specifications is not recommended. MSI® does not guarantee the damages or risks caused by inadequate operation beyond product specifications.

DIMM Slots



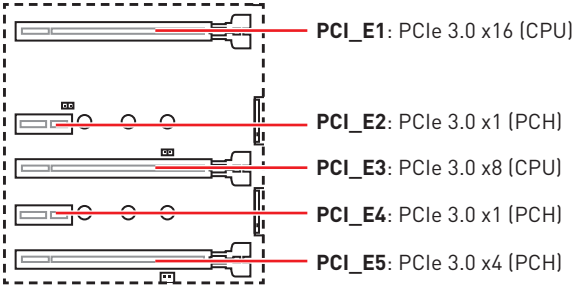
Memory module installation recommendation



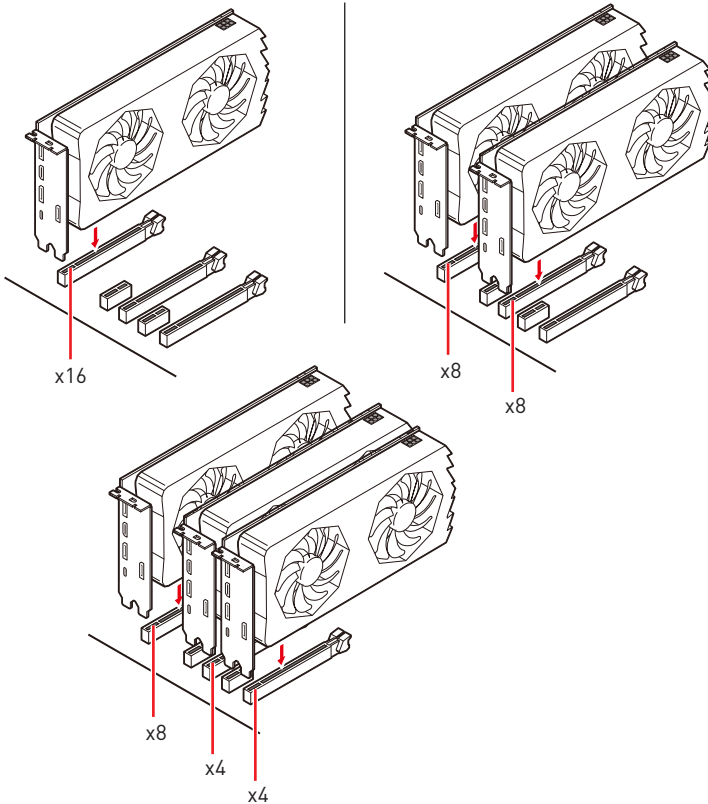
Important

- Always insert memory modules in the **DIMMA2** slot first.
- To ensure system stability for Dual channel mode, memory modules must be of the same type, number and density.
- Some memory modules may operate at a lower frequency than the marked value when overclocking due to the memory frequency operates dependent on its Serial Presence Detect (SPD). Go to BIOS and find the **DRAM Frequency** to set the memory frequency if you want to operate the memory at the marked or at a higher frequency.
- It is recommended to use a more efficient memory cooling system for full DIMMs installation or overclocking.
- The stability and compatibility of installed memory module depend on installed CPU and devices when overclocking.
- Please refer www.msi.com for more information on compatible memory.

PCI_E1~5: PCIe Expansion Slots



Multiple graphics cards installation recommendation



Important

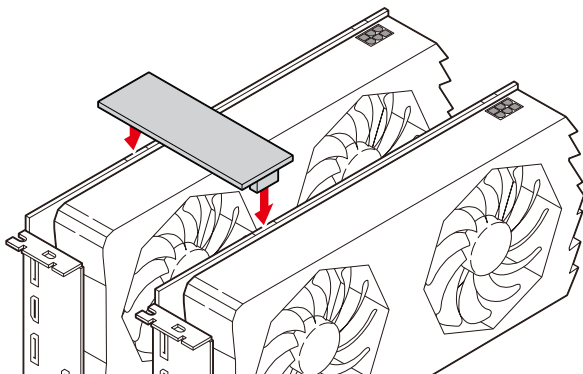
- If you install a large and heavy graphics card, you need to use a tool such as **MSI Gaming Series Graphics Card Bolster** to support its weight to prevent deformation of the slot.
- For a single PCIe x16 expansion card installation with optimum performance, using the **PCI_E1** slot is recommended.
- When adding or removing expansion cards, always turn off the power supply and unplug the power supply power cable from the power outlet. Read the expansion card's documentation to check for any necessary additional hardware or software changes.

Installing SLI graphics cards

For power supply recommendations for SLI configurations, please refer to the user guide of your graphics card to make sure you meet all the system requirements.

To install SLI graphics cards:

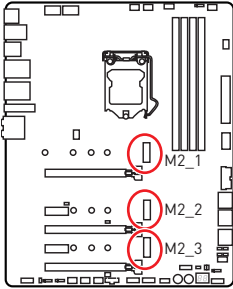
1. Turn off your computer and disconnect the power cord, install two graphics cards into the **PCI_E1** and **PCI_E3** slots.
2. Connect the two cards together using the **SLI Bridge Connector**.



3. Connect all PCIe power connectors of the graphics cards.
4. Reconnect the power cord, power up the computer and install the drivers and software included in your graphics card package.
5. Right-click the Windows desktop and select NVIDIA Control Panel from the menu, click on Configure SLI, Surround, PhysX in the left task pane and select Maximize 3D performance in the SLI configuration menu, and then click Apply.



M2_1~3: M.2 Slots (Key M)



Video Demonstration

Watch the video to learn how to Install M.2 module.

<http://youtu.be/JCTFABytrYA>

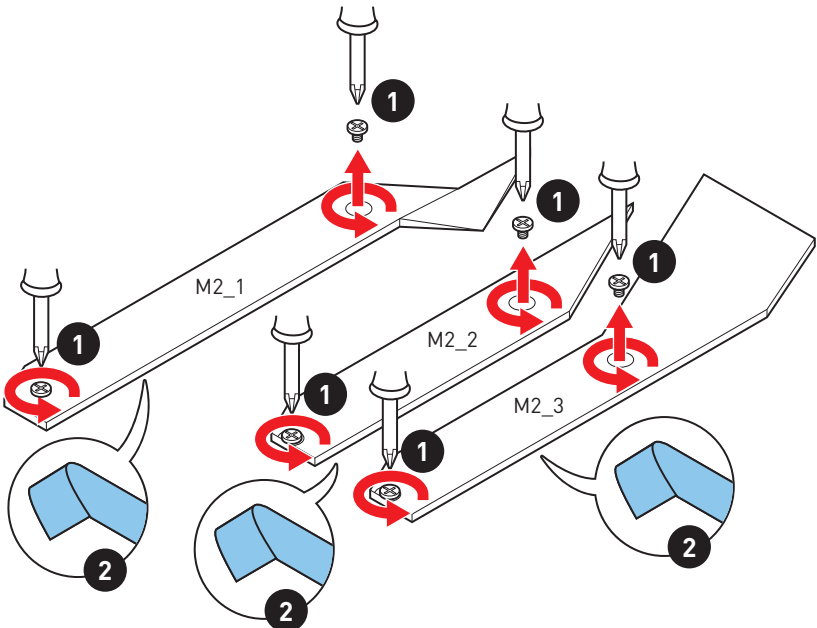


Important

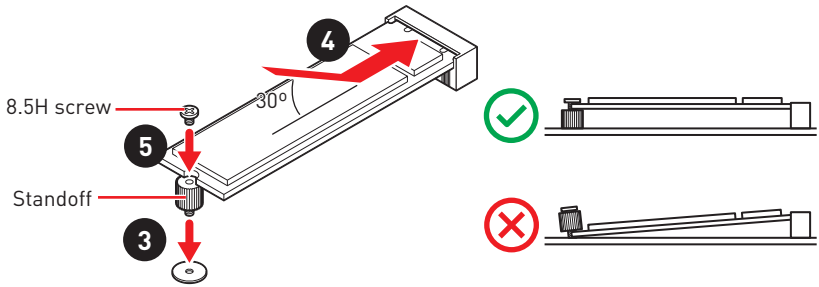
- Intel® RST only supports PCIe M.2 SSD with UEFI ROM.
- Intel® Optane™ Memory Ready for all M.2 slots.

Installing M.2 module

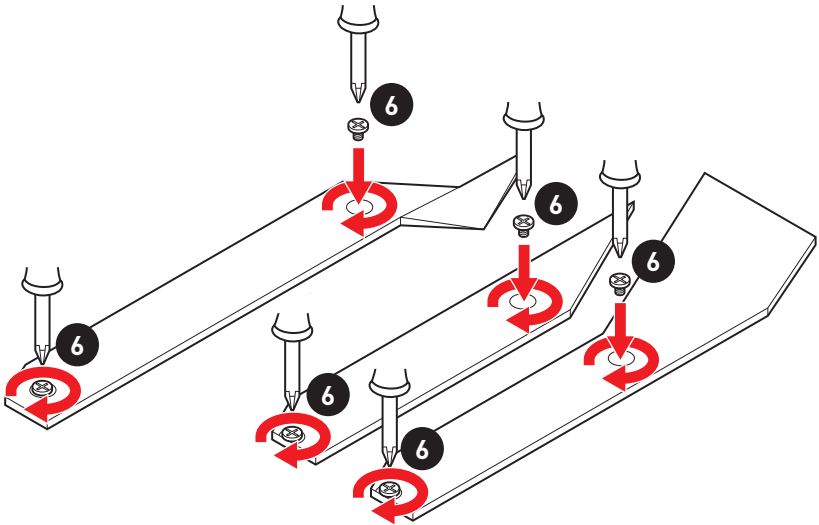
1. Loosen the screws of M.2 SHIELD FROZR heatsink.
2. Remove the M.2 SHIELD FROZR and remove the protective films from the thermal pads.



3. Move the position of the standoffs according to your M.2 SSDs length if need.
4. Insert your M.2 SSD into the M.2 slot at a 30-degree angle.
5. Secure the M.2 SSD in place with the supplied M.2 8.5H screw.

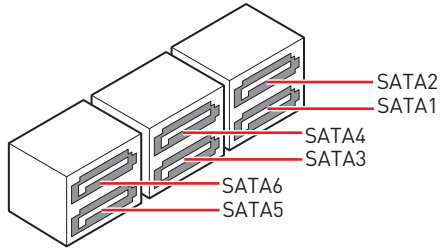
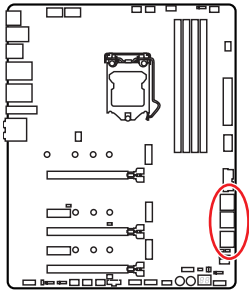


6. Put the M.2 SHIELD FROZR heatsink back in place and secure it.



SATA1~6: SATA 6Gb/s Connectors

These connectors are SATA 6Gb/s interface ports. Each connector can connect to one SATA device.



Important

- Please do not fold the SATA cable at a 90-degree angle. Data loss may result during transmission otherwise.
- SATA cables have identical plugs on either sides of the cable. However, it is recommended that the flat connector be connected to the motherboard for space saving purposes.
- SATA2 will be unavailable when installing M.2 SATA SSD in the M2_1 slot.
- SATA5 & SATA6 will be unavailable when installing M.2 SSD in the M2_2 slot.

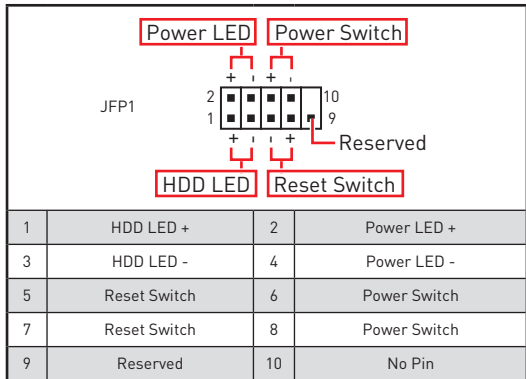
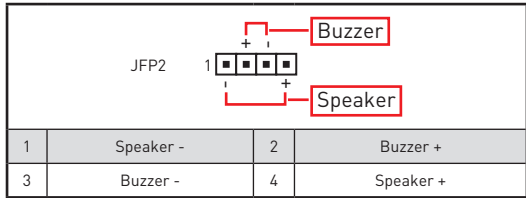
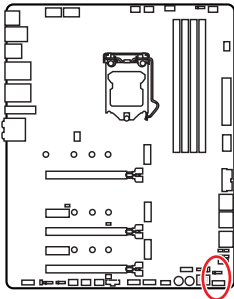
M.2 & SATA combination table

Slot	Available SATA connectors					
M2_1	PCIe	SATA	PCIe	SATA	PCIe	SATA
M2_2	PCIe	PCIe	SATA	SATA	—	—
M2_3	M2_3 slot supports PCIe only					
SATA1	✓	✓	✓	✓	✓	✓
SATA2	✓	—	✓	—	✓	—
SATA3	✓	✓	✓	✓	✓	✓
SATA4	✓	✓	✓	✓	✓	✓
SATA5	—	—	—	—	✓	✓
SATA6	—	—	—	—	✓	✓

(SATA: M.2 SATA SSD, PCIe: M.2 PCIe SSD, ✓: available, —: unavailable)

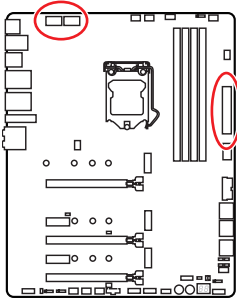
JFP1, JFP2: Front Panel Connectors

These connectors connect to the switches and LEDs on the front panel.



CPU_PWR1~2, ATX_PWR1: Power Connectors

These connectors allow you to connect an ATX power supply.



1	Ground	5	+12V
2	Ground	6	+12V
3	Ground	7	+12V
4	Ground	8	+12V

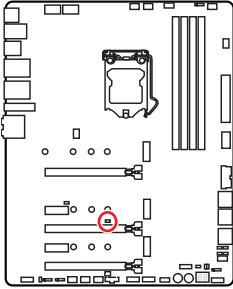
1	+3.3V	13	+3.3V
2	+3.3V	14	-12V
3	Ground	15	Ground
4	+5V	16	PS-ON#
5	Ground	17	Ground
6	+5V	18	Ground
7	Ground	19	Ground
8	PWR OK	20	Res
9	5VSB	21	+5V
10	+12V	22	+5V
11	+12V	23	+5V
12	+3.3V	24	Ground

Important

Make sure that all the power cables are securely connected to a proper ATX power supply to ensure stable operation of the motherboard.

JBLK_U1: Base clock Plus connector

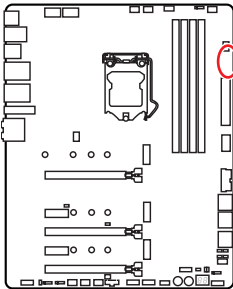
You can use this connector to connect an external button. Press the button to increase the CPU base clock.



JBLK_U1 (Short the jumper to increase the CPU base clock)

V-Check Points Lite

These voltage checkpoints are used to measure the current system voltages. A multimeter (not included) will be required to check voltages. To measure voltage, place test leads on the GND (screw mounting hole) and a specific V-Check Point. Please refer to the manual of your multimeter for more information.



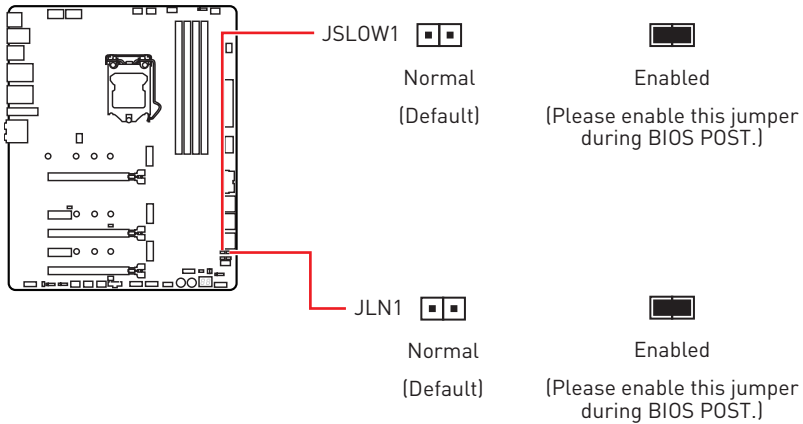
-  GND
-  VCCIO
-  VSA
-  DRAM
-  CPU

JSLOW1: Slow Mode Booting Jumper

This jumper is used for LN2 cooling solution, that provides the extreme overclocking conditions, to boot at a stable processor frequency and to prevent the system from crashing.

JLN1: Low Temperature Booting Jumper

This jumper is used for liquid nitrogen cooling system to boot at an extreme low temperature. Try to set it Enabled to increase the boot success rate.

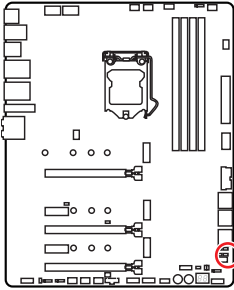


Important

- Users will try extreme low temperature overclocking at their own risks. The overclocking results will vary according to the CPU version.
- Please don't set to **Enabled** when power-off or the system will be un-bootable.

JOC_RT1: OC Retry Button

This connector allows you to connect a button. When you press and hold the button, the system will keep retrying OC items until it boot up successfully.



JOC_RT1 

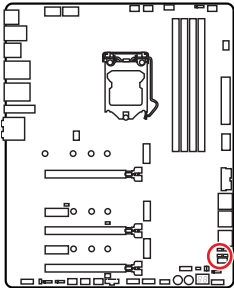
Normal
(default)



Retry OC

JOC_FS1: OC Force Enter BIOS Button

This connector allows you to connect a button. When you press the button, the system will be forced into BIOS without showing the OC_FAIL message.



JOC_FS1 

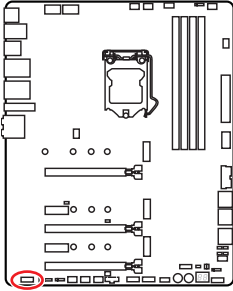
Normal
(default)

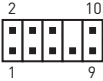


Force into BIOS

JAUD1: Front Audio Connector

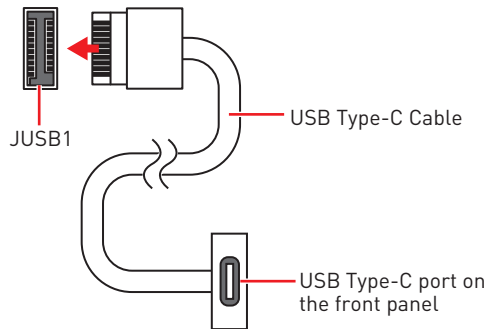
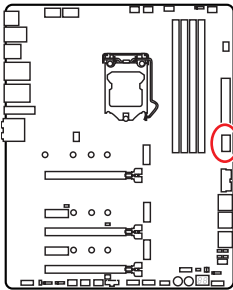
This connector allows you to connect audio jacks on the front panel.



			
1	MIC L	2	Ground
3	MIC R	4	NC
5	Head Phone R	6	MIC Detection
7	SENSE_SEND	8	No Pin
9	Head Phone L	10	Head Phone Detection

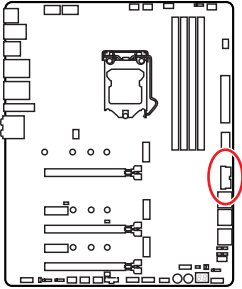
JUSB1: USB 3.2 Gen 2 Type-C Connector

This connector allows you to connect USB 3.2 Gen 2 Type-C connector on the front panel. The connector possesses a foolproof design. When you connect the cable, be sure to connect it with the corresponding orientation.



JUSB2: USB 3.2 Gen 1 Connector

These connectors allow you to connect USB 3.2 Gen 1 5Gbps ports on the front panel.



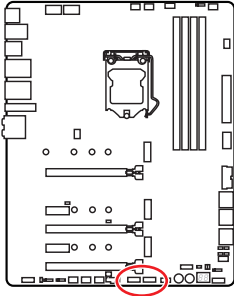
Pin	Signal	Pin	Signal
1	Power	11	USB2.0+
2	USB3_RX_DN	12	USB2.0-
3	USB3_RX_DP	13	Ground
4	Ground	14	USB3_TX_C_DP
5	USB3_TX_C_DN	15	USB3_TX_C_DN
6	USB3_TX_C_DP	16	Ground
7	Ground	17	USB3_RX_DP
8	USB2.0-	18	USB3_RX_DN
9	USB2.0+	19	Power
10	Ground	20	No Pin

Important

Note that the Power and Ground pins must be connected correctly to avoid possible damage.

JUSB3~4: USB 2.0 Connectors

These connectors allow you to connect USB 2.0 ports on the front panel.



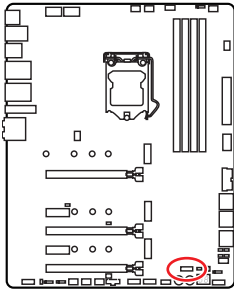
1	VCC	2	VCC
3	USB0-	4	USB1-
5	USB0+	6	USB1+
7	Ground	8	Ground
9	No Pin	10	NC

Important

- Note that the VCC and Ground pins must be connected correctly to avoid possible damage.
- In order to recharge your iPad, iPhone and iPod through USB ports, please install MSI® DRAGON CENTER utility.

JTPM1: TPM Module Connector

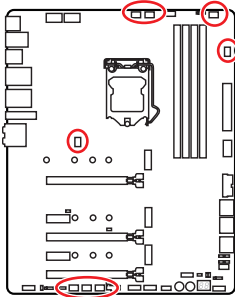
This connector is for TPM (Trusted Platform Module). Please refer to the TPM security platform manual for more details and usages.



1	SPI Power	2	SPI Chip Select
3	Master In Slave Out (SPI Data)	4	Master In Slave In (SPI Data)
5	Reserved	6	SPI Clock
7	Ground	8	SPI Reset
9	Reserved	10	No Pin
11	Reserved	12	Interrupt Request

CPU_FAN1, PUMP_FAN1, SYS_FAN1~6: Fan Connectors

Fan connectors can be classified as PWM (Pulse Width Modulation) Mode or DC Mode. PWM Mode fan connectors provide constant 12V output and adjust fan speed with speed control signal. DC Mode fan connectors control fan speed by changing voltage. You can follow the instruction below to adjust the fan connector to PWM or DC Mode.



Default PWM Mode fan connectors



CPU_FAN1/PUMP_FAN1

Default DC Mode fan connectors



SYS_FAN1/SYS_FAN5

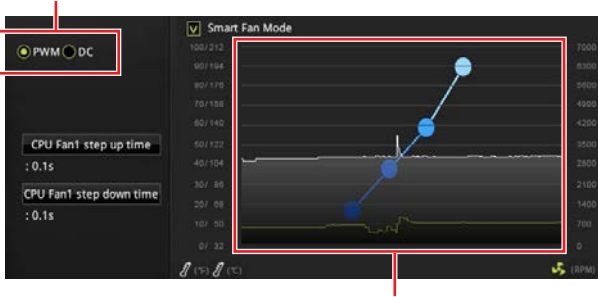


SYS_FAN2~4/SYS_FAN6

Switching fan mode and adjusting fan speed

You can switch between PWM mode and DC mode and adjust fan speed in **BIOS > HARDWARE MONITOR**.

Select **PWM** mode or **DC** mode



There are gradient points of the fan speed that allow you to adjust fan speed in relation to CPU temperature.

Important

Make sure fans are working properly after switching the PWM/ DC mode.

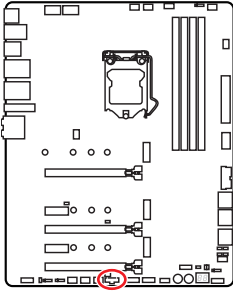
Pin definition of fan connectors

PWM Mode pin definition			
1	Ground	2	+12V
3	Sense	4	Speed Control Signal

DC Mode pin definition			
1	Ground	2	Voltage Control
3	Sense	4	NC

JTBT1: Thunderbolt Add-on Card Connector

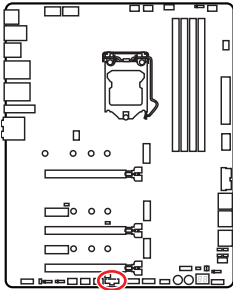
This connector allows you to connect the add-on Thunderbolt I/O card.



1			
1	FORCE_PWR	2	SCI_EVENT
3	SLP_S3#	4	SLP_S5#
5	GND		

JRTD3: Intel RTD3 Connector

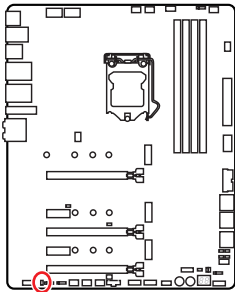
This connector allows you to connect the RTD3 connector on the add-on Thunderbolt I/O card that supports RTD3.



1			
1	WAKE	2	PWR EN
3	GND		

JCI1: Chassis Intrusion Connector

This connector allows you to connect the chassis intrusion switch cable.



Normal
(default)



Trigger the chassis
intrusion event

Using chassis intrusion detector

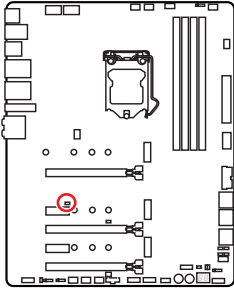
1. Connect the **JCI1** connector to the chassis intrusion switch/ sensor on the chassis.
2. Close the chassis cover.
3. Go to **BIOS > SETTINGS > Security > Chassis Intrusion Configuration**.
4. Set **Chassis Intrusion** to **Enabled**.
5. Press **F10** to save and exit and then press the **Enter** key to select **Yes**.
6. Once the chassis cover is opened again, a warning message will be displayed on screen when the computer is turned on.

Resetting the chassis intrusion warning

1. Go to **BIOS > SETTINGS > Security > Chassis Intrusion Configuration**.
2. Set **Chassis Intrusion** to **Reset**.
3. Press **F10** to save and exit and then press the **Enter** key to select **Yes**.

JBAT1: Clear CMOS (Reset BIOS) Jumper

There is CMOS memory onboard that is external powered from a battery located on the motherboard to save system configuration data. If you want to clear the system configuration, set the jumpers to clear the CMOS memory.



Keep Data
(default)



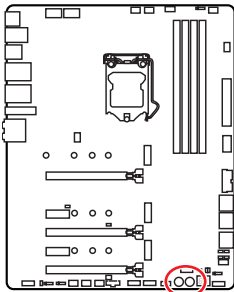
Clear CMOS/
Reset BIOS

Resetting BIOS to default values

1. Power off the computer and unplug the power cord.
2. Use a jumper cap to short **JBAT1** for about 5-10 seconds.
3. Remove the jumper cap from **JBAT1**.
4. Plug the power cord and Power on the computer.

POWER1, RESET1: Power Button, Reset Button

The Power / Reset button allows you to power on / reset the computer.



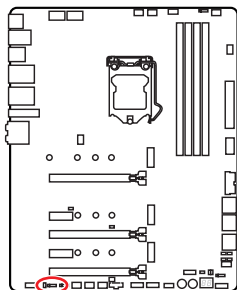
Reset button



Power button

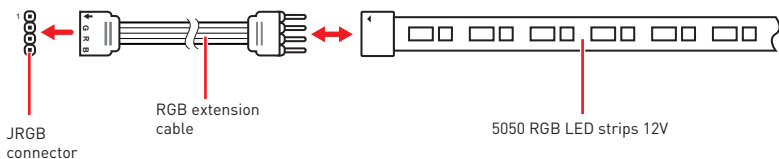
JRGB1: RGB LED connector

The JRGB connector allows you to connect the 5050 RGB LED strips 12V.

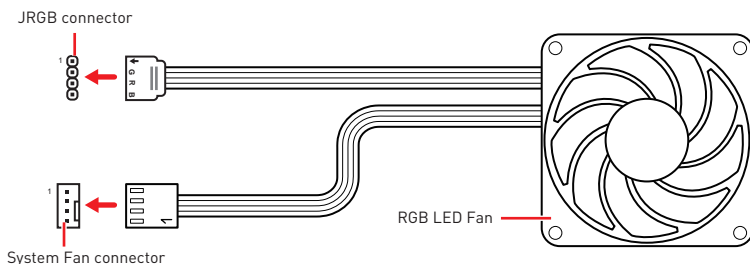


1			
1	+12V	2	G
3	R	4	B

RGB LED Strip Connection



RGB LED Fan Connection

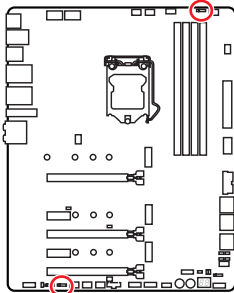


Important

- The JRGB connector supports up to 2 meters continuous 5050 RGB LED strips (12V/G/R/B) with the maximum power rating of 3A (12V).
- Always turn off the power supply and unplug the power cord from the power outlet before installing or removing the RGB LED strip.
- Please use MSI's software to control the extended LED strip.

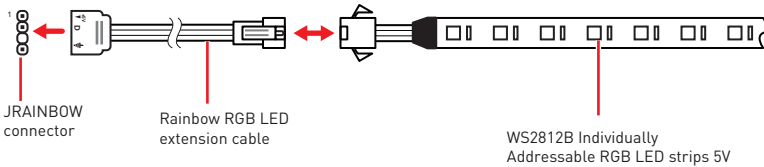
JRAINBOW1~2: Addressable RGB LED connectors

The JRAINBOW connectors allow you to connect the WS2812B Individually Addressable RGB LED strips 5V.

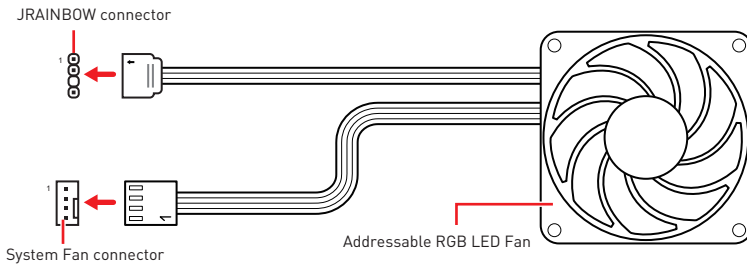


1 JRAINBOW1~2			
1	+5V	2	Data
3	No Pin	4	Ground

Addressable RGB LED Strip Connection



Addressable RGB LED Fan Connection



CAUTION

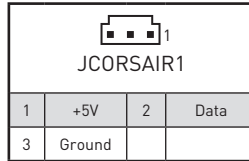
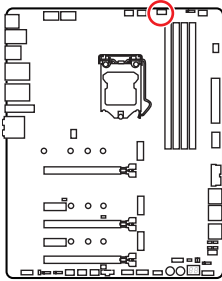
Do not connect the wrong type of LED strips. The JRGB connector and the JRAINBOW connector provide different voltages, and connecting the 5V LED strip to the JRGB connector will result in damage to the LED strip.

Important

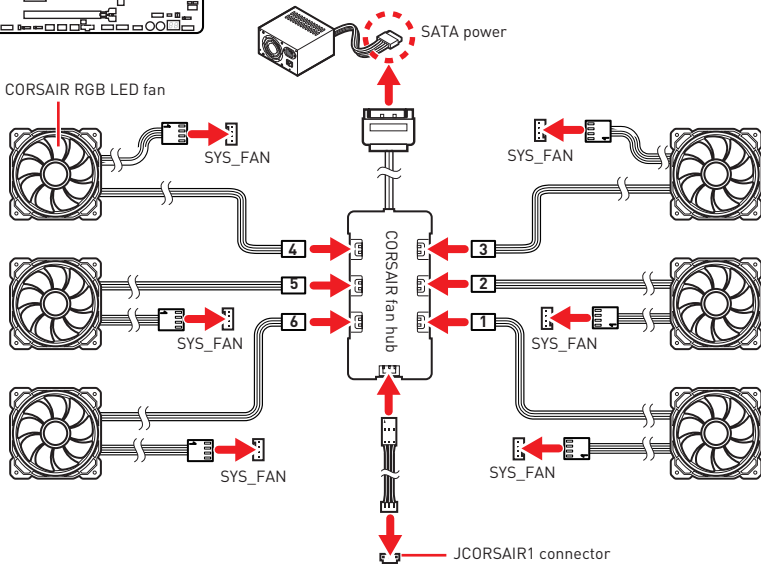
- The JRAINBOW connector supports up to 75 LEDs WS2812B Individually Addressable RGB LED strips (5V/Data/Ground) with the maximum power rating of 3A (5V). In the case of 20% brightness, the connector supports up to 200 LEDs.
- Always turn off the power supply and unplug the power cord from the power outlet before installing or removing the RGB LED strip.
- Please use MSI's software to control the extended LED strip.

JCORSAIR1: CORSAIR Connector

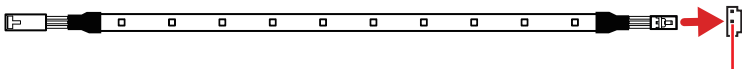
The JCORSAIR1 connector allows you to connect the CORSAIR Individually Addressable Lighting PRO RGB LED strips 5V or CORSAIR RGB fans with the CORSAIR fan hub. Once all items are connected properly, you can control the CORSAIR RGB LED strips and fans with MSI's software.



CORSAIR RGB Fan Connection



CORSAIR Lighting Node PRO Connection



JCORSAIR1 connector

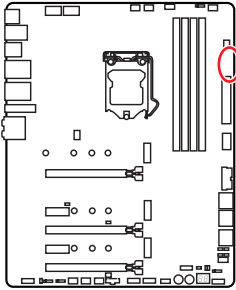
Important

- Fans must start at 1 and continue in series. 1 > 2 > 3 > 4 > 5 > 6. Any fan not connected in series will break communication and the RGB LED lighting function will not work.
- Quantity of RGB LED Fans or RGB LED Lighting PRO strips supported may differ between models. Please refer to the motherboard specification.
- CORSAIR RGB LED Fan and CORSAIR Lighting Node PRO can't be used at the same time.

Onboard LEDs

EZ Debug LED

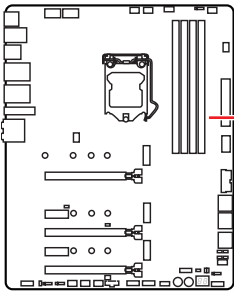
These LEDs indicate the debug status of the motherboard.



- CPU** - indicates CPU is not detected or fail.
- DRAM** - indicates DRAM is not detected or fail.
- VGA** - indicates GPU is not detected or fail.
- BOOT** - indicates the booting device is not detected or fail.

XMP LED

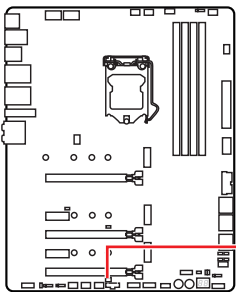
This LED indicates the XMP (Extreme Memory Profile) mode is enabled.



XMP LED

JPWRLED1: LED power input

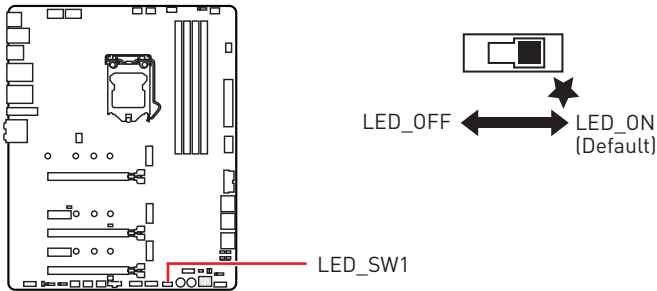
This connector is used by retailers to demonstrate onboard LED lights.



JPWRLED1 - LED power input

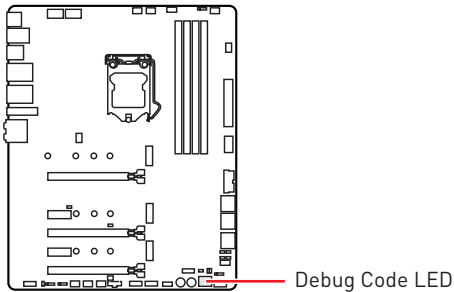
LED_SW1: EZ LED Control

This switch is used to switch on/off all the LEDs of motherboard.



Debug Code LED

The Debug Code LED displays progress and error codes during and after POST. Refer to the Debug Code LED table for details.



Hexadecimal Character Table

Hexadecimal	0	1	2	3	4	5	6	7	8	9	A	B	C	D	E	F
Debug Code LED display	0	1	2	3	4	5	6	7	8	9	A	b	C	d	E	F

Boot Phases

Security (SEC) – initial low-level initialization

Pre-EFI Initialization (PEI) – memory initialization

Driver Execution Environment (DXE) – main hardware initialization

Boot Device Selection (BDS) – system setup, pre-OS user interface & selecting a bootable device (CD/DVD, HDD, USB, Network, Shell, ...)

Debug Code LED Table

SEC Progress Codes

01	Power on. Reset type detection (soft/hard)
02	AP initialization before microcode loading
03	System Agent initialization before microcode loading
04	PCH initialization before microcode loading
06	Microcode loading
07	AP initialization after microcode loading
08	System Agent initialization after microcode loading
09	PCH initialization after microcode loading
0B	Cache initialization

SEC Error Codes

0C - 0D	Reserved for future AMI SEC error codes
0E	Microcode not found
0F	Microcode not loaded

PEI Progress Codes

10	PEI Core is started
11	Pre-memory CPU initialization is started
12 - 14	Pre-memory CPU initialization (CPU module specific)
15	Pre-memory System Agent initialization is started
16 - 18	Pre-Memory System Agent initialization (System Agent module specific)
19	Pre-memory PCH initialization is started
1A - 1C	Pre-memory PCH initialization (PCH module specific)
2B	Memory initialization. Serial Presence Detect (SPD) data reading
2C	Memory initialization. Memory presence detection
2D	Memory initialization. Programming memory timing information
2E	Memory initialization. Configuring memory
2F	Memory initialization (other)
31	Memory Installed
32	CPU post-memory initialization is started
33	CPU post-memory initialization. Cache initialization
34	CPU post-memory initialization. Application Processor(s) (AP) initialization
35	CPU post-memory initialization. Boot Strap Processor (BSP) selection
36	CPU post-memory initialization. System Management Mode (SMM) initialization
37	Post-Memory System Agent initialization is started
38 - 3A	Post-Memory System Agent initialization (System Agent module specific)
3B	Post-Memory PCH initialization is started

3C - 3E	Post-Memory PCH initialization (PCH module specific)
4F	DXE IPL is started

PEI Error Codes

50	Memory initialization error. Invalid memory type or incompatible memory speed
51	Memory initialization error. SPD reading has failed
52	Memory initialization error. Invalid memory size or memory modules do not match
53	Memory initialization error. No usable memory detected
54	Unspecified memory initialization error
55	Memory not installed
56	Invalid CPU type or Speed
57	CPU mismatch
58	CPU self test failed or possible CPU cache error
59	CPU micro-code is not found or micro-code update is failed
5A	Internal CPU error
5B	Reset PPI is not available
5C - 5F	Reserved for future AMI error codes

DXE Progress Codes

60	DXE Core is started
61	NVRAM initialization
62	Installation of the PCH Runtime Services
63	CPU DXE initialization is started
64 - 67	CPU DXE initialization (CPU module specific)
68	PCI host bridge initialization
69	System Agent DXE initialization is started
6A	System Agent DXE SMM initialization is started
6B - 6F	System Agent DXE initialization (System Agent module specific)
70	PCH DXE initialization is started
71	PCH DXE SMM initialization is started
72	PCH devices initialization
73 - 77	PCH DXE Initialization (PCH module specific)
78	ACPI module initialization
79	CSM initialization
7A - 7F	Reserved for future AMI DXE codes
90	Boot Device Selection (BDS) phase is started
91	Driver connecting is started
92	PCI Bus initialization is started
93	PCI Bus Hot Plug Controller Initialization
94	PCI Bus Enumeration 32

95	PCI Bus Request Resources
96	PCI Bus Assign Resources
97	Console Output devices connect
98	Console input devices connect
99	Super IO Initialization
9A	USB initialization is started
9B	USB Reset
9C	USB Detect
9D	USB Enable
9E -9F	Reserved for future AMI codes
A0	IDE initialization is started
A1	IDE Reset
A2	IDE Detect
A3	IDE Enable
A4	SCSI initialization is started
A5	SCSI Reset
A6	SCSI Detect
A7	SCSI Enable
A8	Setup Verifying Password
A9	Start of Setup
AB	Setup Input Wait
AD	Ready To Boot event
AE	Legacy Boot event
AF	Exit Boot Services event
B0	Runtime Set Virtual Address MAP Begin
B1	Runtime Set Virtual Address MAP End
B2	Legacy Option ROM Initialization
B3	System Reset
B4	USB hot plug
B5	PCI bus hot plug
B6	Clean-up of NVRAM
B7	Configuration Reset (reset of NVRAM settings)
B8 - BF	Reserved for future AMI codes

DXE Error Codes

D0	CPU initialization error
D1	System Agent initialization error
D2	PCH initialization error
D3	Some of the Architectural Protocols are not available

D4	PCI resource allocation error. Out of Resources
D5	No Space for Legacy Option ROM
D6	No Console Output Devices are found
D7	No Console Input Devices are found
D8	Invalid password
D9	Error loading Boot Option (LoadImage returned error)
DA	Boot Option is failed (StartImage returned error)
DB	Flash update is failed
DC	Reset protocol is not available

S3 Resume Progress Codes

E0	S3 Resume is started (S3 Resume PPI is called by the DXE IPL)
E1	S3 Boot Script execution
E2	Video repost
E3	OS S3 wake vector call
E4 - E7	Reserved for future AMI progress codes

S3 Resume Error Codes

E8	S3 Resume Failed
E9	S3 Resume PPI not Found
EA	S3 Resume Boot Script Error
EB	S3 OS Wake Error
EC - EF	Reserved for future AMI error codes

Recovery Progress Codes

F0	Recovery condition triggered by firmware (Auto recovery)
F1	Recovery condition triggered by user (Forced recovery)
F2	Recovery process started
F3	Recovery firmware image is found
F4	Recovery firmware image is loaded
F5 - F7	Reserved for future AMI progress codes

Recovery Error Codes

F8	Recovery PPI is not available
F9	Recovery capsule is not found
FA	Invalid recovery capsule
FB - FF	Reserved for future AMI error codes

ACPI States Codes

The following codes appear after booting and the operating system into ACPI modes.

01	System is entering S1 sleep state
02	System is entering S2 sleep state
03	System is entering S3 sleep state
04	System is entering S4 sleep state
05	System is entering S5 sleep state
10	System is waking up from the S1 sleep state
20	System is waking up from the S2 sleep state
30	System is waking up from the S3 sleep state
40	System is waking up from the S4 sleep state
AC	System has transitioned into ACPI mode. Interrupt controller is in PIC mode.
AA	System has transitioned into ACPI mode. Interrupt controller is in APIC mode.

CPU Temperature

00 - 99	Displays current CPU temperature after the system has fully booted into the OS.
---------	---

Installing OS, Drivers & Utilities

Please download and update the latest utilities and drivers at www.msi.com

Installing Windows® 10

1. Power on the computer.
2. Insert the Windows® 10 installation disc/USB into your computer.
3. Press the **Restart** button on the computer case.
4. Press **F11** key during the computer POST (Power-On Self Test) to get into Boot Menu.
5. Select the Windows® 10 installation disc/USB from the Boot Menu.
6. Press any key when screen shows **Press any key to boot from CD or DVD...** message.
7. Follow the instructions on the screen to install Windows® 10.

Installing Drivers

1. Start up your computer in Windows® 10.
2. Insert MSI® USB Drive into the USB port.
3. Click the **Select to choose what happens with this disc** pop-up notification, then select **Run DVDSetup.exe** to open the installer. If you turn off the AutoPlay feature from the Windows Control Panel, you can still manually execute the **DVDSetup.exe** from the root path of the MSI USB Drive.
4. The installer will find and list all necessary drivers in the **Drivers/Software** tab.
5. Click the **Install** button in the lower-right corner of the window.
6. The drivers installation will then be in progress, after it has finished it will prompt you to restart.
7. Click **OK** button to finish.
8. Restart your computer.

Installing Utilities

Before you install utilities, you must complete drivers installation.

1. Open the installer as described above.
2. Click the **Utilities** tab.
3. Select the utilities you want to install.
4. Click the **Install** button in the lower-right corner of the window.
5. The utilities installation will then be in progress, after it has finished it will prompt you to restart.
6. Click **OK** button to finish.
7. Restart your computer.

UEFI BIOS

MSI UEFI BIOS is compatible with UEFI (Unified Extensible Firmware Interface) architecture. The UEFI BIOS firmware infrastructure has many new functions and advantages that traditional BIOS cannot achieve. It will fully support future PCs and devices that comply with UEFI firmware architecture.

Important

The term BIOS in this user guide refers to UEFI BIOS unless otherwise noted.

UEFI advantages

- Fast booting - UEFI can directly boot the operating system and save the BIOS self-test process. And also eliminates the time to switch to CSM mode during POST
- Supports for hard drive partitions larger than 2 TB.
- Supports more than 4 primary partitions with a GUID Partition Table (GPT).
- Supports unlimited number of partitions
- Supports full capabilities of new devices - new devices may not provide backward compatibility.
- Supports secure startup - UEFI can check the validity of the operating system to ensure that no malware tampers with the startup process.

Incompatible UEFI cases

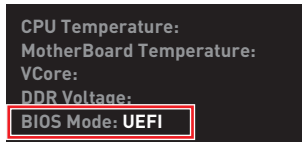
- **32-bit Windows operating system** - this motherboard supports only 64-bit Windows 10 operating system.
- **Older graphics card** - the system will detect your graphics card. When display a warning message **There is no GOP (Graphics Output protocol) support detected in this graphics card.**

Important

We recommend that you to replace with a GOP/UEFI compatible graphics card or using integrated graphics from CPU for having normal function..

How to check the BIOS mode?

After entering the BIOS, find the BIOS Mode at the top of the screen.



UEFI boot mode

BIOS Setup

The default settings offer the optimal performance for system stability in normal conditions. You should **always keep the default settings** to avoid possible system damage or failure booting unless you are familiar with BIOS.



Important

- *BIOS items are continuously update for better system performance. Therefore, the description may be slightly different from the latest BIOS and should be for reference only. You could also refer to the **HELP** information panel for BIOS item description.*
- *The pictures in this chapter are for reference only and may vary from the product you purchased.*
- *The BIOS items will vary with the processor.*

Entering BIOS Setup

Press **Delete** key, when the **Press DEL key to enter Setup Menu, F11 to enter Boot Menu** message appears on the screen during the boot process.

Function key

- F1:** General Help list
- F2:** Add/ Remove a favorite item
- F3:** Enter Favorites menu
- F4:** Enter CPU Specifications menu
- F5:** Enter Memory-Z menu
- F6:** Load optimized defaults
- F7:** Switch between Advanced mode and EZ mode
- F8:** Load Overclocking Profile
- F9:** Save Overclocking Profile
- F10:** Save Change and Reset*
- F12:** Take a screenshot and save it to USB flash drive (FAT/ FAT32 format only).
- Ctrl+F:** Enter Search page

* When you press F10, a confirmation window appears and it provides the modification information. Select between Yes or No to confirm your choice.

Resetting BIOS

You might need to restore the default BIOS setting to solve certain problems. There are several ways to reset BIOS:

- Go to BIOS and press **F6** to load optimized defaults.
- Short the **Clear CMOS** jumper on the motherboard.
- Press the **Clear CMOS** button on the rear I/O panel.



Important

*Be sure the computer is off before clearing CMOS data. Please refer to the **Clear CMOS jumper/ button** section for resetting BIOS.*

Updating BIOS

Updating BIOS with M-FLASH

Before updating:

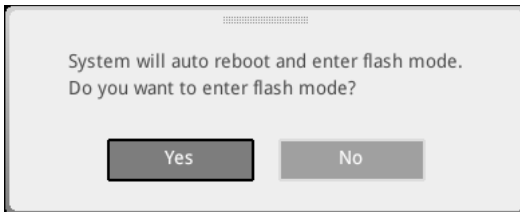
Please download the latest BIOS file that matches your motherboard model from MSI website. And then save the BIOS file into the USB flash drive.

Updating BIOS:

1. Insert the USB flash drive that contains the update file into the USB port.
2. Please refer the following methods to enter flash mode.
 - Reboot and press **Ctrl + F5** key during POST and click on **Yes** to reboot the system.

Press <Ctrl+F5> to activate M-Flash for BIOS update.

- Reboot and press **Del** key during POST to enter BIOS. Click the **M-FLASH** button and click on **Yes** to reboot the system.



3. Select a BIOS file to perform the BIOS update process.
4. Click on **Yes** to start recovering BIOS.
5. After the flashing process is 100% completed, the system will reboot automatically.

Updating the BIOS with MSI DRAGON CENTER

Before updating:

Make sure the LAN driver is already installed and the internet connection is set properly.

Updating BIOS:

1. Install and launch MSI DRAGON CENTER and go to **Support** page.
2. Select **Live Update** and click on Advance button.



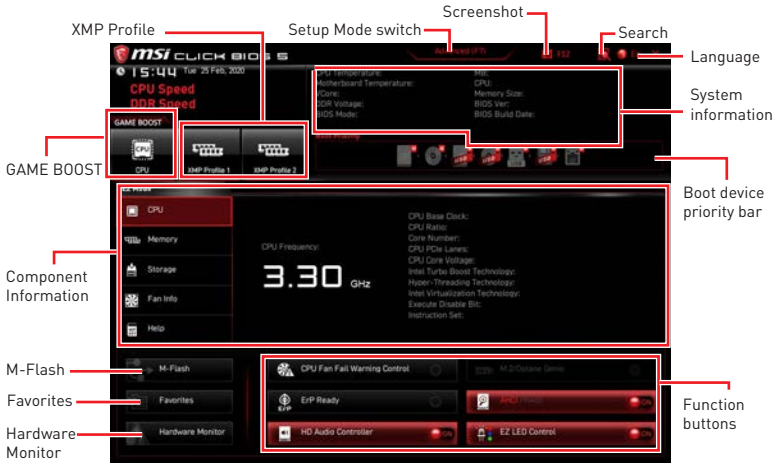
3. Click on **Scan** button to search the latest BIOS file.
4. Select the BIOS file and click on **Download** icon to download and install the latest BIOS file.
5. Click **Next** and choose **In Windows mode**. And then click **Next** and **Start** to start updating BIOS.
6. After the flashing process is 100% completed, the system will restart automatically.

Updating BIOS with Flash BIOS Button

1. Please download the latest BIOS file that matches your motherboard model from the MSI® website.
2. Rename the BIOS file to **MSI.ROM**, and save it to the root of your USB flash drive.
3. Connect the power supply to **CPU_PWR1** and **ATX_PWR1**. (No need to install CPU and memory.)
4. Plug the USB flash drive that contains the MSI.ROM file into the **Flash BIOS Port** on the rear I/O panel.
5. Press the **Flash BIOS** Button to flash BIOS, and the LED starts flashing.
6. The LED will be turned off when the process is completed.

EZ Mode

At EZ mode, it provides the basic system information and allows you to configure the basic setting. To configure the advanced BIOS settings, please enter the Advanced Mode by pressing the **Setup Mode switch** or **F7** function key.



• **GAME BOOST** - click on it to toggle the GAME BOOST for overclocking. This function is only available when both of the motherboard and CPU are supporting this function.

Important

*Please don't make any changes in OC menu and don't load defaults to keep the optimal performance and system stability after activating the **GAME BOOST** function.*

- **XMP Profile** - allows you to select the XMP profile for memory to overclock. This function is only available when the system, memory and CPU are supporting this function.
- **Setup Mode switch** - press this tab or the **F7** key to switch between Advanced mode and EZ mode.
- **Screenshot** - click on this tab or the **F12** key to take a screenshot and save it to USB flash drive (FAT/ FAT32 format only).
- **Search** - click on this tab or the **Ctrl+F** keys to enter the search page. It allows you to search by BIOS item name. Move the mouse over a blank space and right click the mouse to exit the search page.

Important

In search page, only the F6, F10 and F12 function keys are available.

- **Language** - allows you to select language of BIOS setup.
- **System information** - shows the CPU/ DDR speed, CPU/ MB temperature, MB/ CPU type, memory size, CPU/ DDR voltage, BIOS version and build date.
- **Boot device priority bar** - you can move the device icons to change the boot priority. The boot priority from high to low is left to right.
- **Component Information** - click on the **CPU, Memory, Storage, Fan Info** and **Help** buttons to show the information of connected component.
- **Function buttons** - enable or disable these functions by clicking on these buttons. The function is enabled when the button shows **ON** .



Important

The function buttons will vary with the motherboard you purchased.

- **M-Flash** - click on this button to enter the **M-Flash** menu that provides the way to update BIOS with a USB flash drive.
- **Hardware Monitor** - click on this button to enter the **Hardware Monitor** menu that allows you to manually control the fan speed by percentage.

- **Favorites** - click on this button or press the **F3** key to show the **Favorites** window. It provides 5 menus for you to create personal BIOS menu where you can save and access favorite/ frequently-used BIOS setting items.



▪ **To add a BIOS item to a favorite menu**

1. Select a BIOS item not only on BIOS menu but also on search page.
2. Right-click or press **F2** key.
3. Choose a favorite page and click on **OK**.



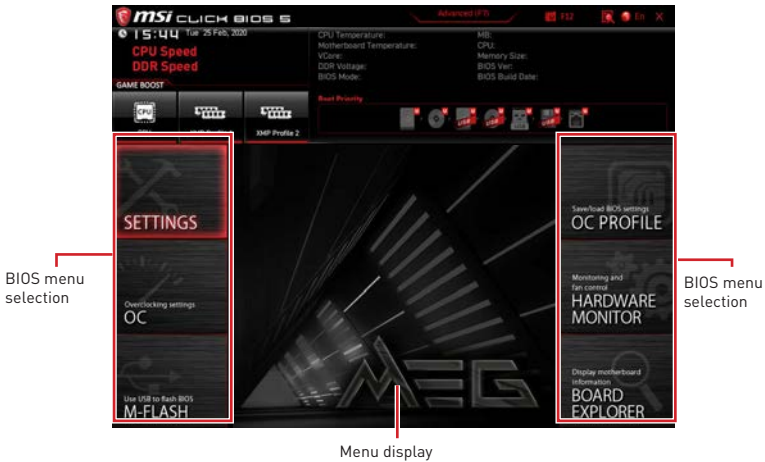
▪ **To delete a BIOS item from favorite menu**

1. Select a BIOS item on favorite menu.
2. Right-click or press **F2** key.
3. Choose **Delete** and click on **OK**.



Advanced Mode

Press **Setup Mode switch** or **F7** function key can switch between EZ Mode and Advanced Mode in BIOS setup.



- **BIOS menu selection** - the following options are available:
 - **SETTINGS** - allows you to specify the parameters for chipset and boot devices.
 - **OC** - allows you to adjust the frequency and voltage. Increasing the frequency may get better performance.
 - **M-FLASH** - provides the way to update BIOS with a USB flash drive.
 - **OC PROFILE** - allows you to manage overclocking profiles.
 - **HARDWARE MONITOR** - allows you to set the speeds of fans and monitor voltages of system.
 - **BOARD EXPLORER** - provides the information of installed devices on this motherboard.
- **Menu display** - provides BIOS setting items and information to be configured.

OC Menu

This menu allows you to configure the frequencies and voltages for overclocking. Please note that, higher frequency and voltage may benefit overclocking capability but cause system un-stability.



Important

- Overclocking your PC manually is only recommended for advanced users.
- Overclocking is not guaranteed, and if done improperly, it could void your warranty or severely damage your hardware.
- If you are unfamiliar with overclocking, we advise you to use **GAME BOOST** function for easy overclocking.
- The BIOS items in OC menu will vary with the processor.

► **OC Explore Mode [Expert]**

Enables or disables to show the normal or expert version of OC settings.

[Normal] Provides the regular OC settings in BIOS setup.

[Expert] Provides the advanced OC settings for OC expert to configure in BIOS setup.

Note: We use * as the symbol for the OC settings of Expert mode.

► **Extreme OC Setup [Disabled]***

Sets the optimal BIOS setting for extreme overclocking.

► **CPU Ratio Apply Mode [All Core]***

Sets applied mode for CPU ratio. This item only appears when a CPU that supports **Turbo Boost** is installed.

► **CPU Ratio [Auto]**

Sets the CPU ratio that is used to determine CPU clock speed. This item only appears when **CPU Ratio Apply Mode** set to **All Core**.

► **X-Core Ratio Limit [Auto]**

Allows you to set the CPU ratios for different number of active cores. These items only appear when **CPU Ratio Apply Mode** set to **Turbo Ratio**.

► **Numbers of CPU Cores of Group X [Auto]***

Sets the number of CPU cores as a group to run target CPU Turbo Ratio. The next group should be more than former one in CPU core number. These items only appear when **CPU Ratio Apply Mode** set to **Turbo Ratio**.

► **Target CPU Turbo Ratio Group X [Auto]**

Sets the target CPU Turbo ratio value for assigned CPU cores group. The target CPU Turbo Ratio value should not be higher than former one. These items only appear when **CPU Ratio Apply Mode** set to **Turbo Ratio**.

► **Adjusted CPU Frequency**

Shows the adjusted CPU frequency. Read-only.

► **Core X X of X xxxx MHz [Auto]**

Allows you to set the CPU ratios for different number of active cores. These items only appear when **CPU Ratio Apply Mode** set to **Per Core**.

► **Turbo Ratio Offset Value [Auto]**

Sets the CPU Turbo ratio offset value. This item only appears when **CPU Ratio Apply Mode** set to **Turbo Ratio Offset**.

► **CPU Ratio Mode [Dynamic Mode]***

Selects the CPU Ratio operating mode. This item will appear when you set the CPU ratio manually.

[Fixed Mode] Fixes the CPU ratio.

[Dynamic Mode] CPU ratio will be changed dynamically according to the CPU loading.

► **CPU Ratio Offset When Running AVX [Auto]**

Sets a offset value to lower the CPU core ratio. It could be helpful for heat dissipation when running AVX instructions. When set to Auto, BIOS will configure this setting automatically. This item appears when the installed CPU supports this function.

► **Ring Ratio [Auto]**

Sets the ring ratio. The valid value range depends on the installed CPU.

► **Adjusted Ring Frequency**

Shows the adjusted Ring frequency. Read-only.

► **GT Ratio [Auto]**

Sets the integrated graphics ratio. The valid value range depends on the installed CPU.

► **Adjusted GT Frequency**

Shows the adjusted integrated graphics frequency. Read-only.

► **+Misc Setting***

Press Enter, + or - key to open or close the following items related to CPU features.

► **CPU Base Clock (MHz) [Default]**

Sets the CPU Base clock. You may overclock the CPU by adjusting this value. Please note that overclocking behavior and stability is not guaranteed. This item appears when a CPU that support this function is installed.

► **CPU Base Clock Apply Mode [Auto]***

Sets the applying mode for adjusted CPU base clock.

[Auto] This setting will be configured automatically by BIOS.

[Next Boot] CPU will run the adjusted CPU base clock next boot.

[Immediate] CPU runs the adjusted CPU base clock immediately.

► **Clockgen Features sub-menu**

Press **Enter** to enter the sub-menu. Sets the detailed clockgen features.

► Extreme Memory Profile (XMP) [Disabled]

XMP (Extreme Memory Profile) is the overclocking technology by memory module. Please enable XMP or select a profile of memory module for overclocking the memory. This item will be available when the memory modules that support XMP is installed.

► DRAM Reference Clock [Auto]*

Sets the DRAM reference clock. The valid value range depends on the installed CPU. This item appears when a CPU that supports this adjustment is installed.

► DRAM Frequency [Auto]

Sets the DRAM frequency. Please note the overclocking behavior is not guaranteed.

► Adjusted DRAM Frequency

Shows the adjusted DRAM frequency. Read-only.

► Load Memory Presets [Disabled]*

Load OC Memory Preset will optimize the timing, voltage of installed memory module.

► Memory Try It ! [Disabled]

It can improve memory compatibility or performance by choosing optimized memory preset.

► DRAM Timing Mode [Link]

Selects the memory timing mode.

[Link] Allows user to configure the DRAM timing for all memory channel.

[UnLink] Allows user to configure the DRAM timing for respective memory channel.

► Advanced DRAM Configuration

Press **Enter** to enter the sub-menu. User can set the memory timing for each/ all memory channel. The system may become unstable or unbootable after changing memory timing. If it occurs, please clear the CMOS data and restore the default settings. (Refer to the Clear CMOS jumper/ button section to clear the CMOS data, and enter the BIOS to load the default settings.)

► Memory Fast Boot [Auto] *

Enables or disables the initiation and training for memory every booting.

[Auto] The setting will be configured automatically by BIOS.

[Enabled] System will completely keep the archives of first initiation and training for memory. So the memory will not be initiated and trained when booting to accelerate the system booting time.

[Disabled] The memory will be initiated and trained every booting.

► DigitALL Power sub-menu

Press **Enter** to enter the sub-menu. In the sub-menu, you can setup some protecting conditions about voltage/ current/ temputure for CPU.

► CPU Core/ GT Voltage Mode [Auto]*

Sets the CPU Core/ GT voltage mode.

▶ CPU Core Voltage Mode [Auto]*

Sets the CPU Core voltage mode.

▶ CPU Voltages control [Auto]

These options allow you to set the voltages related to CPU. If set to **Auto**, BIOS will set these voltages automatically or you can set it manually.

▶ DRAM Voltages control [Auto]

These options allow you to set the voltages related to memory. If set to **Auto**, BIOS will set these voltages automatically or you can set it manually.

▶ PCH Voltages control [Auto]

These options allow you to set the voltages related to PCH. If set to **Auto**, BIOS will set these voltages automatically or you can set it manually.

▶ CPU Memory Changed Detect [Enabled]*

Enables or disables the system to issue a warning message during boot when the CPU or memory has been replaced.

[Enabled] The system will issue a warning message during boot and then you have to load the default settings for new devices.

[Disabled] Disables this function and keeps the current BIOS settings.

▶ OC Quick View Timer [3 Sec]*

Sets the duration of OC setting values showed on the screen. If set to Disabled, BIOS will not show the variations of OC setting.

▶ CPU Specifications sub-menu

Press **Enter** to enter the sub-menu. This sub-menu displays the information of installed CPU. You can also access this information menu at any time by pressing [F4]. Read only.

▶ MEMORY-Z sub-menu

Press **Enter** to enter the sub-menu. This sub-menu displays all the settings and timings of installed memory. You can also access this information menu at any time by pressing [F5].

▶ CPU Features sub-menu

Press **Enter** to enter the sub-menu. You can enable or disable the CPU features and technologies to protect CPU and improve the system performance.

Inhalt

Sicherheitshinweis	3
Spezifikationen	4
JCORSAIR1 Anschluss-Spezifikationen.....	10
Packungsinhalt	10
Rückseite E/A	11
LAN Port LED Zustandstabelle.....	11
Konfiguration der Audioanschlüsse.....	11
Realtek Audio Console.....	12
Antennen installieren.....	14
Übersicht der Komponenten	15
CPU Sockel.....	16
DIMM Steckplätze	17
PCI_E1~5: PCIe Erweiterungssteckplätze.....	18
M2_1~3: M.2 Steckplätze (Key M).....	20
SATA1~6: SATA 6Gb/s Anschlüsse.....	22
JFP1, JFP2: Frontpanel-Anschlüsse.....	23
CPU_PWR1~2, ATX_PWR1: Stromanschlüsse.....	24
JBLK_U1: Basistakt Plus Anschluss.....	25
Spannungsmesspunkte Lite (V-Check Points).....	25
JSLOW1: Slow Mode Booting Steckbrücke.....	26
JLN1: Steckbrücke für den Start bei niedrigen Temperaturen.....	26
JOC_RT1: OC Retry Taste.....	27
JOC_FS1: OC Force Enter BIOS Taste.....	27
JAUD1: Audioanschluss des Frontpanels.....	28
JUSB1: USB 3.2 Gen 2 Typ-C Anschluss.....	28
JUSB2: USB 3.2 Gen 1 Anschluss.....	29
JUSB3~4: USB 2.0 Anschlüsse.....	30
JTPM1: TPM Anschluss.....	30
CPU_FAN1, PUMP_FAN1, SYS_FAN1~6: Stromanschlüsse für Lüfter.....	31
JTBT1: Anschluss für Thunderbolt-Erweiterungskarte.....	32
JRTD3: Intel RTD3 Anschluss.....	32
JCI1: Gehäusekontaktanschluss.....	33
JBAT1: Clear CMOS Steckbrücke (Reset BIOS).....	34
POWER1, RESET1: Power-Taste, Reset-Taste.....	34
JRGB1: RGB LED Anschluss.....	35
JRAINBOW1~2: Adressierbare RGB LED Anschlüsse.....	36
JCORSAIR1: CORSAIR Anschluss.....	37

Onboard LEDs	38
EZ Debug LED.....	38
XMP LED.....	38
JPWRLED1: LED Stromzufuhr.....	38
LED_SW1: EZ LED-Steuerung.....	39
Debug Code LED.....	39
Hexadezimalzeichen.....	39
Boot-Phasen.....	39
Debug-Code-LED-Tabelle.....	40
ACPI Status-Codes.....	44
CPU-Temperatur.....	44
Installation von OS, Treibern und Utilities	45
Installation von Windows® 10.....	45
Installation von Treibern.....	45
Installation von Utilities.....	45
UEFI BIOS	46
BIOS Setup.....	47
Öffnen des BIOS Setups.....	47
Reset des BIOS.....	48
Aktualisierung des BIOS.....	48
EZ Modus.....	50
Erweiterter Modus.....	54
OC Menü.....	55

Sicherheitshinweis

- Die im Paket enthaltene Komponenten sind der Beschädigung durch elektrostatischen Entladung (ESD). Beachten Sie bitte die folgenden Hinweise, um die erfolgreiche Computermontage sicherzustellen.
- Stellen Sie sicher, dass alle Komponenten fest angeschlossen sind. Lockere Steckverbindungen können Probleme verursachen, zum Beispiel: Der Computer erkennt eine Komponente nicht oder startet nicht.
- Halten Sie das Motherboard nur an den Rändern fest, und verhindern Sie die Berührung der sensiblen Komponenten.
- Um eine Beschädigung der Komponenten durch elektrostatische Entladung (ESD) zu vermeiden, sollten Sie eines elektrostatischen Armbands während der Handhabung des Motherboards tragen. Wenn kein elektrostatisches Handgelenkband vorhanden ist, sollten Sie Ihre statische Elektrizität ableiten, indem Sie ein anderes Metallobjekt berühren, bevor Sie das Motherboard anfassen.
- Bewahren Sie das Motherboard in einer elektrostatische Abschirmung oder einem Antistatiktuch auf, wenn das Motherboard nicht installiert ist.
- Überprüfen Sie vor dem Einschalten des Computers, dass sich keine losen Schrauben und andere Bauteile auf dem Motherboard oder im Computergehäuse befinden.
- Bitte starten Sie den Computer nicht, bevor die Installation abgeschlossen ist. Dies könnte permanente Schäden an den Komponenten sowie zu das Verletzung des Benutzers verursachen.
- Sollten Sie Hilfe bei der Installation benötigen, wenden Sie sich bitte an einen zertifizierten Computer-Techniker.
- Schalten Sie die Stromversorgung aus und ziehen Sie das das Stromkabel ab, bevor Sie jegliche Computer-Komponente ein- und ausbauen.
- Bewahren Sie die Bedienungsanleitung als künftige Referenz auf.
- Halten Sie das Motherboard von Feuchtigkeit fern.
- Bitte stellen Sie sicher, dass Ihre Netzspannung den Hinweisen auf dem Netzteil vor Anschluss des Netzteils an die Steckdose entspricht.
- Verlegen Sie das Netzkabel so, dass niemand versehentlich darauf treten kann. Stellen Sie nichts auf dem Netzkabel ab.
- Alle Achtungs- und Warnhinweise auf dem Motherboard müssen befolgt werden.
- Falls einer der folgenden Umstände eintritt, lassen Sie bitte das Motherboard von Kundendienstpersonal prüfen:
 - Flüssigkeit ist in dem Computer eingedrungen.
 - Das Motherboard wurde Feuchtigkeit ausgesetzt.
 - Das Motherboard funktioniert nicht richtig oder Sie können es nicht wie in der Bedienungsanleitung beschrieben bedienen.
 - Das Motherboard ist heruntergefallen und beschädigt.
 - Das Motherboard weist offensichtlich Zeichen eines Schadens auf.
- Nutzen und lagern Sie das Gerät nicht an Stellen, an denen Temperaturen von mehr als 60°C herrschen - das Motherboard kann in diesem Fall Schaden nehmen.

Spezifikationen

CPU	<p>Unterstützt Intel® Core™ der 10. Generation Prozessoren und Pentium® Gold / Celeron® Prozessoren für Sockel LGA 1200*</p> <p>* Weitere Kompatibilitätsinformationen finden Sie unter www.intel.com. * Die integrierte Grafikausgabe ist deaktiviert, wenn F-SKU-Prozessoren verwendet werden.</p>
Chipsatz	Intel® Z490 Chipsatz
Speicher	<ul style="list-style-type: none"> • 4x DDR4 Speicherplätze, aufrüstbar bis 128 GB* • Unterstützt 1R 2133/2666/2933 MHz* <ul style="list-style-type: none"> ▪ 1DPC 1R max. Übertragungsraten bis zu 4800+ MHz ▪ 1DPC 2R max. Übertragungsraten bis zu 4266+ MHz ▪ 2DPC 1R max. Übertragungsraten bis zu 4400+ MHz ▪ 2DPC 2R max. Übertragungsraten bis zu 4000+ MHz • Dual-Kanal-Speicherarchitektur • Unterstützt non-ECC, ungepufferte Speicher • Unterstützt Intel® Extreme Memory Profile (XMP) <p>*Weitere Informationen zu kompatiblen Speicher finden Sie unter: http://www.msi.com</p>
Erweiterungsanschlüsse	<ul style="list-style-type: none"> • 3x PCIe 3.0 x16 Steckplätze (2 von CPU, 1 von PCH, unterstützt 16/0/4, 8/8/4) • 2x PCIe x1 Steckplätze (von PCH)
Multi-GPU	<ul style="list-style-type: none"> • Unterstützt die 2-Wege NVIDIA® SLI™ Technologie • Unterstützt die 3-Wege AMD® CrossFire™ Technologie

Fortsetzung auf der nächsten Seite

Fortsetzung der vorherigen Seite

Aufbewahrung	<p>Intel® Z490 Chipsatz</p> <ul style="list-style-type: none">• 6x SATA 6Gb/s Anschlüsse*• 3x M.2 Steckplätze (Key M)<ul style="list-style-type: none">▪ M2_1 unterstützt bis zu PCIe 3.0 x4 und SATA 6Gb/s, 2242/ 2260/ 2280/ 22110 Speichergeräte*▪ M2_2 unterstützt bis zu PCIe 3.0 x4 und SATA 6Gb/s, 2242/ 2260/ 2280 Speichergeräte**▪ M2_3 unterstützt bis zu PCIe 3.0 x4, 2242/ 2260/ 2280 Speichergeräte▪ Intel® Optane™ Memory Ready***▪ Unterstützt Intel® Smart Response Technologie für Intel Core™ Prozessoren <p>* SATA2 wird nicht zur Verfügung stehen, wenn Sie eine M.2 SATA SSD im M2_1 Steckplatz installieren.</p> <p>** SATA5 & SATA6 werden nicht zur Verfügung stehen, wenn Sie eine M.2 SATA/ PCIe SSD im M2_2 Steckplatz installieren.</p> <p>*** Bevor Sie Intel® Optane™ Speichermodule verwenden, stellen Sie bitte über Downloads von der MSI Website sicher, dass die Treiber und das BIOS auf dem neuesten Stand sind.</p>
RAID	<p>Intel® Z490 Chipsatz</p> <ul style="list-style-type: none">• Unterstützt RAID 0, RAID1, RAID 5 und RAID 10 für SATA Speichergeräte• Unterstützt RAID 0, RAID 1 und RAID 5 für M.2 PCIe Speichergeräte
LAN	<ul style="list-style-type: none">• 1x Realtek® 8125B 2.5G LAN Controller
Wireless/ Bluetooth	<p>Intel® AX201</p> <ul style="list-style-type: none">• MU-MIMO TX/RX, 2.4GHz/ 5GHz (160MHz) mit Datenraten bis zu 2,4Gbit/s• 802.11ac; WiFi 6 ist vorzertifiziert• Bluetooth 5.0, FIPS, FISMA• 1x M.2 Sockel mit E Key (Wi-Fi Modus)

Fortsetzung auf der nächsten Seite

Fortsetzung der vorherigen Seite

USB	<ul style="list-style-type: none">• Intel® Z490 Chipsatz<ul style="list-style-type: none">▪ 4x USB 3.2 Gen 2 10Gbit/s Anschlüsse (3 Typ-A Anschlüsse an der rückseitigen Anschlussleiste, 1 Typ-C interner Anschluss)▪ 4x USB 3.2 Gen 1 5Gbit/s Anschlüsse (2 Typ-A Anschlüsse an der rückseitigen Anschlussleiste, 2 Anschlüsse stehen durch die internen USB Anschlüsse zur Verfügung)▪ 6x USB 2.0 Anschlüsse (2 Typ-A Anschlüsse an der rückseitigen Anschlussleiste, 4 Anschlüsse stehen durch die internen USB 2.0 Anschlüsse zur Verfügung)• ASMedia® 3241 Chipsatz<ul style="list-style-type: none">▪ 1x USB 3.2 Gen 2x2 20Gbit/s Typ-C Anschluss an der rückseitigen Anschlussleiste
Audio	<p>Realtek® ALC1220 Codec + ESS E9018Q2C Combo DAC</p> <ul style="list-style-type: none">• 7.1-Kanal-HD-Audio• Unterstützt den optischen S/PDIF-Ausgang
Hintere Ein- und Ausgänge	<ul style="list-style-type: none">• 1x Clear CMOS• 1x Flash BIOS Taste• 1x PS/2 Tastatur/ Maus-Combo-Anschluss• 2x USB 2.0 Anschlüsse• 2x USB 3.2 Gen 1 5Gbit/s Typ-A Anschlüsse• 3x USB 3.2 Gen 2 10Gbit/s Typ-A Anschlüsse• 1x USB 3.2 Gen 2x2 20Gbit/s Typ-C Anschluss• 1x LAN (RJ45) Anschluss• 1x Wi-Fi Antennenanschluss• 1x Optischer S/PDIF-Ausgang Anschluss• 5x OFC Audiobuchsen


Fortsetzung auf der nächsten Seite

Fortsetzung der vorherigen Seite

Interne Anschlüsse	<ul style="list-style-type: none">• 1x 24-poliger ATX Stromanschluss• 2x 8-polige ATX 12V Stromanschlüsse• 6x SATA 6Gb/s Anschlüsse• 3x M.2 Steckplätze (M-Key)• 1x USB 3.2 Gen 2 10Gbit/s Typ-C Anschluss• 1x USB 3.2 Gen 1 5Gbit/s Anschluss (unterstützt zusätzliche 2 USB 3.2 Gen 1 5Gbit/s Anschlüsse)• 2x USB 2.0 Anschlüsse (unterstützt zusätzliche 4 USB 2.0 Anschlüsse)• 1x 4-poliger CPU-Lüfter-Anschluss• 1x 4-poliger Anschluss für die Wasserpumpe• 6x 4-polige System-Lüfter-Anschlüsse• 1x Audioanschluss des Frontpanels• 2x System-Panel-Anschlüsse• 1x Gehäusekontaktschalter• 1x Slow Mode Steckbrücke• 1x Power-Taste• 1x Reset-Taste• 1x 4-poliger RGB LED Anschluss• 2x 3-polige RAINBOW LED Anschlüsse• 1x 3-poliger CORSAIR LED Anschluss
LED Funktionen	<ul style="list-style-type: none">• 1x LED Steuerung• 4x EZ Debug LED• 1x 2-Digit Debug Code LED
E/A Anschluss	NUVOTON NCT6687 Controller Chip
Hardware Monitor	<ul style="list-style-type: none">• CPU/System Temperaturerfassung• CPU/System Geschwindigkeitserfassung• CPU/System Lüfterdrehzahlregelung
Formfaktor	<ul style="list-style-type: none">• ATX Formfaktor• 12 Zoll x 9,6 Zoll (30,5 cm x 24,4 cm)
BIOS Funktionen	<ul style="list-style-type: none">• 1x 256 Mb Flash• UEFI AMI BIOS• ACPI 6.2, SM BIOS 3.2• Mehrsprachunterstützung

Fortsetzung auf der nächsten Seite

Fortsetzung der vorherigen Seite

Software	<ul style="list-style-type: none">• Treiber• DRAGON CENTER• Intel Extreme Tuning Utility• Nahimic Audio• MSI App Player (BlueStacks)• Open Broadcaster Software (OBS)• CPU-Z MSI GAMING• Google Chrome™, Google Toolbar, Google Drive• Norton™ Internet Security Solution
Dragon Center Funktionen	<ul style="list-style-type: none">• Gaming Mode• Gaming Hotkey• LAN Manager• Mystic Light• Ambient Link• Benutzer-Szenario• Monitor (Hardware Monitor)• True Color• Live Update• DPC Latency tuner• Speed Up• Smart Tool• Super Charger• Voice Boost <div data-bbox="657 703 785 831"></div> <p data-bbox="653 855 908 911">Weitere Informationen finden Sie unter http://download.msi.com/manual/mb/DRAGONCENTER2.pdf.</p>
Besondere Funktionen	<ul style="list-style-type: none">• Audio<ul style="list-style-type: none">▪ Audio Boost HD▪ Nahimic 3▪ Voice Boost• Netzwerk<ul style="list-style-type: none">▪ 2.5G LAN▪ LAN Manager▪ Intel WiFi

Fortsetzung auf der nächsten Seite

Fortsetzung der vorherigen Seite

Besondere Funktionen

- Kühlung
 - Alle Aluminium Design
 - Frozr Heatsink Design
 - Erweitertes Kühlkörper Design
 - M.2 Shield Frozr
 - Pump-Lüfter
 - Smart-Lüftersteuerung
- LED
 - Mystic Light Extension (RGB)
 - Mystic Light Extension (RAINBOW)
 - Mystic Light Extension (CORSAIR)
 - Mystic Light SYNC
 - Ambient Link
 - EZ LED Steuerung
 - EZ DEBUG LED
- Leistung
 - Multi GPU – SLI Technologie
 - Multi GPU – CrossFire Technologie
 - DDR4 Boost
 - Core Boost
 - Game Boost
 - Lightning USB 20G
 - USB 3.2 Gen 2 10G
 - USB Anschluss mit Typ A+C
 - Front USB Typ-C
 - Dual CPU Power (8+8 Pin)
- Schutz
 - PCI-E Steel Armor
 - Vorinstallierte Anschlussblende
- Erfahrung
 - Dragon Center
 - Click BIOS 5

JCORSAIR1 Anschluss-Spezifikationen

Unterstützung von CORSAIR RGB-Produkten	Maximale Verbindung
Lighting Node PRO LED Streifen	20* * Wenn die Anzahl der LED-Streifen 8 überschreitet, wird die Helligkeit auf 20 Prozent empfohlen.
HD120 RGB Lüfter	6
SP120 RGB Lüfter	6
LL120 RGB Lüfter	6

Packungsinhalt

Überprüfen Sie den Packungsinhalt des Mainboards. Die Packung sollte enthalten:

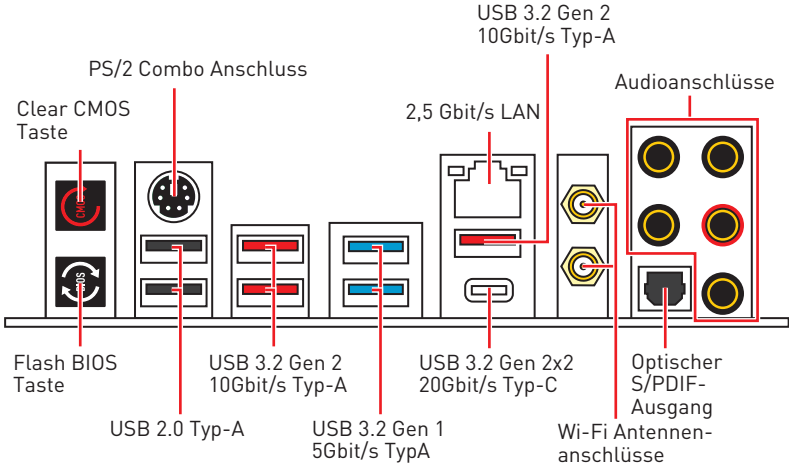
Motherboard	MEG Z490 UNIFY	
Dokumentation	Benutzerhandbuch	1
	Notifizierung für Gehäuse-abstandshalter	1
	Schnellinstallationsanleitung	1
Anwendung	Treiber-DVD	1
Kabel	SATA 6G Kabel (2 Kabel pro Packung)	2
Zubehör	Wi-Fi Antenne	1
	Gehäuse-Aufkleber	1
	SATA-Kabelaufkleber	1
	Produktregistrierungskarte	1
	M.2 Schraube (3 Stück pro Packung)	1



Wichtig

Falls einer der oben aufgeführten Artikel beschädigt ist oder fehlt, wenden Sie sich bitte an Ihren Händler.

Rückseite E/A



- **Clear CMOS Taste** - Schalten Sie den Computer aus. Halten Sie die Taste "Clear CMOS" für 5-10 Sekunden gedrückt, um das BIOS auf die Standardwerte zurückzusetzen.
- **Flash BIOS Anschluss/ Taste** - Auf der Seite 49 finden Sie eine Anleitung für eine BIOS-Aktualisierung per Flash BIOS Taste.

LAN Port LED Zustandstabelle

Verbindung/ Aktivität LED			Geschwindigkeit LED	
Zustand	Bezeichnung		Zustand	Bezeichnung
Aus	Keine Verbindung		Aus	10 Mbit/s-Verbindung
Gelb	Verbindung		Grün	100 Mbit/s / 1 Gbit/s -Verbindung
Blinkt	Datenaktivität		Orange	2,5 Gbit/s-Verbindung

Konfiguration der Audioanschlüsse

Audioanschlüsse	Kanal			
	2	4	6	8
Mitte-/ Subwoofer-Ausgang			●	●
Hinterer Lautsprecher		●	●	●
Line-In/ Seitliche Lautsprecher				●
Line-Out/ Vorderer Lautsprecher	●	●	●	●
Mic-In				

(●: Verbindet, **Blank**: Leer)

Realtek Audio Console

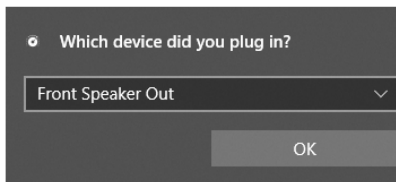
Nach der Installation des Realtek Audio Console-Treibers, können Sie die Audioeinstellungen verändern, um ein optimales Klangerlebnis erzeugen.



- **Geräteauswahl** - Ermöglicht die Auswahl der Audio-Ausgangs Quelle. Das aktuell aktivierte Gerät ist mit einem Haken gekennzeichnet.
- **Optimierungen** - Die Vielfalt an Optionen bietet eine komplette Anleitung von erwarteten Sound-Effekt für beide Ausgangs- und Eingangsvorrichtung.
- **Lautstärke** - Steuert die Lautstärke und die Balance-Einstellung der Lautsprecher, die im Front-Panel oder auf der Rückseite des PCs eingesteckt sind.
- **Verbindungsstatus** - Bildet die angeschlossenen Render- und Capture-Geräte ab.
- **Anschlüsse** - Konfiguriert die Anschlüsseinstellungen.

Auto Pop-up-Dialog

Nach dem Anschluss eines Audio-Klinkensteckers erscheint ein Dialogfenster und fragt nach einer Bestätigung für das angeschlossene Gerät.

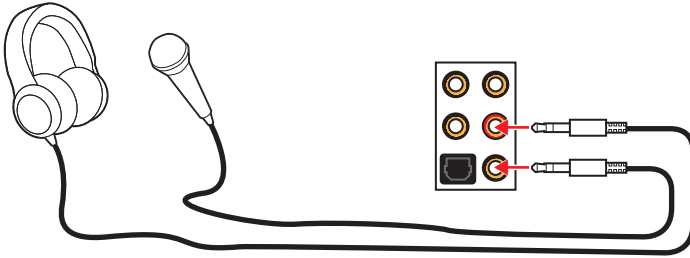


Jede Buchse entspricht diesem Wert der Grundeinstellung, wie es auf den nächsten Seiten gezeigt wird.

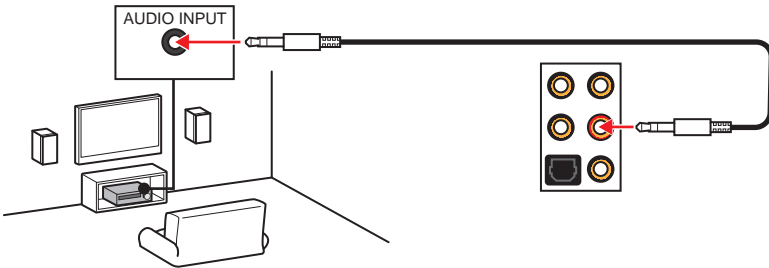


Die obige Bilder stellen lediglich Referenzen dar und können von dem von Ihnen erworbenen Produkt abweichen.

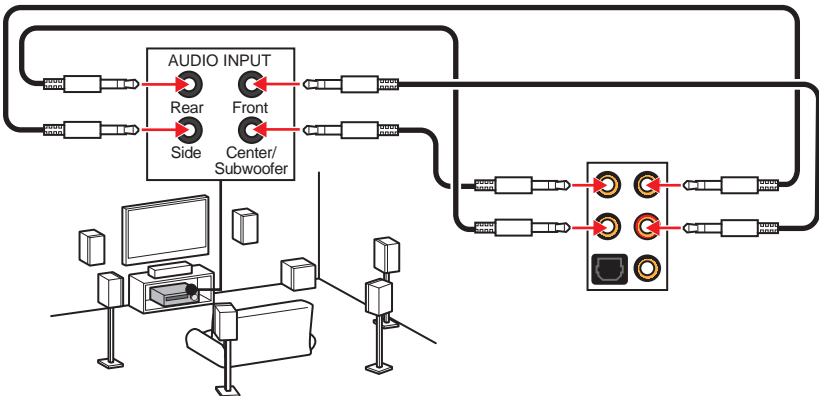
Audiobuchsen für den Anschluss von einem Kopfhörer und Mikrofon



Audiobuchsen für Stereo-Lautsprecher

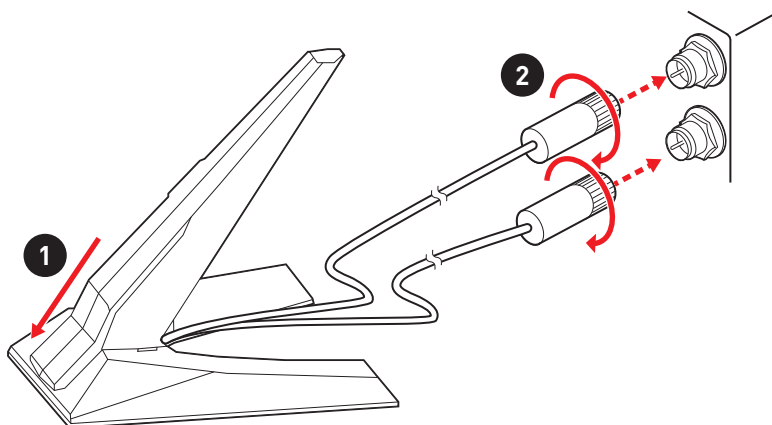


Audiobuchsen für 7.1 Kanal Anlage

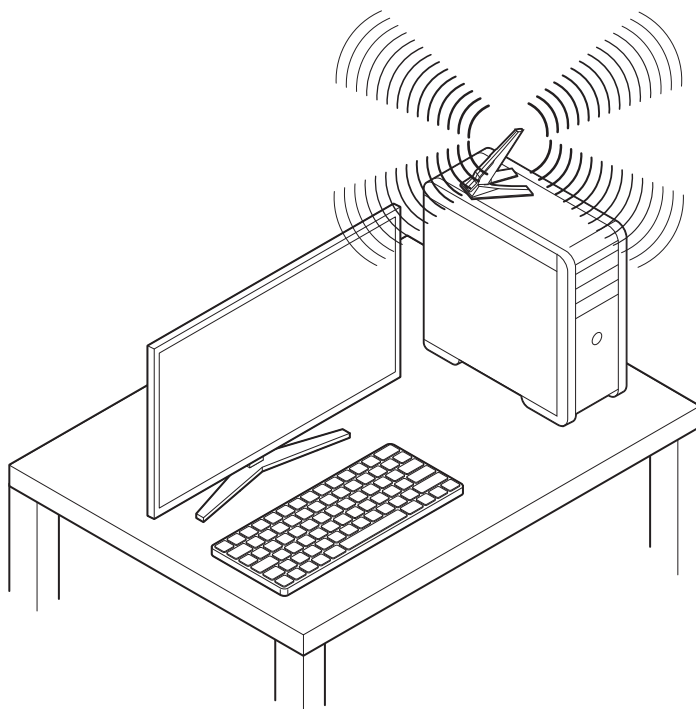


Antennen installieren

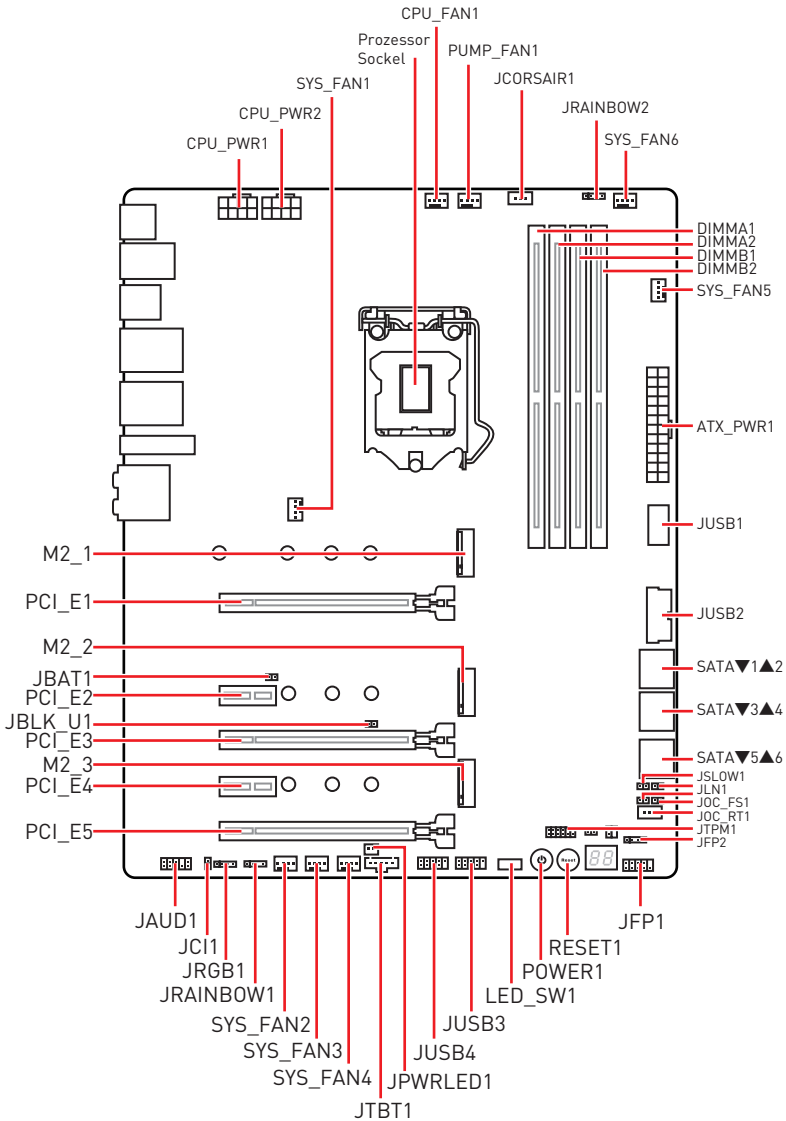
1. Verbinden Sie Antenne mit dem Antennenfuß.
2. Schrauben Sie, wie gezeigt, die Antennen fest an die Wi-Fi Antennenanschlüsse.



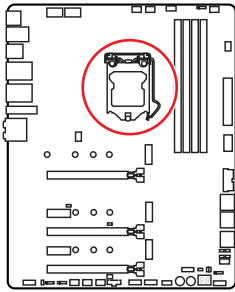
3. Positionieren Sie die Antennen so hoch wie möglich.



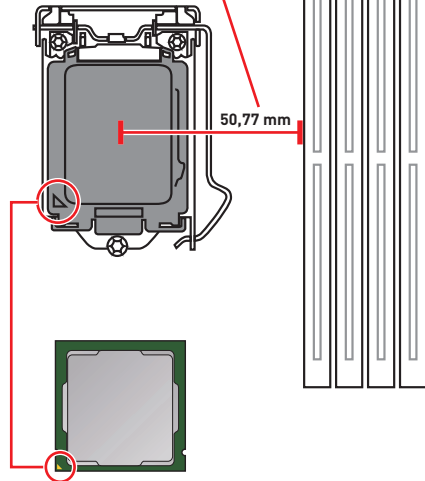
Übersicht der Komponenten



CPU Socket



Abstand zwischen der Mitte der CPU und dem nächsten DIMM-Steckplatz.



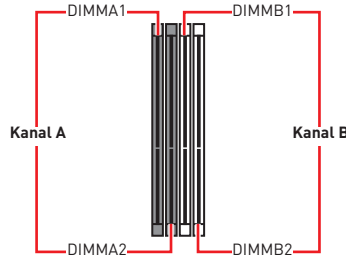
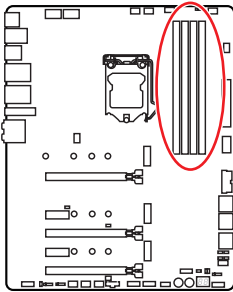
Erklärung zur LGA 1200 CPU

Die Oberseite der LGA 1200 CPU hat vier **Justierungen** und ein **goldenes Dreieck** um die korrekte Ausrichtung der CPU auf dem Motherboard zu gewährleisten. Das goldene Dreieck des Prozessors definiert die Position des ersten Pins.

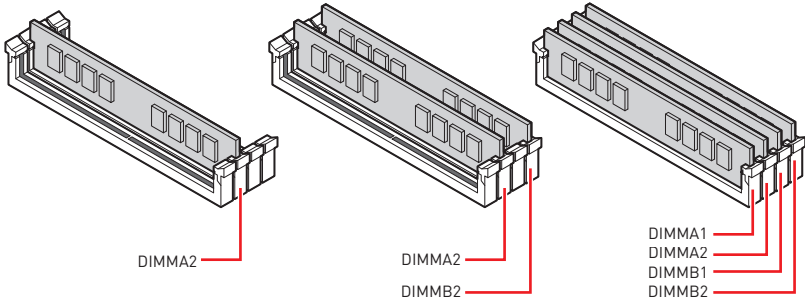
Wichtig

- Ziehen Sie das Netzkabel ab, bevor Sie die CPU ein- und ausbauen.
- Bitte bewahren Sie die CPU Schutzkappe nach der Installation des Prozessors auf. MSI wird RMA (Return Merchandise Authorization) Anfragen nur dann behandeln, wenn die Schutzklappe auf dem CPU-Sockel des Motherboards sitzt.
- Wenn Sie eine CPU einbauen, denken sie bitte daran, einen CPU-Kühler zu installieren. Ein CPU-Kühlkörper ist notwendig, um eine Überhitzung zu vermeiden und die Systemstabilität zu gewährleisten.
- Stellen Sie sicher, dass Ihr Kühlkörper eine feste Verbindung mit der CPU hergestellt hat, bevor Sie Ihr System starten.
- Überhitzung beschädigt die CPU und das System nachhaltig. Stellen Sie stets eine korrekte Funktionsweise des CPU Kühlers sicher, um die CPU vor Überhitzung zu schützen. Stellen Sie sicher, dass eine gleichmäßige Schicht thermischer Paste oder thermischen Tapes zwischen der CPU und dem Kühlkörper vorhanden ist, um die Wärmeableitung zu erhöhen.
- Schützen Sie den CPU-Sockel immer mit der Plastikabdeckung, wenn keine CPU installiert ist.
- Verwenden Sie bitte die Installationsanweisung des Kühlkörpers/Kühlers, falls Sie eine separate CPU oder einen Kühlkörper/ Kühler erworben haben.
- Dieses Motherboard wurde so entworfen, dass es Übertakten unterstützt. Stellen Sie jedoch bitte sicher, dass die betroffenen Komponenten mit den abweichenden Einstellungen während des Übertaktens zurecht kommen. Von jedem Versuch des Betriebes außerhalb der Produktspezifikationen kann nur abgeraten werden. MSI übernimmt keinerlei Garantie für die Schäden und Risiken, die aus einem unzulässigem Betrieb oder einem Betrieb außerhalb der Produktspezifikation resultieren.

DIMM Steckplätze



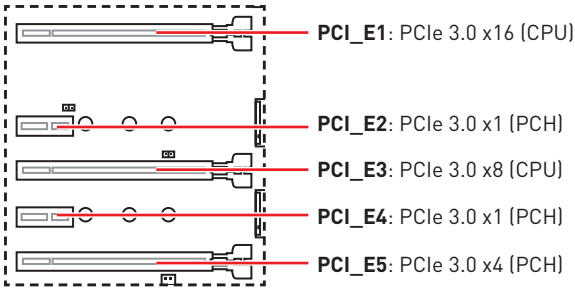
Speichermodul-Installationsempfehlung



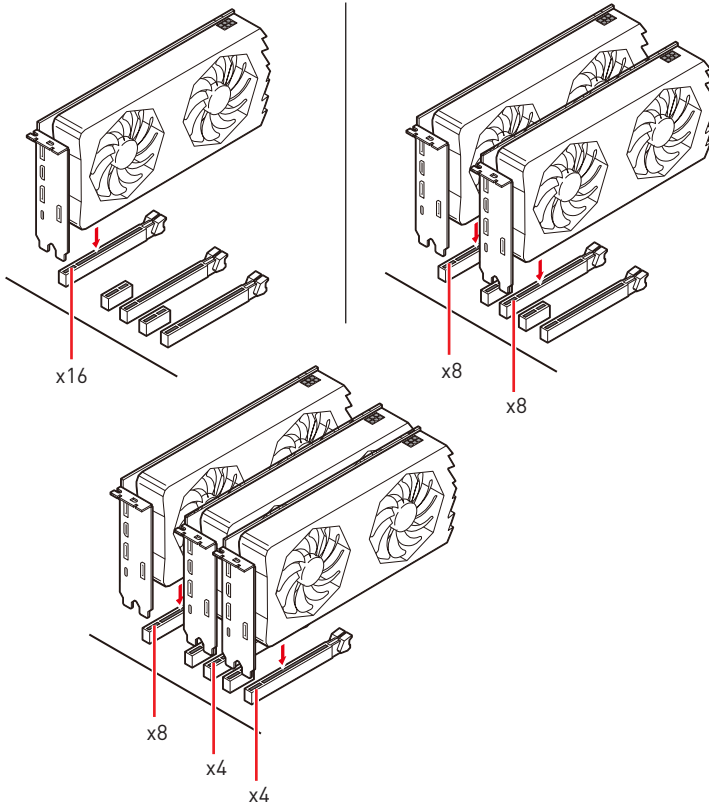
Wichtig

- Um einen sicheren Systemstart zu gewährleisten, bestücken Sie immer **DIMMA2** zuerst.
- Stellen Sie im Dual-Kanal-Modus bitte sicher, dass Sie Module des gleichen Typs und identischer Speicherdichte in den DIMM Slots unterschiedlicher Kanäle verwenden.
- Einige Speichermodule können beim Übertakten auf einer niedrigeren Frequenz arbeiten, als der festgelegte Wert - abhängig von dem SPD (Serial Presence Detect). Stellen Sie im BIOS-Setup mit **DRAM Frequency** die Speicherfrequenz ein, wenn Sie mit der festgelegten oder einer höheren Speicherfrequenz arbeiten möchten.
- Es wird empfohlen, ein effizienteres Speicherkühlsystem bei einer Vollbestückung des DIMMs oder beim Übertakten zu verwenden.
- Die Stabilität und Kompatibilität beim Übertakten der installierten Speichermodule sind abhängig von der installierten CPU und den installierten Geräten.
- Weitere Informationen zu kompatiblen Speichermodulen finden Sie unter: <http://www.msi.com>

PCI_E1~5: PCIe Erweiterungssteckplätze



Mehrere Grafikkarten Einbauempfehlung



Wichtig

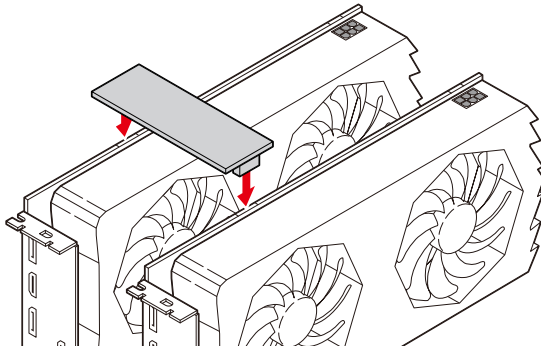
- Wenn Sie eine große und schwere Grafikkarte einbauen, benötigen Sie einen **Grafikkarten-Stabilisator (Graphics Card Bolster)** der das Gewicht trägt und eine Verformung des Steckplatzes vermeidet..
- Für die Installation einer einzelnen PCIe x16 Erweiterungskarte mit optimaler Leistung, empfehlen wir den **PCI_E1** Steckplatz zu verwenden.
- Achten Sie darauf, dass Sie den Strom abschalten und das Netzkabel aus der Steckdose herausziehen, bevor Sie eine Erweiterungskarte installieren oder entfernen. Lesen Sie bitte auch die Dokumentation der Erweiterungskarte, um notwendige zusätzliche Hardware oder Software-Änderungen zu überprüfen.

Einbau von SLI-Grafikkarten

Stellen Sie eine ausreichende Stromversorgung für SLI-Konfigurationen sicher. Die notwendigen Informationen können Sie aus dem Handbuch Ihrer Grafikkarte entnehmen.

Installation der SLI-Grafikkarten:

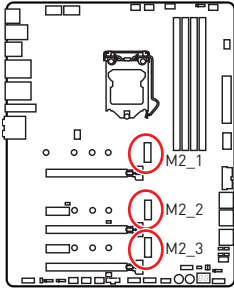
1. Schalten Sie Ihren Computer aus und ziehen Sie die Kabel ab. Installieren Sie Ihre Grafikkarten im **PCI_E1** und **PCI_E3** Steckplatz.
2. Verbinden Sie beide Karten mit einer **SLI-Brücke**.



3. Verbinden Sie alle PCIe-Stromanschlüsse der Grafikkarten.
4. Schließen Sie das Netzkabel wieder an und schalten Sie den Computer ein. Installieren Sie die Treiber und die Software, die im Lieferumfang Ihrer Grafikkarten enthalten sind.
5. Klicken Sie in Ihrem Windows-Desktop auf die rechte Maustaste, und wählen Sie **NVIDIA Control Panel** aus dem Menü aus. Klicken Sie auf **Configure SLI, Surround, PhysX** im linken Task-Fensterbereich und wählen Sie **Maximize 3D performance** im SLI-Konfigurationsmenü aus, und klicken Sie dann auf **Anwenden (Apply)**.



M2_1~3: M.2 Steckplätze (Key M)



Video-Demonstration

Eine anschauliche Darstellung zur Installation eines M.2 Moduls finden Sie im Video.

<http://youtu.be/JCTFABytrYA>

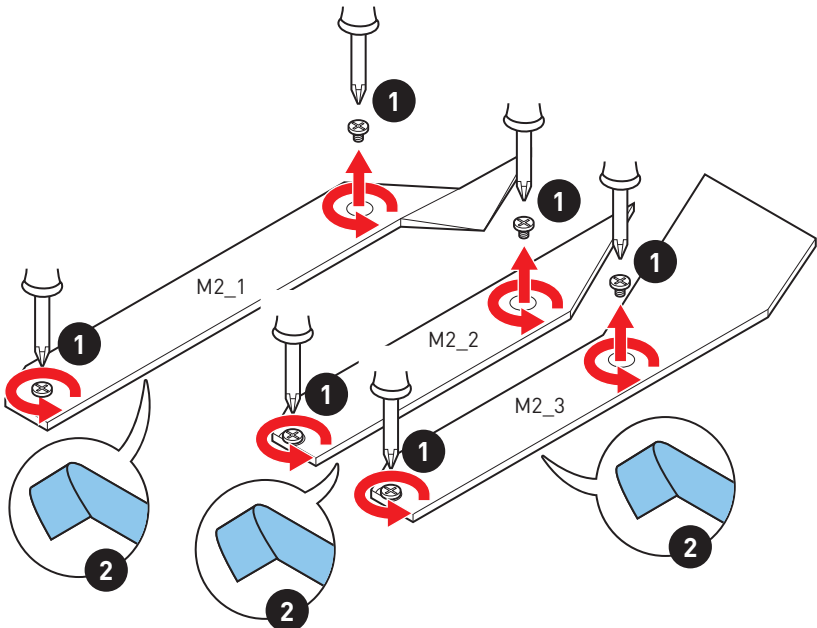


Wichtig

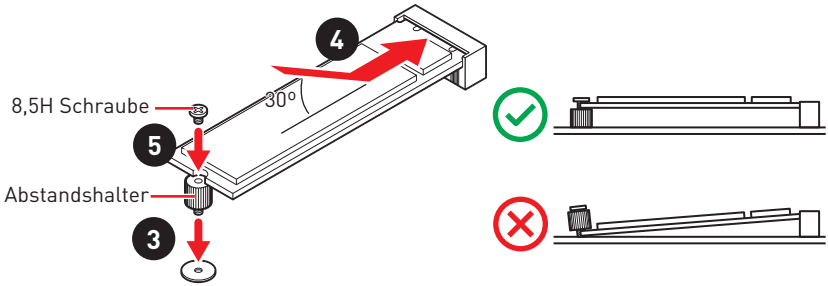
- Intel® RST unterstützt nur PCIe M.2 SSD mit UEFI ROM.
- Intel® Optane™ Technik unterstützt alle M.2 Steckplätze.

Installation eines M.2 Moduls

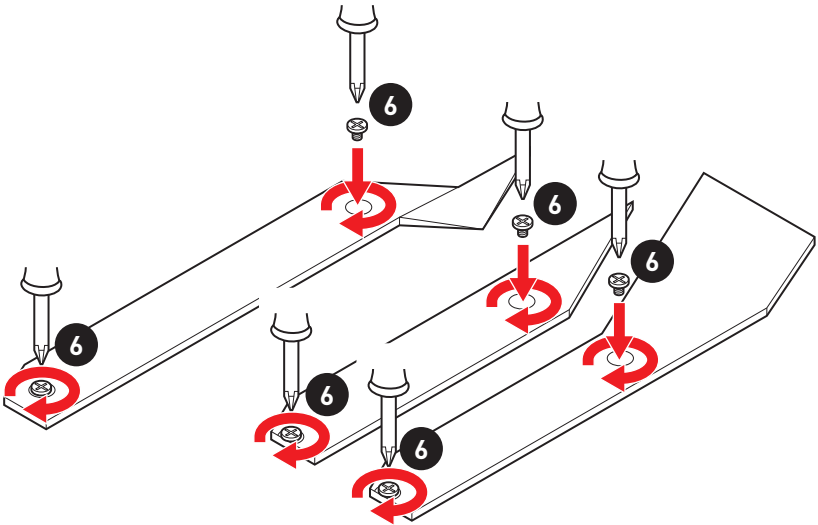
1. Lösen Sie die Schraube des M.2-SHIELD FROZR-Kühlkörpers.
2. Entfernen den M.2-SHIELD FROZR und entfernen Sie die Schutzfolie von den Wärmeleitpads.



3. Wählen Sie die Montageposition entsprechend Ihrer M.2 SSD Länge.
4. Stecken Sie eine M.2-SSD im 30-Grad-Winkel in den M.2-Steckplatz.
5. Schrauben Sie den M.2 SSD mit 8,5H M.2-Schraube.

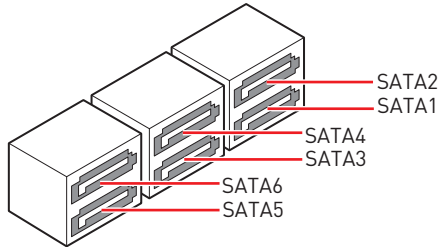
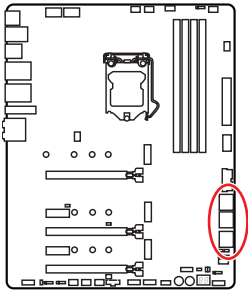


6. Setzen Sie den M.2 SHIELD FROZR-Kühlkörper wieder ein und sichern Sie ihn.



SATA1~6: SATA 6Gb/s Anschlüsse

Dieser Anschluss basiert auf der Hochgeschwindigkeitsschnittstelle SATA 6 Gb/s. Pro Anschluss kann ein SATA Gerät angeschlossen werden.



! Wichtig

- Knicken Sie das SATA-Kabel nicht in einem 90° Winkel. Datenverlust könnte die Folge sein.
- SATA-Kabel haben identische Stecker an beiden Enden. Es wird empfohlen den flachen Stecker auf dem Motherboard einstecken.
- SATA2 wird nicht zur Verfügung stehen, wenn Sie eine M.2 SATA SSD im M2_1 Steckplatz installieren.
- Die SATA5 und SATA6 Anschlüsse werden nicht zur Verfügung stehen, wenn Sie eine M.2 SSD im M2_2 Steckplatz installieren.

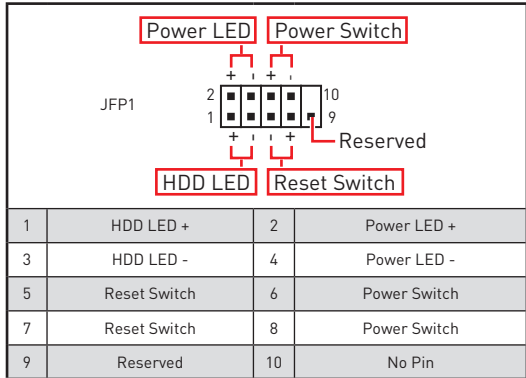
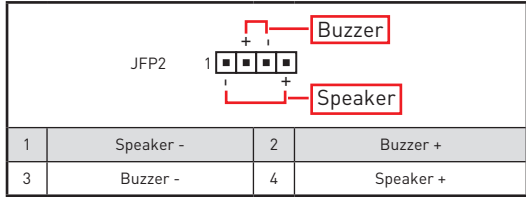
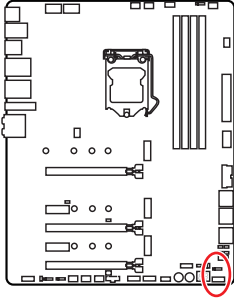
Tabelle der M.2- und SATA-Gerätekombination

Steckplatz	Verfügbare SATA Anschlüsse					
	PCIe	SATA	PCIe	SATA	PCIe	SATA
M2_1	PCIe	SATA	PCIe	SATA	PCIe	SATA
M2_2	PCIe	PCIe	SATA	SATA	—	—
M2_3	M2_3 Steckplatz unterstützt nur PCIe					
SATA1	✓	✓	✓	✓	✓	✓
SATA2	✓	—	✓	—	✓	—
SATA3	✓	✓	✓	✓	✓	✓
SATA4	✓	✓	✓	✓	✓	✓
SATA5	—	—	—	—	✓	✓
SATA6	—	—	—	—	✓	✓

(SATA: M.2 SATA SSD, PCIe: M.2 PCIe SSD, ✓: Verfügbar, —: Nicht verfügbar)

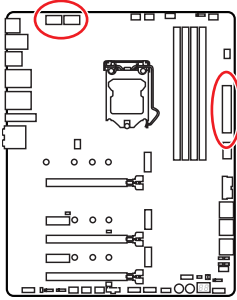
JFP1, JFP2: Frontpanel-Anschlüsse

Diese Anschlüsse verbinden die Schalter und LEDs des Frontpanels.



CPU_PWR1~2, ATX_PWR1: Stromanschlüsse

Mit diesen Anschlüssen verbinden Sie die ATX Stromstecker.



1	Ground	5	+12V
2	Ground	6	+12V
3	Ground	7	+12V
4	Ground	8	+12V

1	+3.3V	13	+3.3V
2	+3.3V	14	-12V
3	Ground	15	Ground
4	+5V	16	PS-ON#
5	Ground	17	Ground
6	+5V	18	Ground
7	Ground	19	Ground
8	PWR OK	20	Res
9	5VSB	21	+5V
10	+12V	22	+5V
11	+12V	23	+5V
12	+3.3V	24	Ground

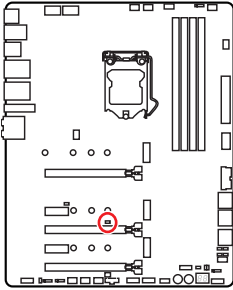


Wichtig

Stellen Sie sicher, dass alle Anschlüsse mit den richtigen Anschlüssen des Netzteils verbunden sind, um einen stabilen Betrieb der Hauptplatine sicherzustellen.

JBLK_U1: Basistakt Plus Anschluss

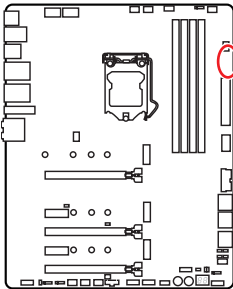
Mit diesen Anschlüssen können Sie die externen Tasten anschließen. Drücken Sie die Taste, die mit JBLK_U1 verbunden ist, um die CPU-Basistaktfrequenz zu erhöhen.



JBLK_U1 (Schließen Sie die Steckbrücke kurz, um die CPU-Basistaktfrequenz zu erhöhen)

Spannungsmesspunkte Lite (V-Check Points)

Die Spannungsmesspunkte werden verwendet, um die aktuelle Systemspannung zu messen. Ein Multimeter (nicht enthalten) wird für die Spannungsmessung benötigt. Um die Spannung zu messen, halten Sie die Messleitungen auf GND (Montageloch für Schraube) und einen V-Messpunkt. Weitere Informationen finden Sie in der Bedienungsanleitung Ihres Multimeters.



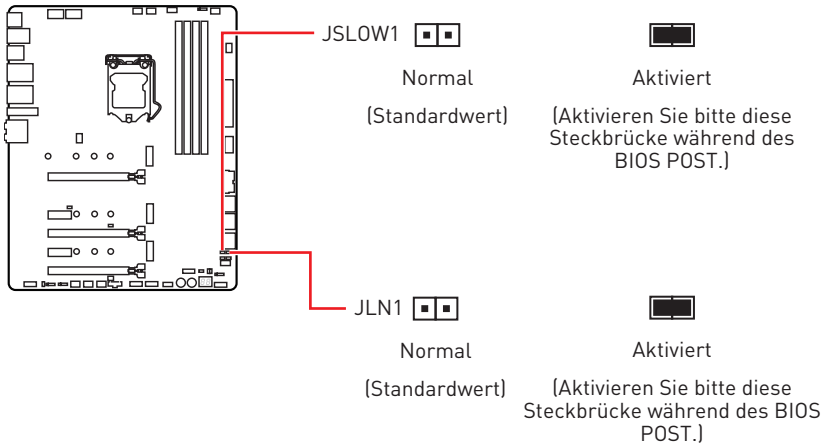
-  GND
-  VCCIO
-  VSA
-  DRAM
-  CPU

JSLOW1: Slow Mode Booting Steckbrücke

Die Steckbrücke wird für die LN2-Kühlungen verwendet. Der Slow Mode startet den Prozessor in einer stabilen Frequenz und verhindert dadurch einen Systemcrash.

JLN1: Steckbrücke für den Start bei niedrigen Temperaturen

Diese Steckbrücke wird beim Einsatz eines Flüssigstickstoff-Kühlsystems verwendet, um das System bei extrem niedrigen Temperaturen starten zu können. Setzen Sie die Steckbrücke auf „Aktiviert“ um die Erfolgsrate des Boot-Vorgangs zu erhöhen.

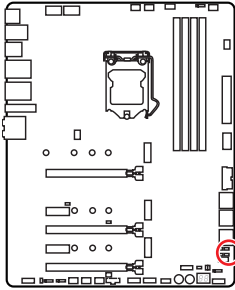


Wichtig

- Anwender übertakten bei extremer Kühlung auf eigenes Risiko. Die Übertaktungsergebnisse werden abhängig von der CPU-Variante variieren.
- Schalten Sie bitte nicht auf **Enabled** um, wenn das System ausgeschaltet ist, sonst lässt es sich nicht starten.

JOC_RT1: OC Retry Taste

Mit diesem Anschluss können Sie eine Taste anschließen. Wenn Sie die Taste drücken und halten, wird das System die OC-Elemente immer wieder ansprechen, bis es erfolgreich gebootet ist.



JOC_RT1 

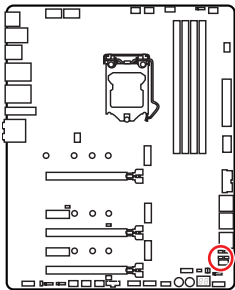
Normal
(Standardwert)



Das System wird die
OC-Einstellungen
wiederholen

JOC_FS1: OC Force Enter BIOS Taste

Mit diesem Anschluss können Sie eine Taste anschließen. Wenn Sie diese Taste drücken, wird das System in den BIOS gezwungen, ohne die OC_Fail- Meldung anzuzeigen.



JOC_FS1 

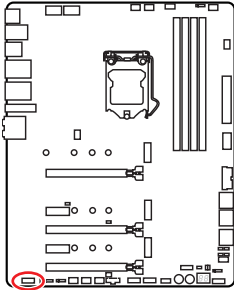
Normal
(Standardwert)



Der Wechsel
ins BIOS wird
erzwingen

JAUD1: Audioanschluss des Frontpanels

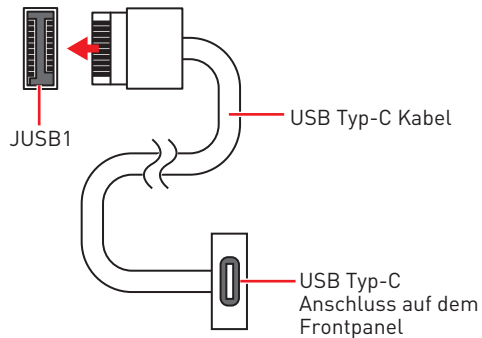
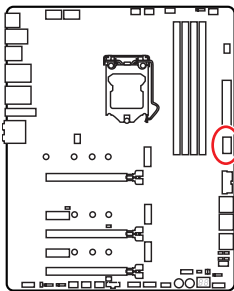
Dieser Anschluss ermöglicht den Anschluss von Audiobuchsen eines Frontpanels.



2		10	
1	MIC L	2	Ground
3	MIC R	4	NC
5	Head Phone R	6	MIC Detection
7	SENSE_SEND	8	No Pin
9	Head Phone L	10	Head Phone Detection

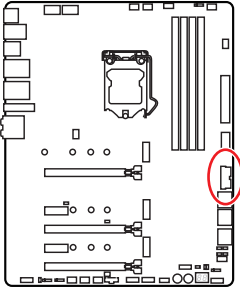
JUSB1: USB 3.2 Gen 2 Typ-C Anschluss

Mit diesem Anschluss können Sie den USB 3.2 Gen 2 Typ-C Anschluss auf dem Frontpanel verbinden. Der Anschluss verfügt über ein besonders sicheres Design. Wenn Sie das Kabel anschließen, müssen Sie es in der entsprechenden Ausrichtung verbinden.



JUSB2: USB 3.2 Gen 1 Anschluss

Mit diesem Anschluss können Sie die USB 3.2 Gen 1 Anschlüsse auf dem Frontpanel verbinden.



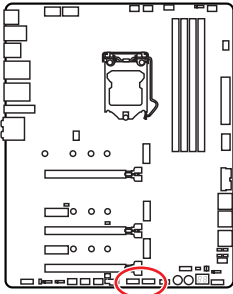
1	Power	11	USB2.0+
2	USB3_RX_DN	12	USB2.0-
3	USB3_RX_DP	13	Ground
4	Ground	14	USB3_TX_C_DP
5	USB3_TX_C_DN	15	USB3_TX_C_DN
6	USB3_TX_C_DP	16	Ground
7	Ground	17	USB3_RX_DP
8	USB2.0-	18	USB3_RX_DN
9	USB2.0+	19	Power
10	Ground	20	No Pin

Wichtig

Bitte beachten Sie, dass Sie die mit „Stromführende Leitung“ und „Erdleitung“ bezeichneten Pins korrekt verbinden müssen, ansonsten kann es zu Schäden kommen.

JUSB3~4: USB 2.0 Anschlüsse

Mit diesen Anschlüssen können Sie die USB 2.0 Anschlüsse auf dem Frontpanel verbinden.



1	VCC	2	VCC
3	USB0-	4	USB1-
5	USB0+	6	USB1+
7	Ground	8	Ground
9	No Pin	10	NC

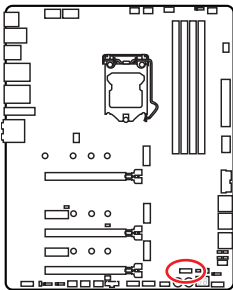


Wichtig

- Bitte beachten Sie, dass Sie die mit VCC (Stromführende Leitung) und Ground (Erdung) bezeichneten Pins korrekt verbinden müssen, ansonsten kann es zu Schäden kommen.
- Um ein iPad, iPhone und einen iPod über USB-Anschlüsse aufzuladen, installieren Sie bitte die MSI® DRAGON CENTER Software.

JTPM1: TPM Anschluss

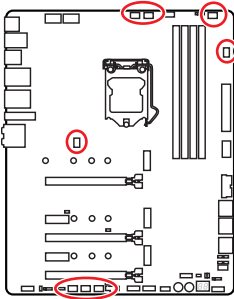
Dieser Anschluss wird für das TPM Modul (Trusted Platform Module) verwendet. Weitere Informationen über den Einsatz des optionalen TPM Modules entnehmen Sie bitte dem TPM Plattform Handbuch.



1	SPI Power	2	SPI Chip Select
3	Master In Slave Out (SPI Data)	4	Master In Slave In (SPI Data)
5	Reserved	6	SPI Clock
7	Ground	8	SPI Reset
9	Reserved	10	No Pin
11	Reserved	12	Interrupt Request

CPU_FAN1, PUMP_FAN1, SYS_FAN1~6: Stromanschlüsse für Lüfter

Diese Anschlüsse können im PWM (Pulse Width Modulation) Modus oder Spannungsmodus betrieben werden. Im PWM-Modus bieten die Lüfteranschlüsse konstante 12V Ausgang und regeln die Lüftergeschwindigkeit per Drehzahlsteuersignal. Im DC-Modus bestimmen die Lüfteranschlüsse die Lüftergeschwindigkeit durch Ändern der Spannung. Folgen Sie den folgenden Anweisungen, um den PWM- oder DC-Modus auszuwählen.



Lüfteranschlüsse des Standard-PWM-Modus



CPU_FAN1/PUMP_FAN1

Lüfteranschlüsse des Standard-DC-Modus



SYS_FAN1/SYS_FAN5

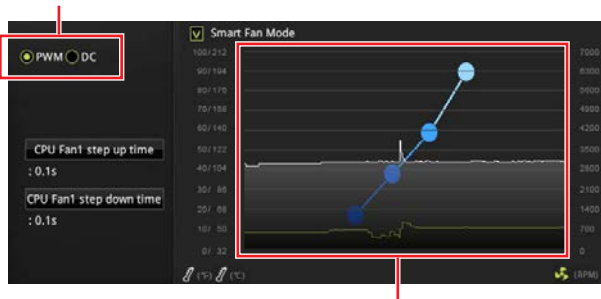


SYS_FAN2~4/SYS_FAN6

Umschalten des Lüfter-Modus und Anpassung der Lüfterdrehzahl

Sie können unter **BIOS > HARDWARE MONITOR** zwischen dem PWM- und DC-Modus umschalten und die Lüfterdrehzahl ändern.

Wählen Sie den **PWM-** oder **DC-**Modus aus



Die Gradientenpunkte des Lüfterverlaufs erlauben die Anpassung der Lüfterdrehzahl in Abhängigkeit von der CPU-Temperatur.



Wichtig

Überprüfen Sie die ordnungsgemäße Funktion der Lüfter nach dem Umschalten des PWM-/DC-Modus.

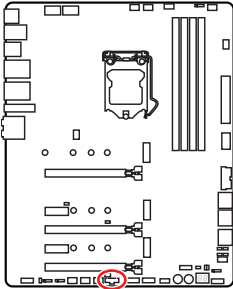
Pin-Belegung der Lüfteranschlüsse

Pin-Belegung des PWM-Modus			
1	Ground	2	+12V
3	Sense	4	Speed Control Signal

Pin-Belegung des DC-Modus			
1	Ground	2	Voltage Control
3	Sense	4	NC

JTBT1: Anschluss für Thunderbolt-Erweiterungskarte

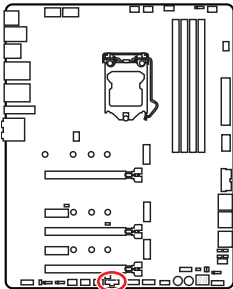
Mit diesem Anschluss können Sie eine Ein-/Ausgang der Thunderbolt-Erweiterungskarte anschließen.



1			
1	FORCE_PWR	2	SCI_EVENT
3	SLP_S3#	4	SLP_S5#
5	GND		

JRTD3: Intel RTD3 Anschluss

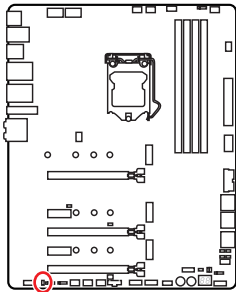
Mit diesem Anschluss können Sie den RTD3-Anschluss an die Thunderbolt-E / A-Zusatzkarte anschließen mit RTD3-Unterstützung anschließen.



1			
1	WAKE	2	PWR EN
3	GND		

JCI1: Gehäusekontaktanschluss

Dieser Anschluss wird mit einem Kontaktschalter verbunden.



Normal
(Standardwert)



Löse den
Gehäuseeingriff aus

Gehäusekontakt-Detektor verwenden

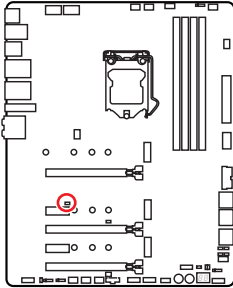
1. Schließen Sie den **JCI1**-Anschluss am Gehäusekontakt-Schalter/ Sensor am Gehäuse an.
2. Schließen Sie die Gehäuseabdeckung.
3. Gehen Sie zu **BIOS > SETTINGS > Security > Chassis Intrusion Configuration**.
4. Stellen Sie **Chassis Intrusion** auf **Enabled**.
5. Drücken Sie **F10** zum Speichern und Beenden und drücken Sie dann die **Enter**-Taste, um **Ja** auszuwählen.
6. Bei eingeschaltetem Computer wird eine Warnmeldung auf dem Bildschirm angezeigt, wenn die Gehäuseabdeckung wieder geöffnet wird.

Gehäusekontakt-Warnung zurücksetzen

1. Gehen Sie zu **BIOS > SETTINGS > Security > Chassis Intrusion Configuration**.
2. Stellen Sie **Chassis Intrusion** auf **Reset**.
3. Drücken Sie **F10** zum Speichern und Beenden und drücken Sie dann die **Enter**-Taste, um **Ja** auszuwählen.

JBAT1: Clear CMOS Steckbrücke (Reset BIOS)

Der Onboard CMOS Speicher (RAM) wird durch eine externe Spannungsversorgung durch eine Batterie auf dem Motherboard versorgt, um die Daten der Systemkonfiguration zu speichern. Wenn Sie die Systemkonfiguration löschen wollen, müssen Sie die Steckbrücke für kurze Zeit umsetzen.



Daten
beibehalten
(Standardwert)



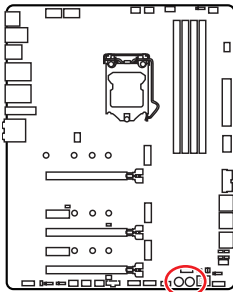
CMOS-Daten
löschen/ Reset
des BIOS

Rücksetzen des BIOS auf Standardwerte

1. Schalten Sie den Computer ab und ziehen Sie das Netzkabel ab.
2. Verwenden Sie eine Steckbrücke, um **JBAT1** für 5-10 Sekunden kurzzuschließen.
3. Entfernen Sie die Steckbrücke von **JBAT1**.
4. Stecken Sie das Kabel Ihres Computers in die Steckdose hinein und schalten Sie den Computer ein.

POWER1, RESET1: Power-Taste, Reset-Taste

Mit dieser POWER-Taste können Sie den Computer einschalten. Mit der RESET-Taste können Sie den Computer zurücksetzen.



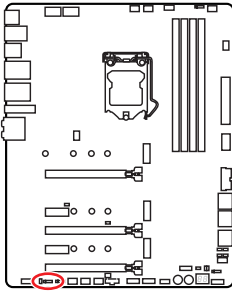
Reset-Taste



Power-Taste

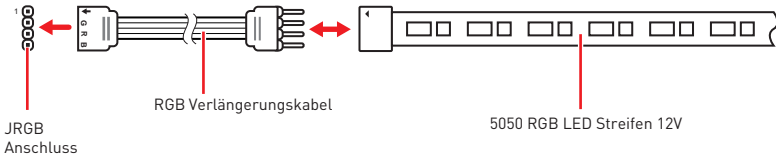
JRGB1: RGB LED Anschluss

Mit dem JRGB Anschluss können Sie den 5050 RGB-LED-Streifen (12 V) anschließen.

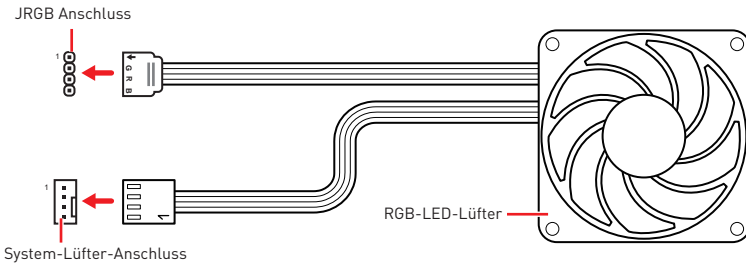


1			
1	+12V	2	G
3	R	4	B

RGB-LED-Streifen anschließen



RGB-LED-Lüfteranschluss

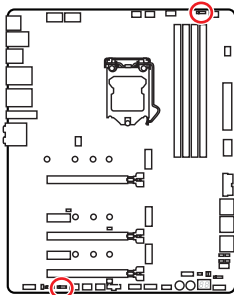


Wichtig

- Der JRGB Anschluss unterstützt bis zu 2 Metern 5050 RGB LED-Streifen (12V/G/R/B) mit der maximalen Leistung von 3 A (12 V).
- Schalten Sie die Stromversorgung aus und ziehen Sie das Netzkabel ab, bevor Sie die RGB-LED-Streifen ein- und ausbauen.
- Bitte verwenden Sie die MSI-Software zur Steuerung des LED-Leuchtstreifens.

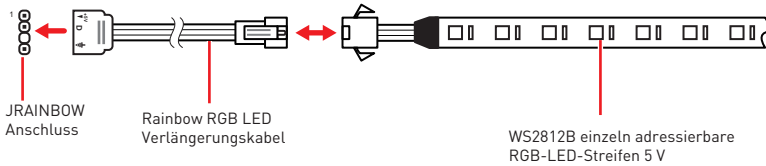
JRAINBOW1~2: Adressierbare RGB LED Anschlüsse

JRAINBOW ermöglicht den Anschluss von WS2812B einzeln adressierbaren RGB-LED-Streifen (5 V).

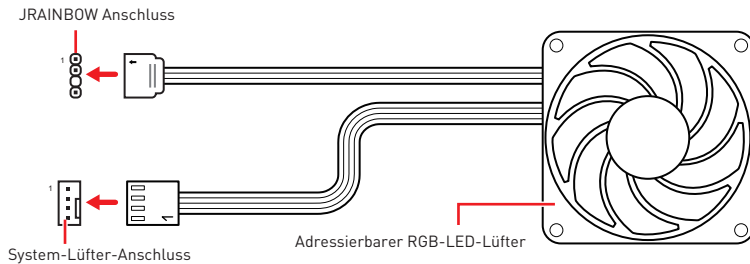


JRAINBOW1~2			
1	+5V	2	Data
3	No Pin	4	Ground

Adressierbarer RGB-LED-Streifen anschließen



Adressierbarer RGB-LED-Lüfteranschluss



! ACHTUNG

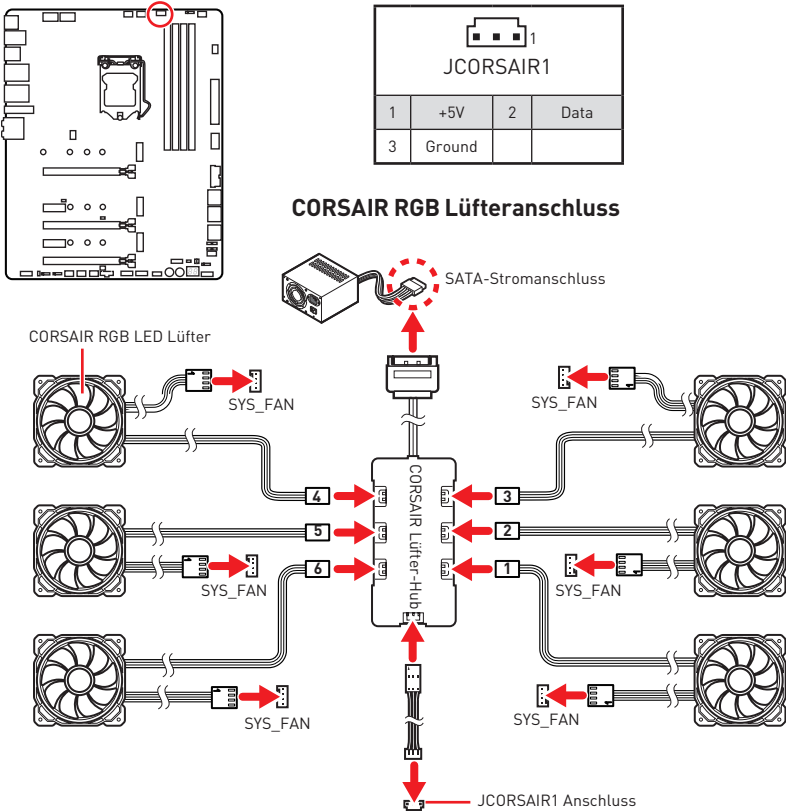
Schließen Sie nur passende LED-Streifen an. Der JRGB- und der JRAINBOW-Anschluss verfügen über unterschiedliche Spannungen. Der Anschluss eines 5 V LED-Streifens an den JRGB-Anschluss führt zu einer Beschädigung des LED-Streifens.

! Wichtig

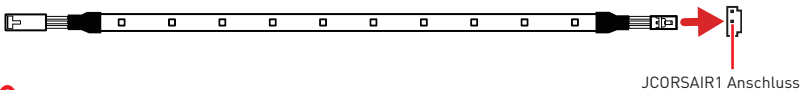
- Der JRAINBOW Anschluss unterstützt bis zu 75 LEDs WS2812B einzeln adressierbare RGB-LED-Streifen (5 V/ Daten/ Erdung) mit der maximalen Leistung von 3 A (5 V). Bei einer Helligkeit von 20 Prozent unterstützt dieser Anschluss bis zu 200 LEDs.
- Schalten Sie die Stromversorgung aus und ziehen Sie das Netzkabel ab, bevor Sie die RGB-LED-Streifen ein- und ausbauen.
- Bitte verwenden Sie die MSI-Software zur Steuerung des LED-Leuchstreifens.

JCORSAIR1: CORSAIR Anschluss

Mit dem JCORSAIR1 Anschluss können Sie CORSAIR einzeln adressierbare RGB-LED-Streifen (5 V) oder CORSAIR RGB LED Lüfter mit dem CORSAIR-Lüfter-Hub verbinden. Nach ordnungsgemäßigem Anschluss können Sie die MSI-Software zur Steuerung der CORSAIR RGB LED-Streifen und Lüfter verwenden.



CORSAIR Lighting Node PRO Streifen



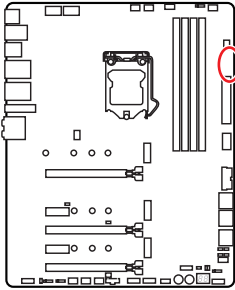
Wichtig

- Bitte verbinden Sie die Lüfter mit dem CORSAIR Lüfter-Hub in der Reihenfolge 1 > 2 > 3 > 4 > 5 > 6. Falls Sie den Lüfter in einer falschen Reihenfolge verbinden, wird die Kommunikation gestört und die RGB-LEDs funktionieren nicht.
- Die Anzahl der RGB-LED-Lüfter oder der RGB LED Lighting Node PRO Streifen kann je nach Modell unterschiedlich sein. Um mehr Informationen zu erfahren, lesen Sie bitte die Spezifikation des Motherboards.
- CORSAIR RGB LED Lüfter und CORSAIR Lighting Node PRO Streifen können nicht gleichzeitig genutzt werden.

Onboard LEDs

EZ Debug LED

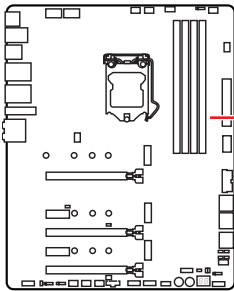
Diese LEDs zeigen den Debug-Status des Motherboards an.



- CPU** - CPU wird nicht erkannt oder ist fehlerhaft.
- DRAM** - DRAM wird nicht erkannt oder ist fehlerhaft.
- VGA** - GPU wird nicht erkannt oder ist fehlerhaft.
- BOOT** - Boot-Gerät wird nicht erkannt oder ist fehlerhaft.

XMP LED

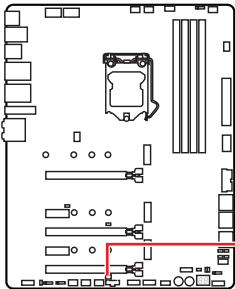
Diese LED zeigt an, der XMP (Extreme Memory Profile) Modus aktiviert ist.



XMP LED

JPWRLED1: LED Stromzufuhr

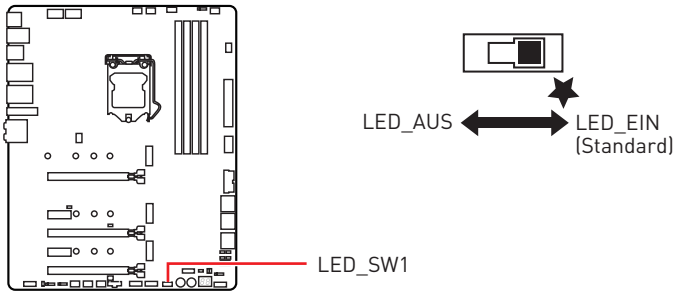
Dieser Anschluss ermöglicht es dem Fachhändler die integrierten LED-Lichteffekte zu zeigen.



JPWRLED1 - LED Stromzufuhr

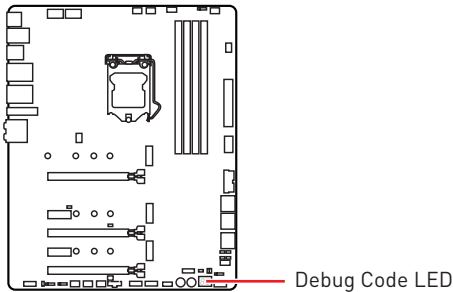
LED_SW1: EZ LED-Steuerung

Mit diesem Schalter werden alle LEDs des Motherboards ein- und ausgeschaltet.



Debug Code LED

Die Debug-Code-LED-Anzeige zeigt den Fortschritt und das Fehlercode während und nach dem POST-Vorgang an. Einzelheiten entnehmen Sie bitte der Debug-Code LED-Tabelle.



Hexadezimalzeichen

Hexadezimal	0	1	2	3	4	5	6	7	8	9	A	B	C	D	E	F
Debug-Code LED-Anzeige	0	1	2	3	4	5	6	7	8	9	A	b	C	d	E	F

Boot-Phasen

Sicherheit (SEC) – Low-Level-Initialisierung beim Start

Pre-EFI-Initialisierung (PEI) – Speicher-Initialisierung

Ausführungsumgebung des Treibers (DXE) – Primäre Hardware-Initialisierung

Auswahl des Boot-Gerätes (BDS) – Systemeinstellungen, Pre-OS Benutzer-Interface & Auswahl eines Boot-Gerätes (CD/DVD, HDD, USB, Netzwerk, Gehäuse, ...)

Debug-Code-LED-Tabelle

SEC-Fortschritt-Codes

01	Computerstart. Reset Typ-Erkennung (Soft/Hard-Reset)
02	AP-Initialisierung vor dem Mikrocode-Ladevorgang
03	System-Agent-Initialisierung vor dem Mikrocode- Ladevorgang
04	PCH-Initialisierung vor dem Mikrocode- Ladevorgang
06	Mikrocode-Ladevorgang
07	Nach der Mikrocode-Ladung initialisiert die AP
08	AP-Initialisierung nach dem Mikrocode- Ladevorgang
09	PCH-Initialisierung nach dem Mikrocode- Ladevorgang
0B	Cache-Initialisierung

SEC-Fehler-Codes

0C - 0D	Reserviert für zukünftige AMI SEC Fehler-Codes
0E	Der Microcode wurde nicht gefunden
0F	Der Microcode wurde nicht geladen

PEI-Fortschritt-Codes

10	PEI-Kern wird gestartet
11	Pre-Memory CPU-Initialisierung wird gestartet
12 - 14	Pre-Memory CPU-Initialisierung (CPU-spezifisch)
15	Pre-Memory System-Agent-Initialisierung wird gestartet
16 - 18	Pre-Memory System-Agent-Initialisierung (System-Agent spezifisch)
19	Pre-Memory PCH- Initialisierung wird gestartet
1A - 1C	Pre-Memory PCH- Initialisierung (PCH-Modul spezifisch)
2B	Speicher-Initialisierung. Serial Presence Detect (SPD) liest die Daten aus
2C	Speicher-Initialisierung. Speicher -Erfassung
2D	Speicher-Initialisierung. Programmierung des Speicher-Timings
2E	Speicher-Initialisierung. Konfiguration des Speichers
2F	Speicher-Initialisierung (sonstige)
31	Speicher ist installiert
32	CPU Post-Memory-Initialisierung wird gestartet
33	CPU Post-Memory-Initialisierung. Cache-Initialisierung
34	CPU Post-Memory-Initialisierung. Application Processor (AP) Initialisierung
35	CPU Post-Memory-Initialisierung. Boot Strap Prozessorauswahl (BSP)
36	CPU Post-Memory-Initialisierung. System Management Mode (SMM) Initialisierung
37	Post-Memory System-Agent-Initialisierung wird gestartet
38 - 3A	Post-Speicher-System-Agent Initialisierung (System Agent spezifisch)
3B	Post-Memory PCH-Initialisierung wird gestartet
3C - 3E	Post-Memory PCH-Initialisierung (PCH-Modul spezifisch)
4F	DXE IPL wird gestartet

PEI-Fehler-Codes

50	Die Speicher-Initialisierung ist fehlgeschlagen. Ungültiger Speichertyp oder nicht kompatible Speichergeschwindigkeit
51	Die Speicher-Initialisierung ist fehlgeschlagen. Die SPD-Lesung ist fehlgeschlagen
52	Die Speicher-Initialisierung ist fehlgeschlagen. Ungültige Speichergröße oder nicht abgestimmte Speichermodule
53	Die Speicher-Initialisierung ist fehlgeschlagen. Kein nutzbarer Speicher erkannt
54	Unspezifizierte Speicher-Initialisierungsfehler
55	Speicher ist nicht installiert
56	Ungültiger CPU-Typ oder Geschwindigkeit
57	Inkompatibilität der CPU
58	Der CPU-Selbsttest ist fehlgeschlagen oder es liegt ein CPU-Cache-Fehler vor
59	CPU Micro-Code wurde nicht gefunden oder das Update des Micro-Codes ist fehlgeschlagen
5A	Fehler in interner CPU
5B	Reset-PPI ist nicht verfügbar
5C - 5F	Reserviert für zukünftige AMI-Fehlercodes

DXE-Fortschritt-Codes

60	DXE Core wird gestartet
61	NVRAM-Initialisierung
62	Installation des PCH Runtime Services
63	CPU DXE-Initialisierung wird gestartet
64 - 67	CPU DXE-Initialisierung (CPU modulspezifisch)
68	PCI Host Bridge Initialisierung
69	System Agent DXE Initialisierung wird gestartet
6A	System Agent DXE SMM Initialisierung wird gestartet
6B - 6F	System Agent DXE Initialisierung (modulspezifischer System Agent)
70	PCH DXE Initialisierung wird gestartet
71	PCH DXE SMM Initialisierung wird gestartet
72	PCH-Geräte Initialisierung
73 - 77	PCH DXE Initialisierung (PCH modulspezifisch)
78	ACPI Modul Initialisierung
79	CSM Initialisierung
7A - 7F	Reserviert für zukünftige AMI-DXE-Codes
90	Boot Device Selection (BDS) Phase wird gestartet
91	Treiber-Verbindung wird gestartet
92	PCI Bus Initialisierung wird gestartet
93	PCI Bus Hot Plug Controller Initialisierung
94	PCI Bus Enumeration 32
95	PCI Bus Request Resources
96	PCI Bus Assign Resources

97	Verbindung der Konsolen-Ausgangsgeräte
98	Verbindung der Konsolen-Eingangsgeräte
99	Super-IO-Initialisierung
9A	USB-Initialisierung wird gestartet
9B	USB-Rücksetzung
9C	USB-Erkennung
9D	USB-Aktivierung
9E -9F	Reserviert für zukünftige AMI-Codes
A0	IDE Initialisierung wird gestartet
A1	IDE-Rücksetzung
A2	IDE-Erkennung
A3	IDE-Aktivierung
A4	SCSI Initialisierung wird gestartet
A5	SCSI-Rücksetzung
A6	SCSI-Erkennung
A7	SCSI-Aktivierung
A8	Bereite Kennwortüberprüfung vor
A9	Beginn der Einstellung
AB	Warten auf Eingabe
AD	Bereit für Boot-Event
AE	Legacy Boot Event
AF	Beendet das Boot-Services-Event
B0	Laufzeit stellt virtuelle MAP Start-Adresse ein
B1	Laufzeit stellt virtuelle MAP End-Adresse ein
B2	Legacy Option ROM Initialisierung
B3	System-Rücksetzung
B4	USB Hot-Plug
B5	PCI-Bus Hot-Plug
B6	NVRAM aufräumen
B7	Setzt die Konfiguration zurück (setzt die NVRAM-Einstellungen zurück)
B8 - BF	Reserviert für zukünftige AMI-Codes

DXE-Fehler-Codes

D0	CPU-Initialisierungs-Fehler
D1	System-Agent-Initialisierungs-Fehler
D2	PCH-Initialisierungs-Fehler
D3	Einige der Architektur-Protokolle sind nicht verfügbar
D4	PCI-Ressourcenzuordnungsfehler. Keine ausreichenden Ressourcen verfügbar.
D5	Kein Platz für Legacy-Option-ROM

D6	Kein Konsolen-Ausgangsgerät gefunden
D7	Kein Konsolen-Eingangsgeräte gefunden
D8	Ungültiges Passwort
D9	Fehler beim Laden der Boot-Option (Load-Image gibt Fehler zurück)
DA	Boot Option ist fehlgeschlagen (Start-Image gibt Fehler zurück)
DB	Flash-Update ist fehlgeschlagen
DC	Das Reset-Protokoll steht nicht zur Verfügung

S3 Wiederaufnahme Fortschritt-Codess

E0	S3-Wiederaufnahmen wird gestartet (S3-Wiederaufnahmen-PPI wird von DXE IPL aufgerufen)
E1	Führt das S3-Boot-Skript aus
E2	Veröffentlicht Video neu
E3	OS S3 Ruhezustand
E4 - E7	Reserviert für zukünftige AMI-Fortschrittscodes

S3 Wiederaufnahme Fehler-Codes

E8	Das S3-Wiederaufnahmen ist fehlgeschlagen
E9	Das S3-Wiederaufnahmen PPI wurde nicht gefunden
EA	Boot-Skript-Fehler bei der S3-Wiederaufnahmen
EB	S3 OS Ruhezustand-Fehler
EC - EF	Reserviert für zukünftige AMI-Fehlercodes

Wiederherstellung Fortschritt-Codes

F0	Wiederherstellung ausgelöst durch die Firmware (Auto recovery)
F1	Wiederherstellung ausgelöst durch den Benutzer (Forced recovery)
F2	Der Wiederherstellungsprozess wurde gestartet
F3	Das Image der Wiederherstellung-Firmware wurde gefunden
F4	Das Image der Wiederherstellung-Firmware wurde geladen
F5 - F7	Reserviert für zukünftige AMI-Fortschrittscodes

Wiederherstellung Fehler-Codes

F8	Wiederherstellung-PPI ist nicht verfügbar
F9	Wiederherstellung-Kapsel ist nicht gefunden
FA	Ungültige Wiederherstellung-Kapsel
FB - FF	Reserviert für zukünftige AMI-Fehlercodes

ACPI Status-Codes

Nach dem Start erscheinen die folgende Codes und versetzen das Betriebssystem in den ACPI-Modus.

01	Das System geht in den Ruhezustand S1
02	Das System geht in den Ruhezustand S2
03	Das System geht in den Ruhezustand S3
04	Das System geht in den Ruhezustand S4
05	Das System geht in den Ruhezustand S5
10	Das System beendet den Ruhezustand S1
20	Das System beendet den Ruhezustand S2
30	Das System beendet den Ruhezustand S3
40	Das System beendet den Ruhezustand S4
AC	Das System hat auf den ACPI-Modus umgestellt. Interrupt-Controller ist im PIC-Modus.
AA	Das System hat auf den ACPI-Modus umgestellt. Interrupt-Controller ist im APIC-Modus.

CPU-Temperatur

00 - 99	Zeigt die aktuelle CPU Temperatur sobald das System vollständig in das OS geladen wurde.
---------	--

Installation von OS, Treibern und Utilities

Laden Sie die neuesten Treiber und Dienstprogramme von www.msi.com herunter und aktualisieren Sie sie.

Installation von Windows® 10

1. Schalten Sie den Computer ein.
2. Legen Sie die Windows® 10 Disk oder das USB-Flashlaufwerk in das optische Laufwerk.
3. Drücken Sie die Taste **Restart** auf dem Computergehäuse.
4. Drücken Sie die **F11**-Taste während des POST-Vorgangs (Power-On Self Test), um das Bootmenu zu öffnen.
5. Wählen Sie das optische Laufwerk aus dem Bootmenu.
6. Wenn eine entsprechende Meldung **Press any key to boot from CD or DVD...** angezeigt wird, drücken Sie eine beliebige Taste.
7. Folgen Sie den Anweisungen auf dem Bildschirm, um das Dienstprogramm „Windows® 10“ zu installieren.

Installation von Treibern

1. Starten Sie Ihren Computer mit Windows® 10.
2. Legen Sie das MSI® USB-Laufwerk am USB-Anschluss.
3. Klicken Sie auf die Pop-up-Meldung **Wählen Sie eine Aktion für Wechseldatenträger aus**, und wählen Sie **DVDSetup.exe starten** aus, um den Installer zu öffnen. Wenn Sie die AutoPlay-Funktionen in der Windows-Systemsteuerung ausschalten, können Sie das Programm **DVDSetup.exe** im Hauptverzeichnis des MSI USB-Laufwerk auch manuell ausführen.
4. Der Installer wird findet eine Liste aller benötigten Treiber auf der **Treiber/Software**-Registerkarte.
5. Klicken Sie auf **Install** in der rechten unteren Ecke des Fensters.
6. Die Treiber-Installation läuft. Wenn die Installation abgeschlossen ist, werden Sie dazu aufgefordert, den Computer neu zu starten.
7. Klicken Sie zum Beenden auf **OK**.
8. Starten Sie Ihren Computer neu.

Installation von Utilities

Bevor Sie Anwendungen installieren, müssen Sie die Treiber-Installation vollständig beendet haben.

1. Öffnen Sie den Installer wie beschrieben.
2. Klicken Sie auf **Utilities**.
3. Wählen Sie die Dienstprogramme, die installiert werden soll.
4. Klicken Sie die Taste **Install** in der rechten unteren Ecke des Fensters.
5. Die Utilities-Installation ist im Gange. Wenn die Installation abgeschlossen ist, werden Sie dazu aufgefordert, den Computer neu zu starten.
6. Klicken Sie zum Beenden auf **OK**.
7. Starten Sie Ihren Computer neu.

UEFI BIOS

MSI UEFI BIOS is compatible with UEFI (Unified Extensible Firmware Interface) architecture. The UEFI BIOS firmware infrastructure has many new functions and advantages that traditional BIOS cannot achieve. It will fully support future PCs and devices that comply with UEFI firmware architecture.



Wichtig

Der Begriff „BIOS“ bezieht sich in diesem Benutzerhandbuch auf das UEFI-BIOS, sofern nicht anders angegeben.

Vorteile von UEFI

- Schnelles Booten - UEFI kann das Betriebssystem direkt booten und den BIOS-Selbsttestprozess speichern. Außerdem entfällt die Zeit, um während des POST in den CSM-Modus zu wechseln.
- Unterstützt Festplattenpartitionen, die größer als 2 TB sind.
- Unterstützt mehr als 4 primäre Partitionen mit einer GUID-Partitionstabelle (GPT).
- Unterstützt eine unbegrenzte Anzahl an Partitionen.
- Unterstützt den vollen Funktionsumfang neuer Geräte – neue Geräte bieten möglicherweise keine Abwärtskompatibilität.
- Unterstützt sicheren Start – UEFI kann die Gültigkeit des Betriebssystems überprüfen, um sicherzustellen, dass keine Malware den Startvorgang beeinträchtigt.

Inkompatible UEFI-Fälle

- **32-Bit-Windows-Betriebssystem** - Dieses Motherboard unterstützt nur das 64-Bit-Windows 10-Betriebssystem.
- **Ältere Grafikkarten** - Das System erkennt Ihre Grafikkarte. Bei Erkennung einer nicht kompatiblen Grafikkarte wird die Warnmeldung **Auf dieser Grafikkarte wurde keine GOP-Unterstützung (Graphics Output Protocol) erkannt** erkannt.

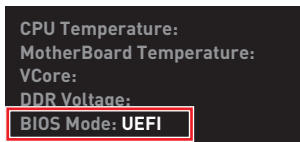


Wichtig

Wir empfehlen Ihnen, eine GOP / UEFI-kompatible Grafikkarte zu nutzen oder eine CPU mit integrierter Grafikeinheit zu verwenden, um eine normale Funktion des Systems zu gewährleisten.

Wie überprüfe ich den BIOS-Modus?

Suchen Sie nach dem Aufrufen des BIOS den BIOS-Modus oben auf dem Bildschirm.



UEFI-Startmodus

BIOS Setup

Die Standardeinstellungen bieten die optimale Leistung für die Systemstabilität unter Normalbedingungen. Sie sollten **immer die Standardeinstellungen behalten**, um mögliche Schäden des Systems oder Boot-Fehler zu vermeiden, außer Sie besitzen ausreichende BIOS Kenntnisse.



Wichtig

- *BIOS Funktionen werden für eine bessere Systemleistung kontinuierlich aktualisiert. Deswegen können die Beschreibungen leicht von der letzten Fassung des BIOS abweichen und sollten demnach nur als Anhaltspunkte dienen. Für eine Beschreibung der BIOS Funktionen rufen Sie die **HELP** Informationstafel aus.*
- *Die Bilder in diesem Kapitel stellen lediglich Referenzen dar und können von dem von Ihnen erworbenen Produkt abweichen.*
- *Die BIOS-Funktion variiert je nach dem Prozessor.*

Öffnen des BIOS Setups

Während des BOOT-Vorgangs drücken Sie die Taste **ENTF**, wenn die Meldung **Press DEL key to enter Setup Menu, F11 to enter Boot Menu** erscheint.

Funktionstasten

- F1:** Allgemeine Hilfe
- F2:** Hinzufügen/Entfernen eines Favoritenpunkts
- F3:** Öffnen des Favoriten Menüs
- F4:** Öffnen des Menüs CPU-Spezifikationen
- F5:** Öffnen des Memory-Z Menüs
- F6:** Laden der ursprünglichen Setup-Standardwerte
- F7:** Wechselt zwischen dem Erweiterten-Modus und EZ-Modus
- F8:** OC-Profil wird vom USB-Stick geladen
- F9:** OC-Profil wird auf einem USB-Stick gespeichert
- F10:** Speichern oder Zurücksetzen der Änderungen*
- F12:** Macht einen Screenshot und speichert auf einen FAT/FAT32-USB-Laufwerk.
- Strg+F:** Öffnet die Suchseite

* Beim Drücken der F10 Taste wird das Fenster zum Speichern der Einstellungen angezeigt. Wählen Sie **Yes**, um die Wahl zu bestätigen, oder **No**, um die derzeitige Einstellung beizubehalten.

Reset des BIOS

Sie können die Werkseinstellung wieder herstellen, um bestimmte Probleme zu lösen. Es gibt verschiedene Möglichkeiten, um das BIOS zurückzusetzen:

- Öffnen Sie das BIOS und drücken Sie **F6**, um optimierten Einstellungen zu laden.
- Schließen Sie die **Clear CMOS Steckbrücke** an das Motherboard an.
- Drücken Sie die **Clear CMOS Taste** auf der Rückseite E/A des Panels.



Bitte lesen Sie für Informationen zum BIOS-Reset im Bereich „**Clear CMOS Steckbrücke/Taste**“ nach.

Aktualisierung des BIOS

Aktualisierung des BIOS mit dem M-FLASH-Programm

Vorbereitung:

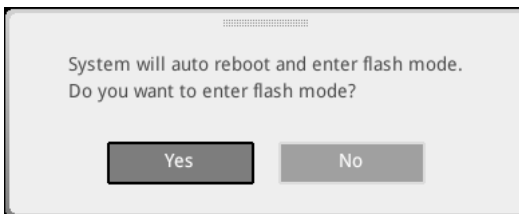
Laden Sie bitte die neueste BIOS Version, die dem Motherboard-Modell entspricht, von der offiziellen MSI Website herunter und speichern Sie die BIOS-Datei auf USB-Flash-Laufwerk.

BIOS-Aktualisierungsschritte:

1. Schließen das USB-Flashlaufwerk mit der BIOS-Datei an den Computer.
2. Bitte folgen Sie den nachfolgenden Schritten, um in den Blitz-Modus zu schalten.
 - Beim Neustart drücken Sie während des POST-Vorgangs die Taste **Ctrl + F5** und klicken Sie auf **Yes (Ja)**, um das System neu zu starten.

Press <Ctrl+F5> to activate M-Flash for BIOS update.

- Beim Neustart drücken Sie während des POST-Vorgangs die Taste **Del (Entf)** während des POST-Vorgangs die Taste. Klicken Sie die Taste **M-FLASH** und klicken Sie auf **Yes (Ja)**, um das System neu zu starten.



3. Wählen Sie die BIOS-Datei zur Durchführung des BIOS-Aktualisierungsprozesses aus.
4. Klicken Sie auf **Ja**, wenn Sie dazu aufgefordert werden, um die Wiederherstellung des BIOS zu starten.
5. Nachdem das Flashen des BIOS vollständig ist, startet das System automatisch neu.

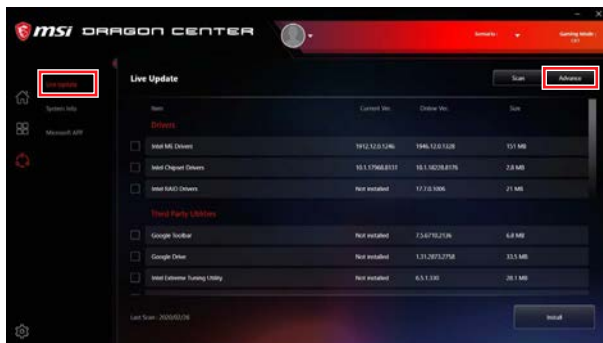
Aktualisierung des BIOS mit MSI DRAGON CENTER

Vorbereitung:

Stellen Sie sicher, dass zuvor die LAN-Treiber installiert wurden und eine Internetverbindung eingerichtet ist.

Schritte zur Aktualisierung des BIOS:

1. Installieren und starten Sie „MSI DRAGON CENTER“ und gehen Sie zur **Support**-Seite.
2. Wählen Sie **Live Update** aus und klicken Sie auf die Schaltfläche **Advance**.



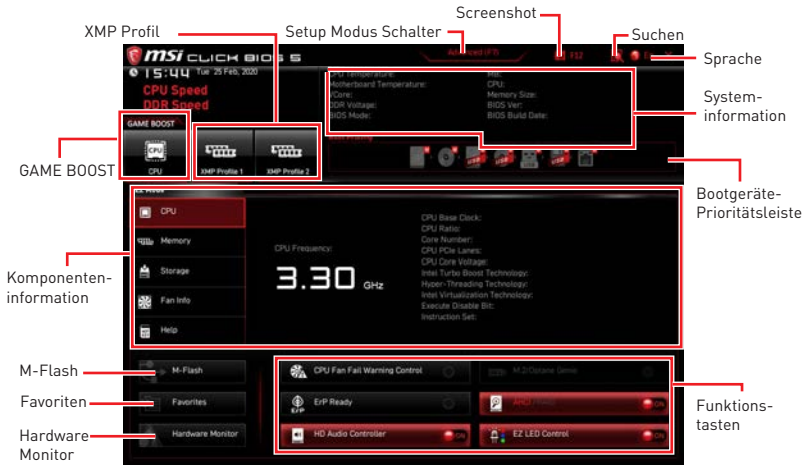
3. Klicken Sie auf die Schaltfläche **Scan**, um die neueste BIOS-Datei zu suchen.
4. Wählen Sie die BIOS-Datei aus und klicken Sie auf das **Download**-Symbol, um die neueste BIOS-Datei herunterzuladen und zu installieren.
5. Klicken Sie auf **Next (Weiter)** und wählen Sie **In Windows Mode** aus. Und klicken dann auf **Next (Weiter)** und **Start (Starten)**, um das BIOS-Update zu starten.
6. Nachdem das Flashen des BIOS vollständig ist, startet das System automatisch neu.

Aktualisierung des BIOS mit Flash BIOS Taste

1. Laden Sie bitte die neueste BIOS Version, die das Modell des Motherboards entspricht, von der offiziellen MSI® Website.
2. Benennen die BIOS-Datei im **MSI.ROM** um und speichern Sie die Datei im Root-Verzeichnis des USB-Flash-Speichers.
3. Verbinden Sie die Stromversorgung an dem **CPU_PWR1** und **ATX_PWR1**-Stecker. (Sie benötigen keine CPU und keinen Speicher zu installieren)
4. Stecken Sie das USB-Flashlaufwerk, das die MSI.ROM-Datei enthält, in dem Anschluss des **Flash BIOS** auf der Rückseite E/A des Panels ein.
5. Drücken Sie die Taste **Flash BIOS**, um das BIOS zu flashen, nun beginnt die **Flash BIOS LED** zu blinken.
6. Nachdem das Flashen des BIOS vollständig ist, erlischt die Flash BIOS LED.

EZ Modus

Im EZ-Modus können Sie die Grundinformationen des Systems einsehen und grundlegende Einstellungen konfigurieren. Um sich die erweiterten BIOS-Einstellungen anzeigen zu lassen, aktivieren Sie bitte den Erweiterten Modus durch Drücken des **Setup Modus Schalter** oder der Funktionstaste **F7**.



- **GAME BOOST** - Klicken Sie den Schalter, um GAME BOOST für OC zu wechseln. Diese Funktion kann nur dann genutzt werden, wenn sowohl das Motherboard als auch die CPU diese Funktion unterstützen.

Wichtig

Bitte ändern Sie keine Werte im OC Menü und laden Sie keine Standardwerte während **GAME BOOST** aktiviert ist, um die optimale Leistung und Stabilität des Systems zu gewährleisten.

- **XMP Profil** - Mit dieser Option können Sie das XMP-Profil auswählen, dessen Speicher übertaktet werden soll. Diese Funktion steht nur zur Verfügung, wenn das System, Speicher und CPU die XMP-Technik unterstützen.
- **Setup Modus Schalter** - Mit dieser Registerkarte oder der **F7**-Taste können Sie zwischen dem Erweiterten-Modus und EZ-Modus wechseln.
- **Screenshot** - Wählen Sie diese Registerkarte oder betätigen Sie die **F12**-Taste, um einen Screenshot zu machen und auf einen FAT/FAT32-USB-Laufwerk zu speichern.
- **Suchen** - Klicken Sie auf diese Registerkarte oder die **Strg+F** Taste um die Suchseite anzuzeigen. Mit der Funktion können Sie durch Eingabe eines Suchbegriffs nach BIOS-Einträgen suchen. Bewegen Sie den Mauszeiger über einen freien Bereich und klicken Sie mit der rechten Maustaste, um die Suchseite zu schließen.

Wichtig

Auf der Suchseite stehen nur die **F6**-, **F10**- und **F12**-Funktionstasten zur Verfügung.

- **Sprache** - Hier können Sie die Sprache der BIOS-Einstellungen auswählen.
- **Systeminformationen** - Diese zeigt CPU/ DDR-Frequenz, CPU/ MB-Temperatur, MB/ CPU-Typ, Speicherkapazität, CPU/ DDR-Spannung, BIOS-Version und Erstellungs-Datum.
- **Boot-Geräte Prioritätsleiste** - Sie können die Gerätesymbole verschieben, um die Startreihenfolge zu ändern. Die Bootreihenfolge sind mit "hoch"(links) bis "niedrig" (rechts) bezeichnet.
- **Komponenteninformation** - Klicken Sie auf die Schaltfläche **CPU, Memory, Storage, Fan Info** und **Help** auf der linken Seite, um die Informationen der angeschlossenen Komponente anzuzeigen.
- **Funktionstasten** - Aktivieren oder deaktivieren Sie diese Funktionen durch Anklicken der Schaltfläche. Die Funktion ist aktiviert, wenn die Taste Auf **EIN** anzeigt.



Wichtig

Die Funktionstasten variieren je nach erworbenem Motherboard.

- **M-Flash** - Ein Klick auf diese Schaltfläche öffnet **M-Flash** mit dem Sie das BIOS mit einem USB-Flash-Laufwerk aktualisieren.
- **Hardware Monitor** - Ein Klick auf diese Schaltfläche öffnet das Menü des **Hardware Monitor** mit dem Sie die Lüfterdrehzahl in Prozent manuell steuern.

- **Favoriten** - Klicken Sie auf diese Schaltfläche oder drücken Sie die Taste **F3**, um das Fenster **Favoriten** anzuzeigen. Es bietet fünf Menüs zum Erstellen eines persönlichen BIOS-Menüs, in dem Sie bevorzugte/ häufig verwendete BIOS-Einstellungsoptionen speichern und darauf zugreifen können.



▪ **Um ein BIOS-Punkte zu einer Favoritenmenü hinzufügen**

1. Sie können nicht nur über einen Eintrag im BIOS-Menü sondern auch auf der Suchseite auswählen.
2. Klicken Sie mit der rechten Maustaste oder drücken Sie die Taste **F2**.
3. Wählen Sie die gewünschte Seite aus und klicken Sie auf **OK**.



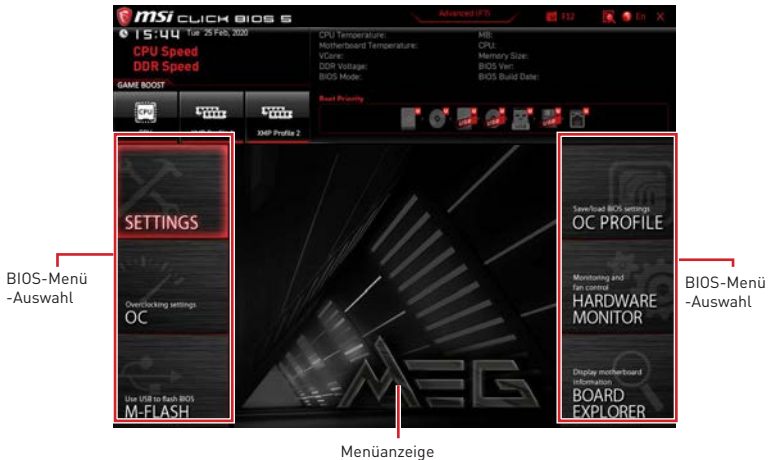
▪ **Um ein BIOS-Punkte von Favoritenmenü zu löschen**

1. Wählen Sie einen BIOS-Eintrag auf einer Favoritenmenü.
2. Klicken Sie mit der rechten Maustaste oder drücken Sie die Taste **F2**.
3. Wählen Sie **Delete** aus und klicken Sie auf **OK**.



Erweiterter Modus

Drücken Sie den **Setup Modus Schalter** oder die Funktionstaste **F7**, um zwischen dem EZ-Modus und Erweiterten-Modus im BIOS-Setup zu wechseln.



- **BIOS-Menü-Auswahl** - Die folgenden Optionen stehen zur Verfügung.
 - **SETTINGS** - Mit diesem Menü können Sie die Parameter für Chipsatz, Boot-Geräte angeben.
 - **OC** - Hier können Sie die Frequenz und Spannung anpassen. Die Erhöhung der Frequenz kann eine bessere Leistung erreichen.
 - **M-FLASH** - M-Flash erlaubt es, das BIOS mit einem USB-Flash-Laufwerk zu aktualisieren.
 - **OC PROFILE** - In diesem Menü werden die verschiedenen Overclocking-Profile gespeichert.
 - **HARDWARE MONITOR** - Hier können Sie die Geschwindigkeiten der Lüfter anpassen und die Spannungen des Systems überwachen.
 - **BOARD EXPLORER** - Zeigt Ihnen Informationen über Geräte an, die an das Mainboard angeschlossen sind.
- **Menüanzeige** - Dieser Bereich ermöglicht die Konfiguration von BIOS Einstellungen.

OC Menü

In diesem Menü können Sie die Frequenzen und Spannungen für das Übertakten konfigurieren. Bitte beachten Sie, dass höhere Frequenzen und Spannungen die Übertaktungsfähigkeit verbessern können, jedoch zu einer Instabilität des Systems führen.



Wichtig

- Die Übertaktung ist nur für fortgeschrittene Benutzer zu empfehlen.
- Eine erfolgreiche Übertaktung ist nicht gewährleistet. Die Anwendung von Übertaktungsmaßnahmen kann zu Verlust der Garantie oder zur Beschädigung der Hardware führen.
- Falls Sie sich mit der Übertaktung nicht auskennen, empfehlen wir für einfaches Übertakten die **GAME BOOST** Funktion.
- Die BIOS-Funktionen im OC Menü werden abhängig von dem Prozessor variieren.

► OC Explore Mode [Expert]

Aktivieren oder deaktivieren Sie die Funktion, um die normale oder Expertenversion des OC-Einstellungen anzuzeigen.

[Normal] Bietet normale Übertaktungseinstellungen im BIOS-Setup.

[Expert] Bietet die erweiterten Übertaktungseinstellungen für den erfahrenen Benutzer, welche die Einstellungen im BIOS-Setup konfigurieren wollen.

Hinweis: Wir verwenden * als Symbol für die Übertaktungseinstellungen des Erweiterten Modus.

► Extreme OC Setup [Disabled]*

Stellt die optimalen BIOS Einstellungen für extreme Übertaktung ein.

► CPU Ratio Apply Mode [All Core]*

Legt den Modus für den angepassten CPU-Multiplikator fest. Diese Option erscheint nur, wenn eine CPU installiert ist, die die Funktion **Turbo Boost** unterstützt.

► CPU Ratio [Auto]

Legen Sie den CPU-Multiplikator fest, um die CPU-Taktfrequenzen zu bestimmen. Diese Option erscheint nur, wenn **CPU Ratio Apply Mode** auf **All Core** eingestellt.

► X-Core Ratio Limit [Auto]

Hier können Sie die CPU Taktraten der verschiedenen aktiven Kerne anpassen. Diese Option kann nur geändert werden, wenn **CPU Ratio Apply Mode** auf **Turbo Ratio** eingestellt.

► Numbers of CPU Cores of Group X [Auto]*

Legt die Anzahl der Prozessorkerne als eine Gruppe für die Anwendung des CPU-Turbo-Multiplikators fest. Die jeweils nächste Gruppe sollte mehr CPU-Kerne als die vorangegangene Gruppe haben. Diese Option kann nur geändert werden, wenn **CPU Ratio Apply Mode** auf **Turbo Ratio** eingestellt.

► Target CPU Turbo Ratio Group X [Auto]

Legt den CPU-Turbo-Multiplikator für eine festgelegte Gruppe von CPU-Kernen fest. Der eingestellte Wert des CPU-Turbo-Multiplikators sollte nicht höher sein als der Wert der vorangegangenen CPU-Kern-Gruppe. Diese Option kann nur geändert werden, wenn **CPU Ratio Apply Mode** auf **Turbo Ratio** eingestellt.

► Adjusted CPU Frequency

Zeigt die eingestellte Frequenz der CPU an. Es handelt sich um eine Anzeige – Änderungen sind nicht möglich.

► Core X X of X xxxx MHz [Auto]

Hier können Sie die CPU Taktraten der verschiedenen aktiven Kerne anpassen. Diese Optionen kann nur geändert werden, wenn **CPU Ratio Apply Mode** auf **Per Core** eingestellt.

► Turbo Ratio Offset Value [Auto]

Legt einen CPU Turbo Ratio Offset -Wert fest. Diese Option erscheint nur, wenn **CPU Ratio Apply Mode** auf **Turbo Ratio Offset** eingestellt.

► CPU Ratio Mode [Dynamic Mode]*

Wählen Sie den Betriebsmodus des CPU-Multiplikators. Diese Option wird angezeigt, wenn Sie den CPU-Multiplikator manuell einstellen.

[Fixed Mode] Legt den CPU-Multiplikator fest.

[Dynamic Mode] Der CPU-Multiplikator wird dynamisch je nach CPU-Belastung verändert.

► CPU Ratio Offset When Running AVX [Auto]

Legt einen Offset-Wert fest, um die Taktrate des CPU-Kerns zu reduzieren. Es könnte für die Wärmeableitung beim Betrieb des AVX-Instruction-Set hilfreich sein. Wenn die Einstellung auf [Auto] gesetzt ist, wird das BIOS diese Einstellungen automatisch konfigurieren. Diese Option wird angezeigt, wenn die CPU diese Funktion unterstützt.

► Ring Ratio [Auto]

Setzen Sie den Ring Ratio. Der erlaubte Wertebereich ist abhängig von der installierten CPU.

► Adjusted Ring Frequency

Zeigt die angepasste Ring Frequenz. Nur Anzeige – keine Änderung möglich.

► GT Ratio [Auto]

Setzen Sie den Multiplikator der integrierten Grafik. Der erlaubte Wertebereich ist abhängig von der installierten CPU.

► Adjusted GT Frequency

Zeigt die angepasste Frequenz der integrierten Grafik. Nur Anzeige – keine Änderung möglich.

► +Misc Setting*

Drücken Sie die Enter, + oder - Taste, um die folgenden Punkte des CPU-Funktionen zu öffnen oder zu schließen.

► CPU Base Clock (MHz) [Default]

Hier können Sie den CPU Grundtakt anpassen. Sie können die CPU übertakten, indem Sie diesen Wert verändern. Bitte beachten Sie, dass die Übertaktung (und das Ergebnis) und die Stabilität nicht gewährleistet sind. Diese Option wird angezeigt, wenn der installierte Prozessor diese Funktion unterstützt.

► CPU Base Clock Apply Mode [Auto]*

Einstellung des angepassten CPU Grundtakts.

[Auto] Diese Einstellungen werden vom BIOS automatisch konfiguriert.

[Next Boot] Die CPU arbeitet mit angepasstem CPU Grundtakt nach einem Neustart.

[Immediate] Die CPU arbeitet mit angepasstem CPU Grundtakt sofort.

► Clockgen Features sub-menu

Drücken Sie die **Eingabetaste <Enter>**, um das Untermenü aufzurufen. Steuert die Einstellungen des CPU-Takts.

► Extreme Memory Profile (XMP) [Disabled]

Extreme Memory Profile (XMP) basieren auf Zertifizierungen für Speichermodule aus dem PC-Bereich. Aktivieren Sie die Funktion XMP oder wählen Sie ein Profil des Speichermoduls zum Übertakten aus. Diese Option steht zur Verfügung, wenn die installierten Speichermodule die **XMP Technik** unterstützen.

► DRAM Reference Clock [Auto]*

Setzen Sie den DRAM-Referenztakt. Der erlaubte Wertebereich ist abhängig von der installierten CPU. Diese Option wird angezeigt, wenn die installierte CPU diese Einstellungen unterstützt.

► DRAM Frequency [Auto]

Setzen Sie die DRAM Frequenz. Bitte beachten Sie, dass ein zuverlässiges Übertaktungsverhalten nicht garantiert werden kann.

► Adjusted DRAM Frequency

Zeigt die Speicherfrequenz an. Nur Anzeige – keine Änderung möglich.

► Load Memory Presets [Disabled]*

Selektiert die voreingestellten Übertaktung-Parameter des Speichers (einschließlich Spannung und Timing), um die installierte Speicherleistung von BIOS zu optimieren.

► Memory Try It ! [Disabled]

Die Option „Memory Try It!“ dient der Verbesserung der Speicherkompatibilität oder auch der Speicherleistung durch die Auswahl der optimierten Speicher-Voreinstellungen.

► DRAM Timing Mode [Link]

Wählt den Speicher-Timing-Modus aus.

[Link] Ermöglicht die manuelle Konfigurieren des DRAM-Timing für alle Speicherkanäle.

[UnLink] Ermöglicht die manuelle Konfigurieren des DRAM-Timing für die einzelnen Speicherkanäle.

► **Advanced DRAM Configuration**

Drücken Sie die **Eingabetaste <Enter>**, um das Untermenü aufzurufen. Der Anwender kann die Speicher-Timing für jeden Kanal des Speichers einstellen. Das System könnte nach dem Ändern der Speicher-Timings instabil werden oder nicht mehr booten. Wenn Instabilität auftritt, löschen Sie bitte die CMOS-Daten und stellen Sie die Standardeinstellungen wieder her. (Lesen Sie bitte den Abschnitt „Steckbrücke zur CMOS-Löschung/ Clear CMOS Taste“, um die CMOS-Daten zu löschen, und die Standardeinstellungen auf das BIOS zu laden.)

► **Memory Fast Boot [Auto] ***

Aktivieren oder deaktivieren Sie die die Initiierung und Prüfung des Speichers für jeden Boot.

- | | |
|------------|---|
| [Auto] | Diese Einstellungen werden vom BIOS automatisch konfiguriert. |
| [Enabled] | Der Vorgang der Initiierung und Prüfung des Hauptspeichers wird aus dem Archiv der ersten Initiierung imitiert um den Systemstart zu beschleunigen. |
| [Disabled] | Der Speicher wird bei jedem Boot-Vorgang vollständig neu initiiert und geprüft. |

► **DigitALL Power sub-menu**

Drücken Sie die **Eingabetaste <Enter>**, um das Untermenü aufzurufen. Im Untermenü können Sie einige Schutzbedingungen über Spannung/ Strom/ Temperatur für die CPU. einstellen.

► **CPU Core/ GT Voltage Mode [Auto]***

Stellen Sie die Betriebsmodi für diese CPU Core/ GT-Spannungen ein.

► **CPU Core Voltage Mode [Auto]***

Stellen Sie den Modus der CPU Core-Spannung ein.

► **CPU Voltages control [Auto]**

Erlaubt das Einstellen der CPU-Spannungen. Wenn die Einstellung auf **Auto** gesetzt ist, wird das BIOS die Spannungen automatisch einstellen oder Sie können es manuell einstellen.

► **DRAM Voltages control [Auto]**

Erlaubt das Einstellen der DRAM-Spannungen. Wenn die Einstellung auf **Auto** gesetzt ist, wird das BIOS die Spannungen automatisch einstellen oder Sie können es manuell einstellen.

► **PCH Voltages control [Auto]**

Erlaubt das Einstellen der PCH-Spannungen. Wenn die Einstellung auf **Auto** gesetzt ist, wird das BIOS die Spannungen automatisch einstellen oder Sie können es manuell einstellen.

► CPU Memory Changed Detect [Enabled]*

Aktiviert/Deaktiviert die Systemwarnmeldung beim Booten, wenn die CPU oder der Hauptspeicher ersetzt wurde.

[Enabled] Das System zeigt eine Warnmeldung beim Systemstart und lädt die Default-Einstellungen für neue Geräte.

[Disabled] Deaktivierung der Funktion und Beibehaltung der aktuellen BIOS-Einstellungen.

► OC Quick View Timer [3 Sec]*

Legt die Dauer der Anzeigzeit von Übertaktung-Einstellungswerten fest. Wenn die Einstellung auf **Deaktiviert** gesetzt ist, wird das BIOS die unterschiedlichen OC-Einstellungen nicht anzeigen.

► CPU Specifications sub-menu

Drücken Sie die **Eingabetaste <Enter>**, um das Untermenü aufzurufen. Das Drücken Sie die **Eingabetaste <Enter>**, um das Untermenü aufzurufen. Das Untermenü zeigt die Informationen der installierten CPU an. Zu diesen Informationen gelangen Sie, indem Sie die Taste [F4] drücken. Nur Anzeige.

► MEMORY-Z sub-menu

Drücken Sie die **Eingabetaste <Enter>**, um das Untermenü aufzurufen. Dieses Untermenü zeigt alle Einstellungen und Timings des installierten Speichers. Zu diesen Informationen gelangen Sie auch, indem Sie die Taste [F5] drücken.

► CPU Features sub-menu

Drücken Sie die **Eingabetaste <Enter>**, um das Untermenü aufzurufen. Sie können die CPU-Funktionen und -Technologien aktivieren oder deaktivieren, um die CPU zu schützen und die Systemleistung zu verbessern.

Table des matières

Informations de sécurité	3
Spécifications	4
Spécifications du connecteur JCORSAIR1	10
Contenu	11
Panneau arrière Entrée / Sortie	12
Tableau explicatif de l'état de la LED du port LAN	12
Configuration des ports audio.....	12
Realtek Audio Console	13
Installation des antennes	15
Vue d'ensemble des composants	16
Socket processeur.....	17
Slots DIMM	18
PCI_E1~5 : Slots d'extension PCIe.....	19
M2_1~3 : Slots M.2 (Touche M)	21
SATA1~6 : Connecteurs SATA 6Gb/s	23
JFP1, JFP2 : Connecteurs de panneau avant	24
CPU_PWR1~2, ATX_PWR1 : Connecteurs d'alimentation.....	25
JBLK_U1 : Connecteur Fréquence de base.....	26
V-Check Points Lite.....	26
JSLOW1 : Cavalier de démarrage du mode ralenti	27
JLN1 : Cavalier de démarrage à basse température	27
JOC_RT1 : Bouton OC Retry	28
JOC_FS1 : Bouton OC Force Enter BIOS	28
JAUD1 : Connecteur audio avant.....	29
JUSB1 : Connecteur USB 3.2 Gen 2 Type-C	29
JUSB2 : Connecteur USB 3.2 Gen 1	30
JUSB3~4 : Connecteurs USB 2.0.....	31
JTPM1 : Connecteur de module TPM.....	31
CPU_FAN1, PUMP_FAN1, SYS_FAN1~6 : Connecteurs pour ventilateurs.....	32
JTBT1 : Connecteur de carte additionnelle Thunderbolt	33
JRTD3 : Connecteur Intel RTD3	33
JCI1 : Connecteur intrusion châssis	34
JBAT1 : Cavalier Clear CMOS (Réinitialisation BIOS).....	35
POWER1, RESET1 : Boutons d'alimentation et de réinitialisation	35
JRGB1 : Connecteurs LED RGB	36
JRAINBOW1~2 : Connecteurs LED RGB adressables	37
JCORSAIR1 : Connecteur CORSAIR	38

Indicateurs LED embarqués	39
EZ Debug LED	39
Indicateur LED du mode XMP	39
JPWRLED1 : Indicateur LED de l'entrée d'alimentation	39
LED_SW1 : Contrôle EZ LED	40
Debug Code LED	40
Tableau des caractères hexadécimaux.....	40
Phase de démarrage	40
Tableau de Debug Code LED.....	41
Codes d'état ACPI	45
Température du processeur	45
Installer OS, Pilotes et Utilitaires	46
Installer Windows® 10	46
Installer les pilotes.....	46
Installer les utilitaires	46
UEFI BIOS.....	47
Configuration du BIOS	48
Entrer dans l'interface Setup du BIOS.....	48
Réinitialiser le BIOS.....	49
Mettre le BIOS à jour	49
EZ Mode (mode simplifié).....	51
Advanced Mode (mode avancé)	55
OC Menu (menu overlocking)	56

Informations de sécurité

- Les composants dans l'emballage peuvent être endommagés par des décharges électrostatiques (ESD). Pour vous assurer de correctement monter votre ordinateur, veuillez vous référer aux instructions ci-dessous.
- Assurez-vous de bien connecter tous les composants. En cas de mauvaise connexion, il se peut que l'ordinateur ne reconnaisse pas le composant et que le démarrage échoue.
- Veuillez tenir la carte mère par les bords pour éviter de toucher les composants sensibles.
- Il est recommandé de porter un bracelet antistatique lors de la manipulation de la carte mère pour prévenir tout dommage. Si vous n'avez pas de bracelet antistatique, touchez un objet métallique relié à la terre avant de manipuler la carte mère afin de vous décharger de votre charge statique. Touchez régulièrement l'objet métallique pendant toute la manipulation.
- Tant que la carte mère n'est pas installée, conservez-la dans un récipient protégé contre les ondes électrostatiques ou sur une couche antistatique.
- Avant de démarrer l'ordinateur, vérifiez si toutes les vis et les composants métalliques sont bien fixés sur la carte mère ou ailleurs dans le boîtier de l'ordinateur.
- Ne démarrez pas l'ordinateur avant d'avoir terminé l'installation. Ceci peut endommager les composants ou vous blesser.
- Si vous avez besoin d'aide pendant l'installation, veuillez consulter un technicien informatique certifié.
- Avant d'installer les composants d'ordinateur, veuillez toujours mettre hors tension et débrancher le cordon d'alimentation.
- Gardez ce manuel pour références futures.
- Protégez ce manuel contre l'humidité.
- Avant de brancher le bloc d'alimentation sur la sortie électrique, veuillez vous assurer que la tension de la sortie électrique est bien égale à celle du bloc d'alimentation.
- Placez le cordon d'alimentation de façon à éviter que l'on marche dessus. Ne posez rien sur le cordon d'alimentation.
- Veuillez prêter attention à toutes les alertes et remarques indiquées sur la carte mère.
- Dans un cas comme ci-dessous, faites appel au service autorisé pour vérifier votre carte mère :
 - Un liquide a pénétré dans l'ordinateur.
 - La carte mère a été exposée à de l'humidité.
 - La carte mère ne fonctionne pas comme indiqué dans les instructions.
 - La carte mère est tombée par terre et a été endommagée.
 - La carte mère est cassée.
- Ne pas mettre la carte mère dans un environnement dont la température est supérieure à 60°C (140°F) sous peine de l'endommager.

Spécifications

CPU	<p>Support des processeurs Intel® Core™ de 10ème génération et Pentium® Gold / Celeron® pour socket LGA 1200*</p> <p>* Veuillez vous au site www.intel.com pour plus d'informations de compatibilité.</p> <p>* Les sorties vidéo intégrées sont indisponibles lors de l'utilisation des processeurs série F.</p>
Chipset	Chipset Intel® Z490
Mémoire	<ul style="list-style-type: none"> • 4 x slots pour mémoire DDR4, support jusqu'à 128Go* • Support 1R 2133/2666/2933 MHz* <ul style="list-style-type: none"> ▪ La fréquence maximale en mode 1DPC 1R jusqu'à 4800+ MHz ▪ La fréquence maximale en mode 1DPC 2R jusqu'à 4266+ MHz ▪ La fréquence maximale en mode 2DPC 1R jusqu'à 4400+ MHz ▪ La fréquence maximale en mode 2DPC 2R jusqu'à 4000+ MHz • Support mode double canal • Support non-ECC, mémoire un-buffered • Support Intel® Extreme Memory Profile (XMP) <p>* Veuillez vous référer au site www.msi.com pour plus d'informations sur la mémoire compatible.</p>
Slots d'extension	<ul style="list-style-type: none"> • 3 x slots PCIe 3.0 x 16 (2 du CPU, 1 du PCH, support 16/0/4, 8/8/4) • 2 x slots PCIe x 1 (du PCH)
Multi-GPU	<ul style="list-style-type: none"> • Support de la technologie NVIDIA® SLI™ 2-Way • Support de la technologie AMD® CrossFire™ 3-Way

Suite du tableau sur la page suivante

Suite du tableau sur la page précédente

Stockage	<p>Chipset Intel® Z490</p> <ul style="list-style-type: none">• 6 x ports SATA 6Gb/s*• 3 x slots M.2 (Touche M)<ul style="list-style-type: none">▪ Le slot M2_1 supporte jusqu'à PCIe 3.0 x 4 et SATA 6Gb/s, des périphériques de stockage 2242/2260/2280/22110*▪ Le slot M2_2 supporte jusqu'à PCIe 3.0 x 4 et SATA 6Gb/s, des périphériques de stockage 2242/2260/2280**▪ Le slot M2_3 supporte jusqu'à PCIe 3.0 x 4, des périphériques de stockage 2242/2260/2280▪ Intel® Optane™ Memory Ready***▪ Support technologie Intel® Smart Response pour les processeurs Intel Core™ <p>* Le connecteur SATA2 est indisponible lorsqu'un SSD SATA M.2 est installé dans le slot M2_1. ** Les connecteurs SATA5 et SATA6 sont indisponibles lorsqu'un SSD SATA/PCIe M.2 est installé dans le slot M2_2. *** Avant d'utiliser les modules de mémoire Intel® Optane™, veuillez vous assurer d'avoir mis à jour les pilotes et le BIOS avec la dernière version disponible sur le site officiel MSI.</p>
RAID	<p>Chipset Intel® Z490</p> <ul style="list-style-type: none">• Support RAID 0, RAID1, RAID 5 et RAID 10 pour les périphériques de stockage SATA• Support RAID 0, RAID 1 et RAID 5 pour les périphériques de stockage M.2 PCIe
LAN	<ul style="list-style-type: none">• 1 x contrôleur Realtek® 8125B 2.5G LAN
Wireless / Bluetooth	<p>Intel® AX201</p> <ul style="list-style-type: none">• MU-MIMO TX/RX, 2.4GHz/5GHz (160MHz) jusqu'à 2.4Gbps• 802.11ac; WiFi 6 pré-certifié• Bluetooth 5.0, FIPS, FISMA• 1 x Socket M.2 avec Touche E (mode Wi-Fi)

Suite du tableau sur la page suivante

Suite du tableau sur la page précédente

USB	<ul style="list-style-type: none">• Chipset Intel® Z490<ul style="list-style-type: none">▪ 4 x ports USB 3.2 Gen 2 10Gbps (3 ports Type-A sur le panneau arrière, 1 Type-C connecteur interne)▪ 4 x ports USB 3.2 Gen 1 5Gbps (2 ports Type-A sur le panneau arrière, 2 ports par l'intermédiaire des connecteurs USB internes)▪ 6 x ports USB 2.0 (2 ports Type-A sur le panneau arrière, 4 ports par l'intermédiaire des connecteurs USB 2.0 internes)• Chipset ASMedia® 3241<ul style="list-style-type: none">▪ 1 x port USB 3.2 Gen 2x2 20Gbps Type-C sur le panneau arrière
Audio	<p>Realtek® ALC1220 Codec + ESS E9018Q2C combo DAC</p> <ul style="list-style-type: none">• Audio haute définition 7,1• Support sortie S/PDIF
Connecteurs sur le panneau arrière	<ul style="list-style-type: none">• 1 x Clear CMOS• 1 x bouton Flash BIOS• 1 x port combo souris / clavier PS/2• 2 x ports USB 2.0• 2 x ports USB 3.2 Gen 1 5Gbps Type-A• 3 x ports USB 3.2 Gen 2 10Gbps Type-A• 1 x port USB 3.2 Gen 2x2 20Gbps Type-C• 1 x port LAN (RJ45)• 1 x connecteur d'antenne Wi-Fi• 1 x connecteur Sortie S/PDIF optique• 5 x jacks audio


Suite du tableau sur la page suivante

Suite du tableau sur la page précédente

Connecteurs internes	<ul style="list-style-type: none"> • 1 x connecteur d'alimentation principal ATX à 24 broches • 2 x connecteurs d'alimentation ATX 12V à 8 broches • 6 x connecteurs SATA 6 Gb/s • 3 x slots M.2 (Touche M) • 1 x port USB 3.2 Gen 2 10Gbps Type-C • 1 x connecteur USB 3.2 Gen 1 5Gbps (support de 2 autres ports USB 3.2 Gen 1 5Gbps) • 2 x connecteurs USB 2.0 (support de 4 autres ports USB 2.0) • 1 x connecteur de ventilateur CPU à 4 broches • 1 x connecteur de ventilateur à 4 broches pour la pompe à eau • 6 x connecteurs de ventilateur système à 4 broches • 1 x connecteur audio avant • 2 x connecteurs de panneau système • 1 x connecteur intrusion châssis • 1 x cavalier du mode ralenti • 1 x bouton d'alimentation • 1 x bouton de réinitialisation • 1 x connecteur LED RGB à 4 broches • 2 x connecteurs de LED RAINBOW à 3 broches • 1 x connecteur de LED CORSAIR à 3 broches
Fonctions LED	<ul style="list-style-type: none"> • 1 x interrupteur de commande LED • 4 x EZ Debug LED • 1 x 2-Digit Debug Code LED
Contrôleur E/S	Contrôleur NUVOTON NCT6687
Moniteur système	<ul style="list-style-type: none"> • Détection de la température du CPU et du système • Détection de la vitesse du ventilateur du CPU et du système • Contrôle de la vitesse du ventilateur du CPU et du système
Dimensions	<ul style="list-style-type: none"> • Format ATX • 30,5 cm x 24,4 cm (12" x 9,6")

Suite du tableau sur la page suivante

Suite du tableau sur la page précédente

Fonctions BIOS	<ul style="list-style-type: none">• 1 x flash 256 Mb• UEFI AMI BIOS• ACPI 6.2, SM BIOS 3.2• Multilingue
Logiciel	<ul style="list-style-type: none">• Pilotes• DRAGON CENTER• Intel Extreme Tuning Utility• Nahimic Audio• MSI App Player (BlueStacks)• Open Broadcaster Software (OBS)• CPU-Z MSI GAMING• Google Chrome™, Google Toolbar, Google Drive• Norton™ Internet Security Solution
Fonctions Dragon Center	<ul style="list-style-type: none">• Gaming Mode• Gaming Hotkey• LAN Manager• Mystic Light• Ambient Link• User Scenario• Monitor (Hardware Monitor)• True Color• Live Update• DPC Latency tuner• Speed Up• Smart Tool• Super Charger• Voice Boost <div data-bbox="663 847 791 975"></div> <p data-bbox="663 999 916 1070">Référez-vous au site http://download.msi.com/manual/mb/DRAGONCENTER2.pdf pour plus de détails.</p>

Suite du tableau sur la page suivante

Suite du tableau sur la page précédente

Fonctions spéciales

- Audio
 - Audio Boost HD
 - Nahimic 3
 - Voice Boost
- Network
 - 2.5G LAN
 - LAN Manager
 - Intel WiFi
- Cooling
 - All Aluminum Design
 - Frozr Heatsink Design
 - Extended Heatsink Design
 - M.2 Shield Frozr
 - Ventilateurs pour la pompe
 - Contrôle intelligent du ventilateur
- LED
 - Mystic Light Extension (RGB)
 - Mystic Light Extension (RAINBOW)
 - Mystic Light Extension (CORSAIR)
 - Mystic Light SYNC
 - Ambient Link
 - EZ LED Control
 - EZ DEBUG LED
- Performance
 - Technologie Multi GPU – SLI
 - Technologie Multi GPU – CrossFire
 - DDR4 Boost
 - Core Boost
 - Game Boost
 - Lightning USB 20G
 - USB 3.2 Gen 2 10G
 - USB de Type A+C
 - Front USB Type-C
 - Dual CPU Power (8+8pin)

Suite du tableau sur la page suivante

Suite du tableau sur la page précédente

Fonctions spéciales	<ul style="list-style-type: none">• Protection<ul style="list-style-type: none">▪ Steel Armor PCI-E▪ Pre-installed I/O Shielding• Expérience<ul style="list-style-type: none">▪ Dragon Center▪ Click BIOS 5
----------------------------	--

Spécifications du connecteur JCORSAIR1

Produits CORSAIR à LED RGB supporté	Connexion maximale
Ruban LED RGB Lighting Node PRO	20* <small>* Il est recommandé de régler la luminosité sur 20% lorsque vous utilisez plus de 8 rubans LED.</small>
Ventilateur HD120 RGB	6
Ventilateur SP120 RGB	6
Ventilateur LL120 RGB	6

Contenu

Vérifiez tous les articles dans le carton d'emballage de votre carte mère. L'emballage doit contenir :

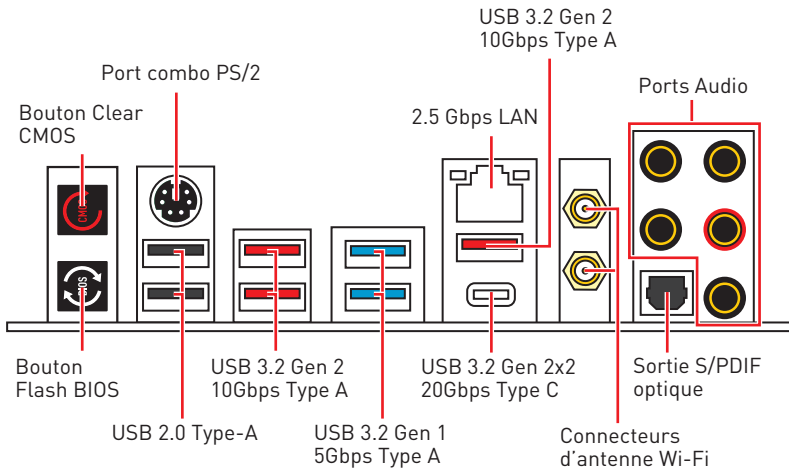
Carte mère	MEG Z490 UNIFY	
Documentation	Manuel d'utilisation	1
	Avertissement pour l'installation des entretoises	1
	Guide d'installation rapide	1
Application	DVD de pilotes	1
Câbles	Câble SATA 6G (2 câbles/paquet)	2
Accessoires	Antenne Wi-Fi	1
	Insigne pour châssis	1
	Étiquettes pour câbles SATA	1
	Carte d'enregistrement de produit	1
	Vis M.2 (3 pièces/sac)	1



Important

Veillez contacter votre revendeur si un des éléments ci-dessus est endommagé ou manquant.

Panneau arrière Entrée / Sortie



- **Bouton Clear CMOS** - Eteignez votre ordinateur. Appuyez sur le bouton CMOS pendant environ 5-10 secondes pour remettre le BIOS aux valeurs par défaut.
- **Port / Bouton Flash BIOS** - Veuillez vous référer à la page 50 pour la mise à jour du BIOS avec Bouton Flash BIOS.

Tableau explicatif de l'état de la LED du port LAN

LED indiquant la connexion et l'activité		LED indiquant la vitesse								
Etat	Description									
Eteint	Pas de connexion	<table border="1"> <thead> <tr> <th>Etat</th> <th>Description</th> </tr> </thead> <tbody> <tr> <td>Eteint</td> <td>Débit de 10 Mbps</td> </tr> <tr> <td>Vert</td> <td>Débit de 100 Mbps / 1 Gbps</td> </tr> <tr> <td>Orange</td> <td>Débit de 2.5 Gbps</td> </tr> </tbody> </table>	Etat	Description	Eteint	Débit de 10 Mbps	Vert	Débit de 100 Mbps / 1 Gbps	Orange	Débit de 2.5 Gbps
Etat	Description									
Eteint	Débit de 10 Mbps									
Vert	Débit de 100 Mbps / 1 Gbps									
Orange	Débit de 2.5 Gbps									
Jaune	Connexion correcte									
Clignote	Activité en cours									

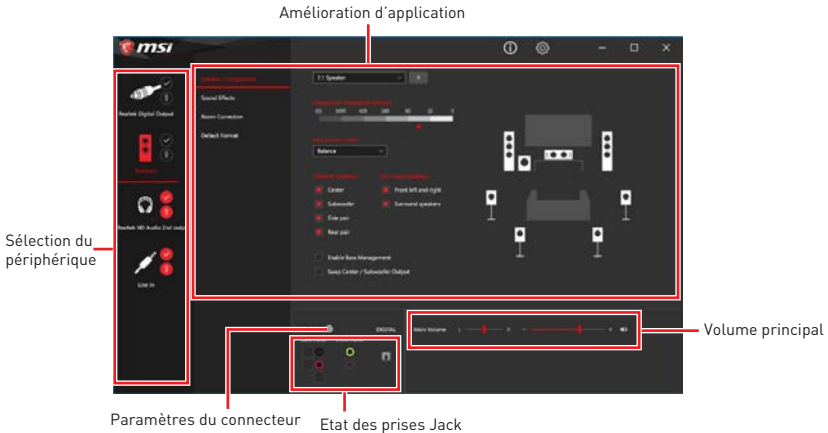
Configuration des ports audio

Ports Audio	Canal			
	2	4	6	8
Sortie centre / Caisson de basse			●	●
Sortie audio haut-parleur arrière		●	●	●
Entrée Ligne / Sortie audio haut-parleur côté				●
Sortie Ligne / Sortie casque avant	●	●	●	●
Entrée Microphone				

(● : connecté, Espace : vide)

Realtek Audio Console

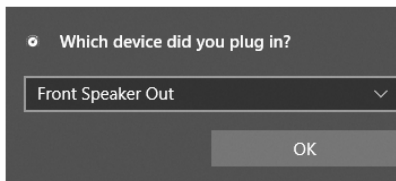
Après l'installation de Realtek Audio Console, vous pouvez l'utiliser pour modifier les paramètres du son afin d'obtenir une meilleure expérience sonore.



- **Sélection du périphérique** - vous permet de sélectionner une source de sortie audio pour en modifier les paramètres. Le symbole de coche indique le périphérique sélectionné par défaut.
- **Amélioration d'application** - les diverses options vous fournissent un guide complet des effets acoustiques proposés pour les périphériques de sortie et d'entrée.
- **Volume principal** - contrôle le volume ou équilibre le son gauche / droite des haut-parleurs branchés sur le panneau avant ou derrière en ajustant la barre de volume.
- **Etat des prises Jack** - présente tous les périphériques de diffusion et de capture connectés à votre ordinateur.
- **Paramètres du connecteur** - configure les paramètres de connexion.

Dialogue popup automatique

Lorsqu'un périphérique est branché sur une prise audio, une fenêtre de dialogue apparaît et vous demande de choisir le périphérique connecté que vous souhaitez utiliser.



Chaque jack est réglé avec ses paramètres par défaut comme indiqué sur la page suivante.

Important

Les photos ci-dessus ne sont données qu'à titre de référence et peuvent varier selon le produit que vous achetez.

Illustration de l'utilisation des ports audio dédiés au casque et au microphone

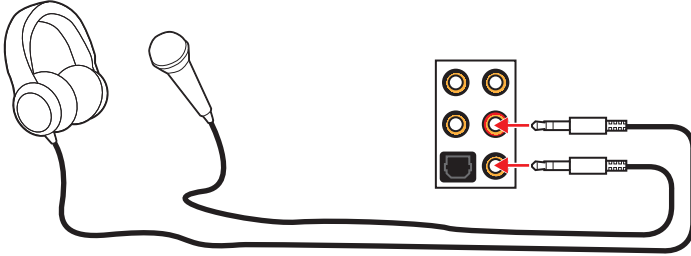


Illustration de l'utilisation du port audio dédié aux haut-parleurs

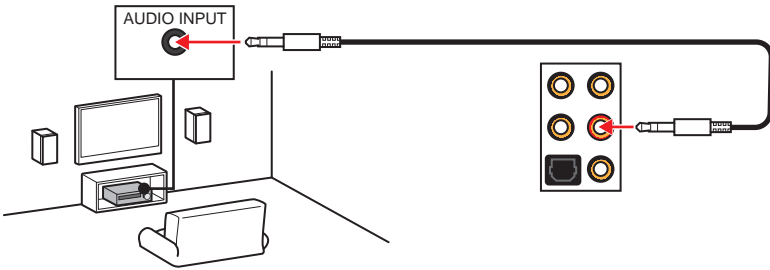
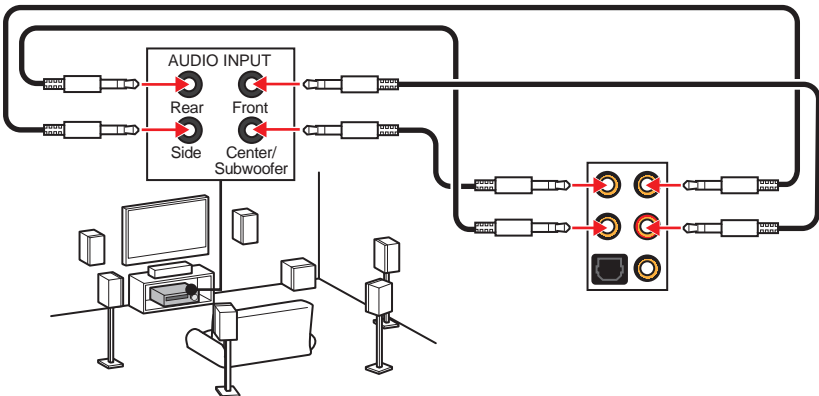
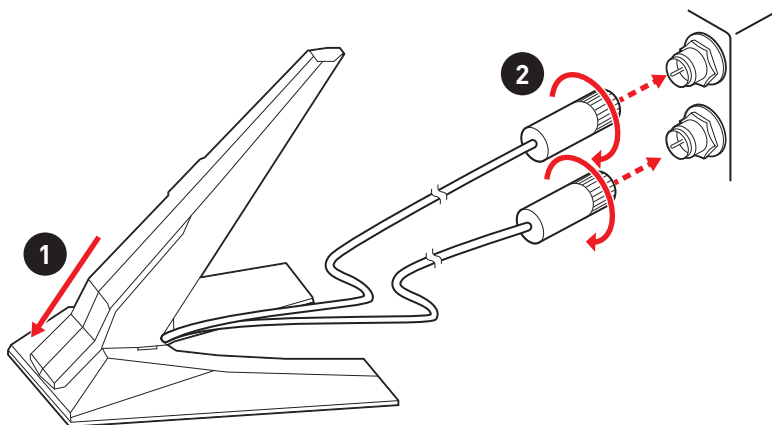


Illustration de l'utilisation des ports audio dédiés aux haut-parleurs 7.1

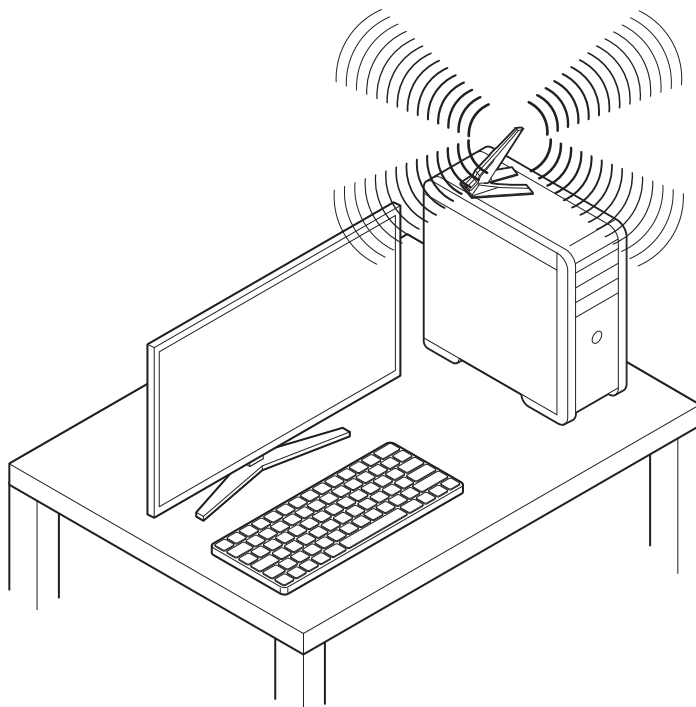


Installation des antennes

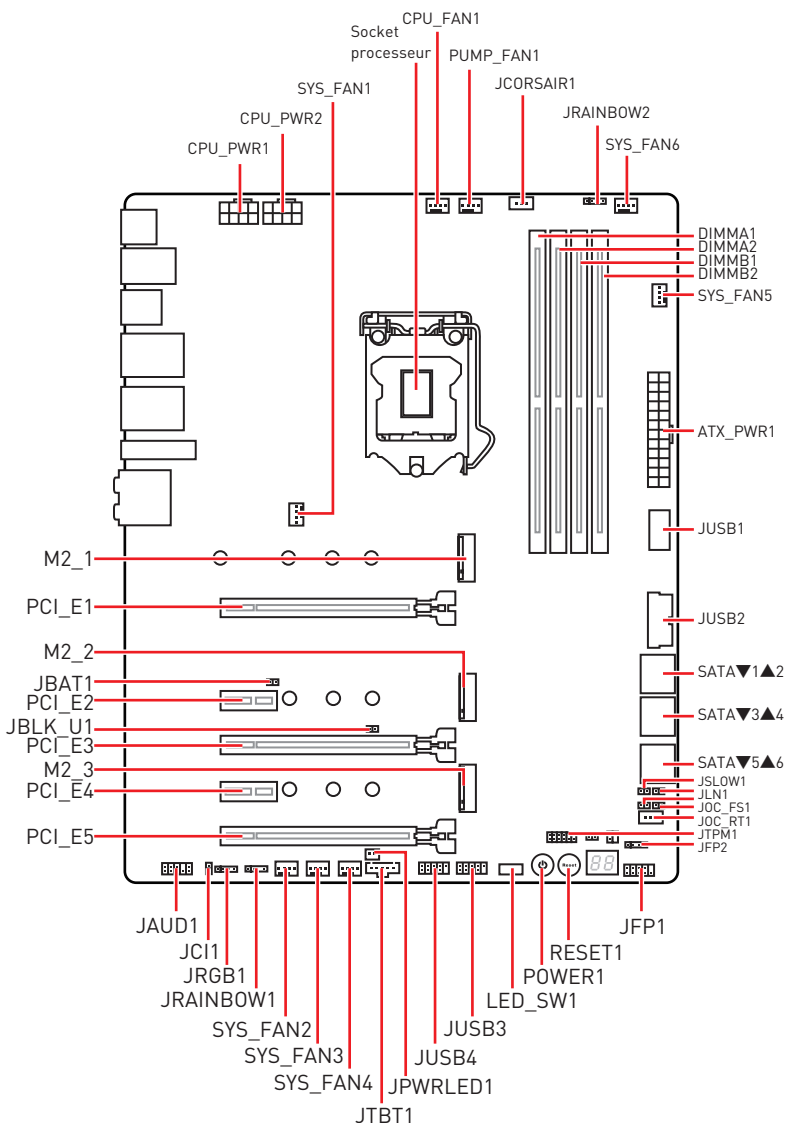
1. Combiner l'antenne avec la base.
2. Vissez fermement les antennes aux connecteurs d'antenne Wi-Fi comme indiqué ci-dessous.



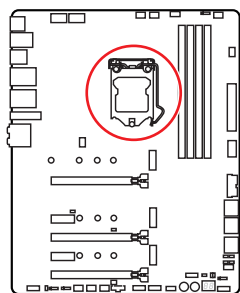
3. Placez les antennes le plus haut possible.



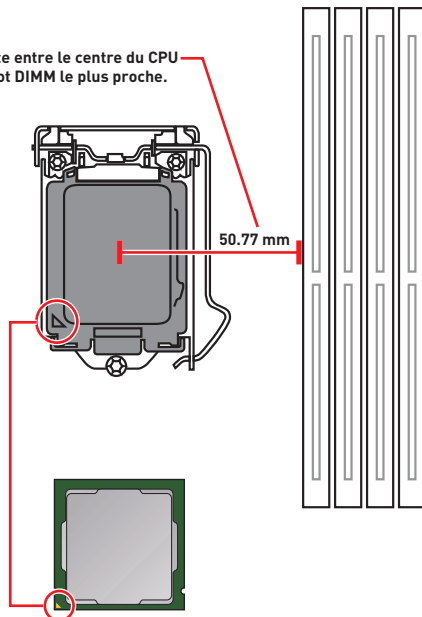
Vue d'ensemble des composants



Socket processeur



Distance entre le centre du CPU
et le slot DIMM le plus proche.



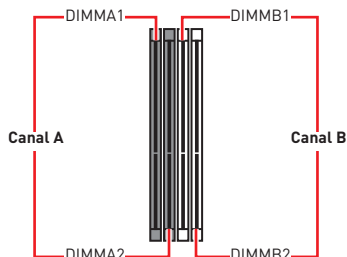
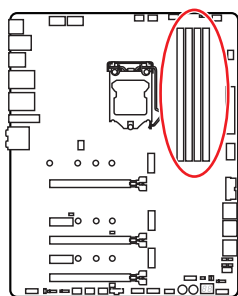
Présentation du socket LGA 1200

Sur le socket LGA 1200, vous remarquerez deux **encoches** et un **triangle doré** servant d'indicateurs pour placer le processeur dans la bonne position. Le triangle doré correspond à la broche 1 du processeur.

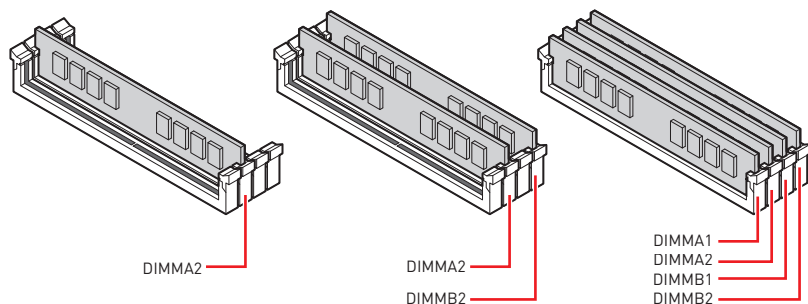
Important

- Avant d'installer ou de retirer le processeur du socket, veillez à toujours débrancher le câble d'alimentation de la prise électrique.
- Veuillez garder le capot de protection du processeur après l'installation du processeur. Selon les exigences de RMA (Return Merchandise Authorization), MSI n'acceptera pas les cartes mère dont le capot de protection aura été retiré.
- Lors de l'installation d'un processeur, n'oubliez pas d'installer un ventilateur pour processeur. Un ventilateur de processeur est nécessaire pour protéger le processeur contre la surchauffe et maintenir la stabilité du système.
- Assurez-vous de l'étanchéité entre le ventilateur et le processeur avant de démarrer votre système.
- La surchauffe peut facilement endommager le processeur et la carte mère. Assurez-vous toujours que le système de refroidissement fonctionne correctement pour protéger le processeur de la surchauffe. Assurez-vous d'appliquer une couche de pâte thermique (ou adhésif thermique) entre le processeur et le système de refroidissement afin d'améliorer la dissipation de la chaleur.
- Quand le processeur n'est pas installé, protégez toujours les broches de l'emplacement du processeur avec le couvercle dédié.
- Si vous avez acheté un processeur indépendamment du ventilateur, veuillez vous référer à la documentation dans le paquet du ventilateur pour plus d'informations concernant l'installation.
- Cette carte mère supporte l'overclocking. Néanmoins, veuillez vous assurer que vos composants soient capables de tolérer l'overclocking. Prenez note que l'utilisation au-delà des spécifications du constructeur n'est pas recommandée. MSI® ne garantit pas les dommages et risques causés par les utilisations non prévues dans les spécifications du produit.

Slots DIMM



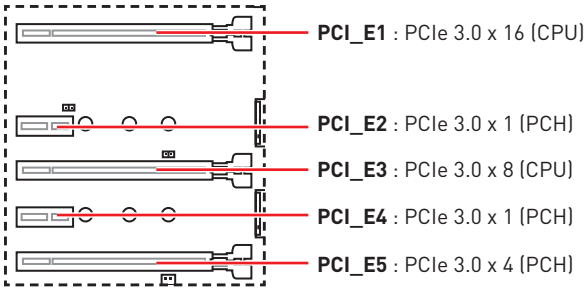
Installation recommandée de module mémoire



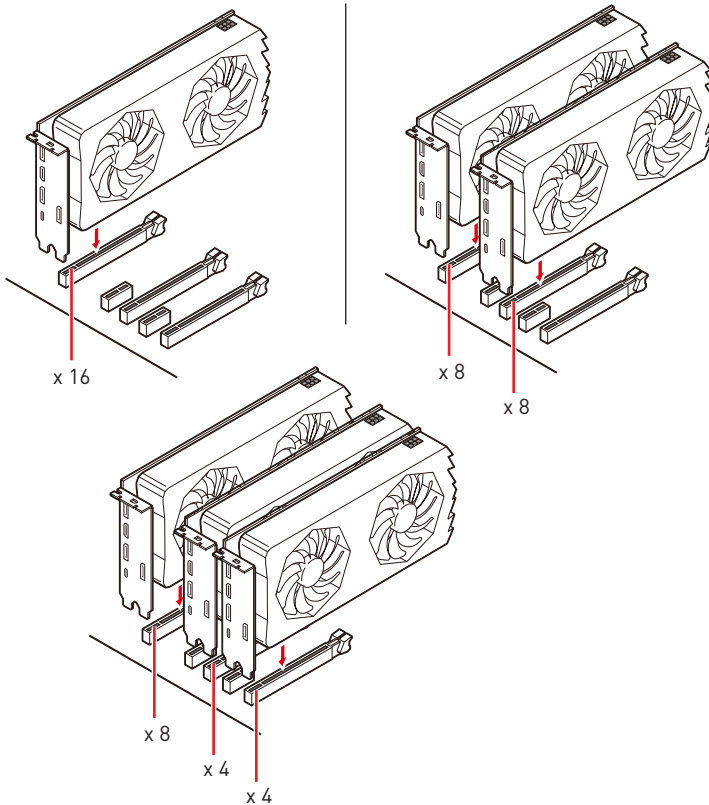
Important

- Veillez à toujours insérer un module de mémoire dans l'emplacement **DIMMA2** en premier.
- Pour garantir la stabilité du système au mode de double canal, assurez-vous d'installer les modules de mémoire du même type, du même nombre et de la même densité.
- Certaines mémoires peuvent fonctionner à une fréquence réduite par rapport à la valeur indiquée lors de l'overclocking car la fréquence d'opération de mémoire dépend du Serial Presence Detect (SPD). Rendez-vous sur le BIOS et choisissez la fonction **DRAM Frequency** pour régler la fréquence de mémoire si vous voulez faire fonctionner la mémoire à la fréquence indiquée ou à une fréquence plus élevée.
- Il est recommandé d'utiliser un système de refroidissement qui sera capable de refroidir toutes les barrettes mémoire et d'offrir de bonnes performances lors d'un overclocking.
- La stabilité et la compatibilité du module de mémoire lors de l'overclocking dépendent du processeur et des périphériques installés.
- Veuillez vous référer au site www.msi.com pour plus d'informations sur la mémoire compatible.

PCI_E1~5 : Slots d'extension PCIe



Installation recommandée pour une configuration multi-GPU



Important

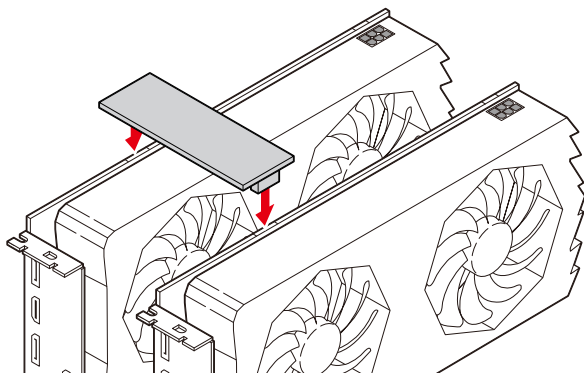
- Si vous installez une carte graphique lourde, il vous faut utiliser un outil comme la **barre de support MSI Gaming Series** pour supporter son poids et pour éviter la déformation du slot.
- Si vous choisissez d'installer une seule carte d'extension PCIe x 16, nous vous recommandons d'utiliser le slot **PCI_E1** pour profiter de performances optimales.
- Veillez à toujours mettre l'ordinateur hors tension et à débrancher le cordon d'alimentation avant d'installer les cartes d'extension. Référez-vous à la documentation des cartes pour vérifier si un composant ou un logiciel doit être modifié.

Installation des cartes graphiques SLI

Pour savoir quel type d'alimentation est recommandé pour une configuration SLI, veuillez vous référer au mode d'emploi de votre carte graphique, afin de parfaitement répondre à la demande du système.

Pour installer les cartes graphiques en SLI :

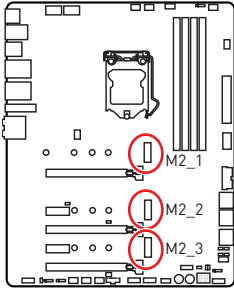
1. Eteignez votre ordinateur et déconnectez le cordon d'alimentation. Installez deux cartes graphiques dans les slots **PCI_E1** et **PCI_E3**.
2. Connectez les deux cartes graphiques avec un **pont SLI**.



3. Reliez tous les connecteurs d'alimentation PCIe des cartes graphiques.
4. Reconnectez le cordon d'alimentation, allumez votre ordinateur et installez les pilotes et logiciels fournis avec la carte graphique.
5. Faites un clic droit sur le bureau de Windows et choisissez NVIDIA Control Panel dans le menu, Cliquez sur Configurer SLI, Surround, PhysX dans l'onglet à gauche. Sélectionnez Maximize 3D performance dans le menu de configuration SLI et puis cliquez sur Apply.



M2_1~3 : Slots M.2 (Touche M)



Vidéo de démonstration

Référez-vous à la vidéo d'installation du module M.2.

<http://youtu.be/JCTFABytrYA>

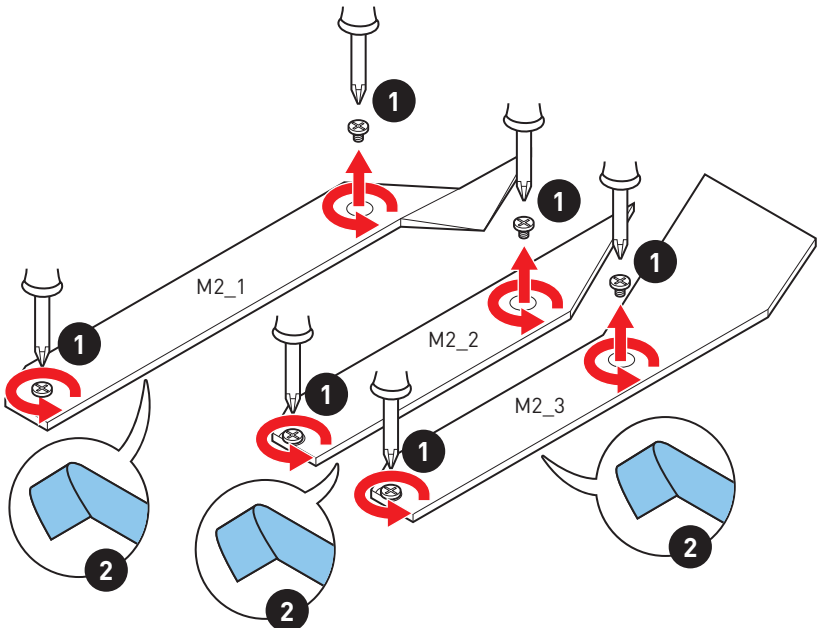


Important

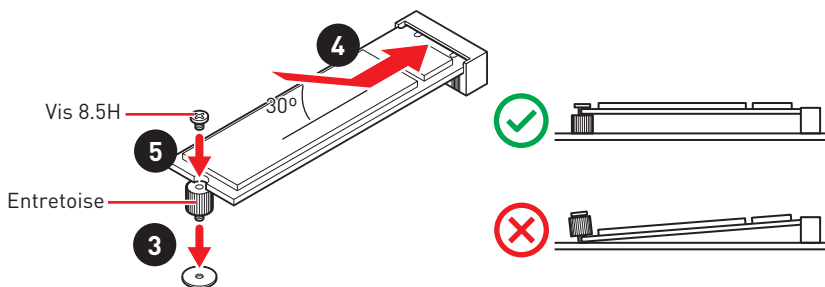
- La technologie Intel® RST supporte seulement un SSD M.2 PCIe avec une mémoire ROM UEFI.
- Intel® Optane™ Memory Ready pour le slot M.2.

Installation du module M.2

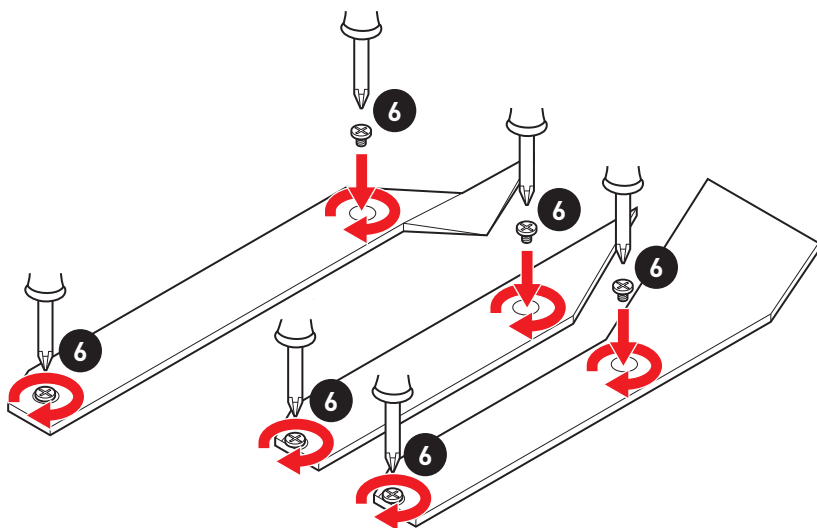
1. Desserrez la vis de la plaque M.2 SHIELD FROZR.
2. Retirez la plaque M.2 SHIELD FROZR et retirez le film de protection du pad thermique.



3. Si nécessaire, déplacez l'entretoise de manière à l'adapter à la longueur du SSD M.2.
4. Insérez votre SSD M.2 dans le slot M.2 à un angle de 30 degrés.
5. Fixez le SSD M.2 avec une vis M.2 8.5H.

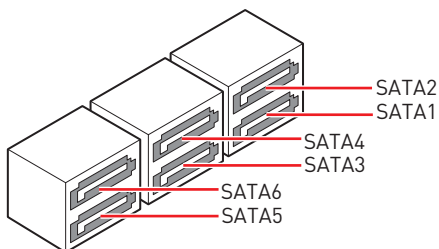
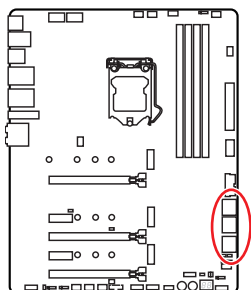


6. Remettez la plaque M.2 SHIELD FROZR en place et fixez-la.



SATA1~6 : Connecteurs SATA 6Gb/s

Ces connecteurs utilisent une interface SATA 6 Gb/s. Chaque connecteur peut être relié à un appareil SATA.



Important

- Veuillez ne pas plier les câbles SATA à 90° car cela pourrait entraîner une perte de données pendant la transmission.
- Les câbles SATA disposent de prises identiques sur chaque côté. Néanmoins, il est recommandé de connecter la prise plate sur la carte mère pour un gain d'espace.
- Le connecteur SATA2 est indisponible lorsqu'un SSD SATA M.2 est installé dans le slot M2_1.
- Les connecteurs SATA5 et SATA6 sont indisponibles lorsqu'un SSD M.2 est installé dans le slot M2_2.

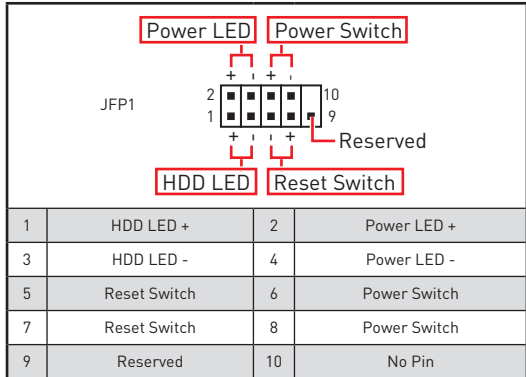
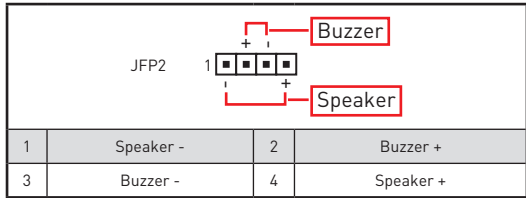
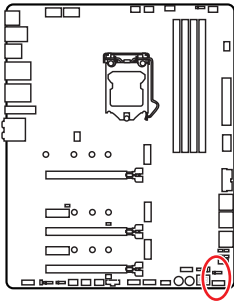
Table de combinaison M.2 et SATA

Slot	Connecteurs SATA disponibles					
	PCIe	SATA	PCIe	SATA	PCIe	SATA
M2_1	PCIe	SATA	PCIe	SATA	PCIe	SATA
M2_2	PCIe	PCIe	SATA	SATA	—	—
M2_3	le slot M2_3 supporte uniquement le format PCIe					
SATA1	✓	✓	✓	✓	✓	✓
SATA2	✓	—	✓	—	✓	—
SATA3	✓	✓	✓	✓	✓	✓
SATA4	✓	✓	✓	✓	✓	✓
SATA5	—	—	—	—	✓	✓
SATA6	—	—	—	—	✓	✓

(SATA : SSD M.2 SATA, PCIe : SSD M.2 PCIe, ✓ : disponible, — : indisponible)

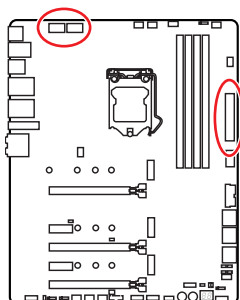
JFP1, JFP2 : Connecteurs de panneau avant

Ces connecteurs se lient aux interrupteurs et indicateurs LED du panneau avant.



CPU_PWR1~2, ATX_PWR1 : Connecteurs d'alimentation

Ces connecteurs vous permettent de relier une alimentation ATX.



1	Ground	5	+12V
2	Ground	6	+12V
3	Ground	7	+12V
4	Ground	8	+12V

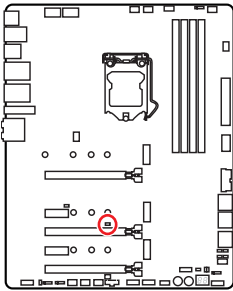
1	+3.3V	13	+3.3V
2	+3.3V	14	-12V
3	Ground	15	Ground
4	+5V	16	PS-ON#
5	Ground	17	Ground
6	+5V	18	Ground
7	Ground	19	Ground
8	PWR OK	20	Res
9	5VSB	21	+5V
10	+12V	22	+5V
11	+12V	23	+5V
12	+3.3V	24	Ground

Important

Veillez vous assurer que tous les câbles d'alimentation sont branchés aux connecteurs adéquats afin garantir une opération stable de la carte mère.

JBLK_U1 : Connecteur Fréquence de base

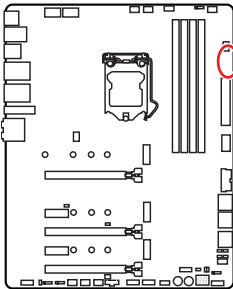
Vous pouvez utiliser ce connecteur pour y brancher un bouton externe. Appuyez sur ce bouton pour augmenter la fréquence de base du processeur.



JBLK_U1 (Utilisez un cavalier ici pour augmenter la fréquence de base du processeur)

V-Check Points Lite

Ces points de mesure de tension servent à mesurer les tensions du système. Un multimètre est nécessaire pour vérifier les tensions (multimètre non fourni). Pour vérifier la tension, placez les fils d'essai sur le GND (trou de montage de la vis) et un V-Check Point spécifique. Veuillez vous reporter au manuel de votre multimètre pour plus d'informations.



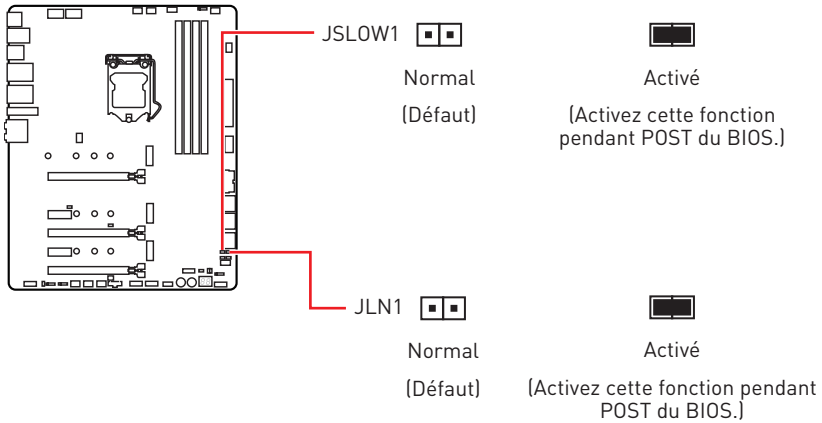
-  GND
-  VCCIO
-  VSA
-  DRAM
-  CPU

JLOW1 : Cavalier de démarrage du mode ralenti

Ce cavalier est utilisé pour la solution de refroidissement LN2, prenant en charge les conditions extrêmes d'overclocking, et assurent le démarrage du processeur à une fréquence stable, ce qui évite le crash du système.

JLN1 : Cavalier de démarrage à basse température

Ce cavalier est utilisé pour faire démarrer le système de refroidissement par azote liquide à une température extrêmement basse. Passez-le en Activé pour augmenter le taux de réussite de démarrage.

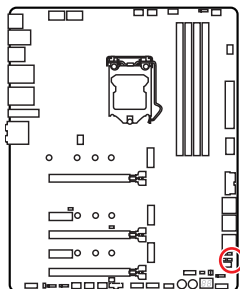


Important

- Les utilisateurs peuvent essayer l'overclocking à très basse température à leurs propres risques. Les résultats d'overclocking peuvent varier selon la version du CPU.
- Ne mettez pas ce cavalier en **Activé** quand le système est éteint ou ne peut pas être démarré.

JOC_RT1 : Bouton OC Retry

Ce connecteur vous permet de connecter un bouton. Lorsque vous appuyez sur le bouton et que vous le maintenez enfoncé, le système continuera à relancer l'overlocking jusqu'à ce qu'il réussisse à démarrer.



JOC_RT1 

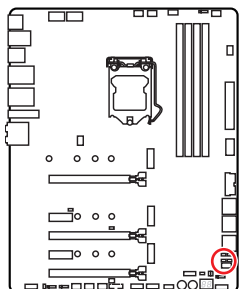
Normal
(défaut)




Retry OC

JOC_FS1 : Bouton OC Force Enter BIOS

Ce connecteur vous permet de connecter un bouton. Lorsque vous appuyez ce bouton, le système sera forcé dans le BIOS sans afficher le message OC_FAIL.



JOC_FS1 

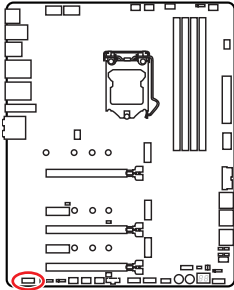
Normal
(défaut)

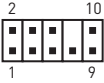


Forcer dans le
BIOS

JAUD1 : Connecteur audio avant

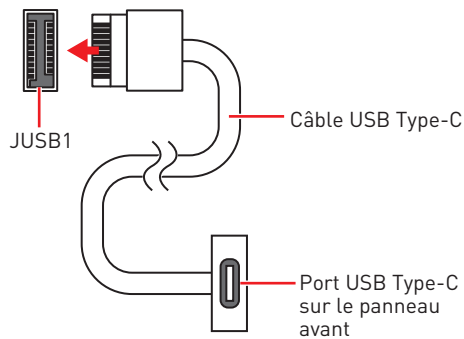
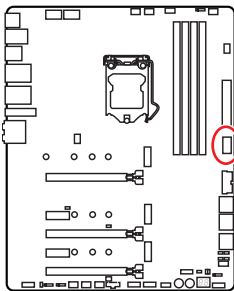
Ce connecteur se lie aux jacks audio du panneau avant.



			
1	MIC L	2	Ground
3	MIC R	4	NC
5	Head Phone R	6	MIC Detection
7	SENSE_SEND	8	No Pin
9	Head Phone L	10	Head Phone Detection

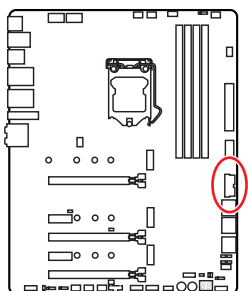
JUSB1 : Connecteur USB 3.2 Gen 2 Type-C

Ce connecteur vous permet de relier un port USB 3.2 Gen 2 Type-C sur le panneau avant. Pour plus de sécurité, ce connecteur a été conçu pour offrir une excellente robustesse. Quand vous connectez le câble, assurez-vous de le brancher dans le bon sens.



JUSB2 : Connecteur USB 3.2 Gen 1

Ce connecteur vous permet de relier un port USB 3.2 Gen 1 5Gbps sur le panneau avant.



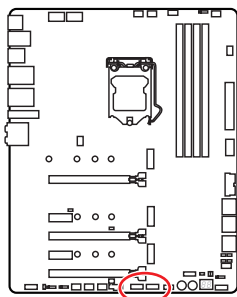
10		11	
1		20	
1	Power	11	USB2.0+
2	USB3_RX_DN	12	USB2.0-
3	USB3_RX_DP	13	Ground
4	Ground	14	USB3_TX_C_DP
5	USB3_TX_C_DN	15	USB3_TX_C_DN
6	USB3_TX_C_DP	16	Ground
7	Ground	17	USB3_RX_DP
8	USB2.0-	18	USB3_RX_DN
9	USB2.0+	19	Power
10	Ground	20	No Pin

Important

Notez que les câbles d'alimentation et de terre doivent être branchés correctement afin d'éviter d'endommager la carte.

JUSB3~4 : Connecteurs USB 2.0

Ces connecteurs vous permettent de relier des ports USB 2.0 sur le panneau avant.



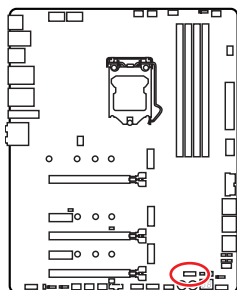
1	VCC	2	VCC
3	USB0-	4	USB1-
5	USB0+	6	USB1+
7	Ground	8	Ground
9	No Pin	10	NC

Important

- Notez que les broches VCC et Terre doivent être branchées correctement afin d'éviter tout dommage sur la carte mère.
- Pour recharger votre iPad, iPhone et iPod par l'intermédiaire d'un port USB, veuillez installer l'utilitaire MSI® DRAGON CENTER.

JTPM1 : Connecteur de module TPM

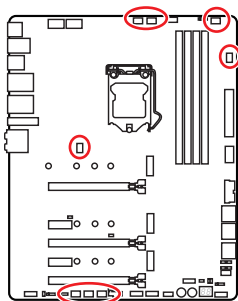
Ce connecteur est relié à un module TPM (Trusted Platform Module). Veuillez vous référer au manuel du module TPM pour plus d'informations.



1	SPI Power	2	SPI Chip Select
3	Master In Slave Out (SPI Data)	4	Master In Slave In (SPI Data)
5	Reserved	6	SPI Clock
7	Ground	8	SPI Reset
9	Reserved	10	No Pin
11	Reserved	12	Interrupt Request

CPU_FAN1, PUMP_FAN1, SYS_FAN1~6 : Connecteurs pour ventilateurs

Les connecteurs pour ventilateurs peuvent être utilisés en mode PWM (Pulse Width Modulation) et en mode DC. En mode PWM, les connecteurs fournissent une sortie de 12V constante et ajustent la vitesse des ventilateurs avec un signal de contrôle de vitesse. En mode DC, les connecteurs contrôlent la vitesse des ventilateurs en modifiant la tension. Vous pouvez suivre les instructions ci-dessous pour régler le connecteur de ventilateur en mode PWM ou mode DC.



Connecteurs pour ventilateurs en mode PWM par défaut



CPU_FAN1/PUMP_FAN1

Connecteurs pour ventilateurs en mode DC par défaut



SYS_FAN1/SYS_FAN5

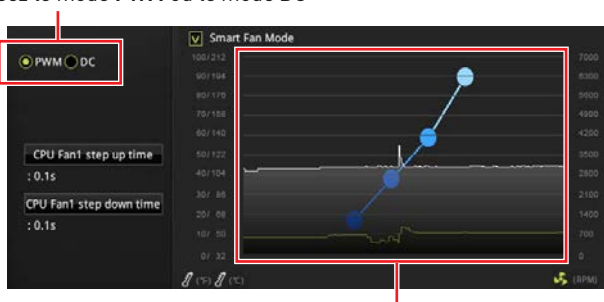


SYS_FAN2-4/SYS_FAN6

Basculer entre les modes des ventilateurs et ajuster la vitesse

Vous pouvez alterner entre le mode PWM et le mode DC et ajuster la vitesse des ventilateurs dans le **BIOS > HARDWARE MONITOR**.

Choisissez le mode **PWM** ou le mode **DC**



Il y a des points de gradient de la vitesse du ventilateur qui vous permet d'ajuster la vitesse de ventilateur par rapport à la température du processeur.

Important

Veillez vous assurer que les ventilateurs fonctionnent correctement après avoir basculé entre les modes PWM et DC.

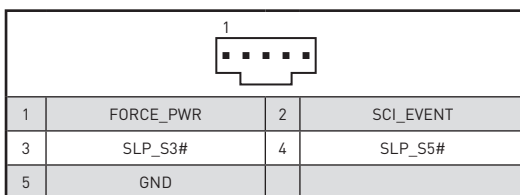
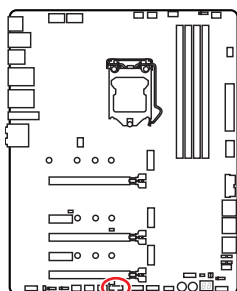
Définition des broches des connecteurs de ventilateur

Définition des broches en mode PWM			
1	Ground	2	+12V
3	Sense	4	Speed Control Signal

Définition des broches en mode DC			
1	Ground	2	Voltage Control
3	Sense	4	NC

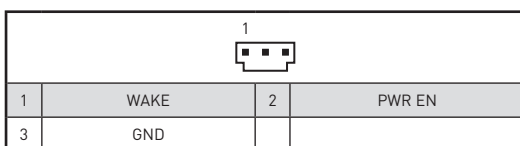
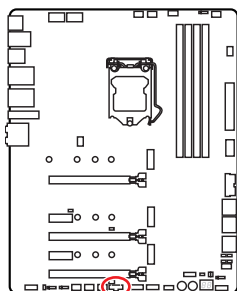
JTBT1 : Connecteur de carte additionnelle Thunderbolt

Ce connecteur vous permet de relier une carte additionnelle Thunderbolt E/S.



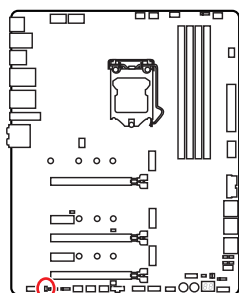
JRTD3 : Connecteur Intel RTD3

Ce connecteur vous permet de brancher le connecteur RTD3 sur la carte additionnelle Thunderbolt.



JCI1 : Connecteur intrusion châssis

Ce connecteur est relié à un câble d'interrupteur intrusion châssis.



Normal
(défaut)



Commencer l'activité
intrusion châssis

Utilisation du détecteur d'intrusion châssis

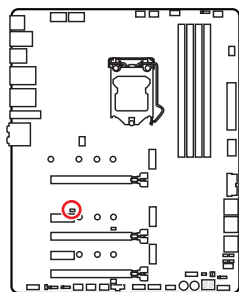
1. Reliez le connecteur **JCI1** à l'interrupteur ou au capteur d'intrusion châssis situé sur le boîtier du PC.
2. Fermez le couvercle du boîtier.
3. Allez dans le **BIOS > SETTINGS (Réglages) > Security (Sécurité) > Chassis Intrusion Configuration (Configuration intrusion châssis)**.
4. Réglez **Chassis Intrusion (intrusion châssis)** sur **Enabled (Activé)**.
5. Appuyez sur **F10** pour sauvegarder et quitter. Ensuite appuyez sur la touche **Enter (Entrée)** pour choisir **Yes (Oui)**.
6. Désormais, si le boîtier du PC est ouvert quand l'ordinateur est allumé, vous recevrez un message d'alerte à l'écran.

Réinitialisation de l'alerte intrusion châssis

1. Allez dans le **BIOS > SETTINGS (Réglages) > Security (Sécurité) > Chassis Intrusion Configuration (Configuration intrusion châssis)**.
2. Mettez **Chassis Intrusion (Intrusion châssis)** en **Reset (Remettre)**.
3. Appuyez sur **F10** pour sauvegarder et quitter. Ensuite appuyez sur la touche **Enter (Entrée)** pour choisir **Yes (Oui)**.

JBAT1 : Cavalier Clear CMOS (Réinitialisation BIOS)

Une mémoire CMOS est intégrée et est alimentée en externe par une batterie située sur la carte mère afin de conserver les données de configuration système. Si vous souhaitez nettoyer la configuration système, placez le cavalier sur Effacer CMOS de manière à nettoyer la mémoire CMOS.



Keep Data
(défaut)



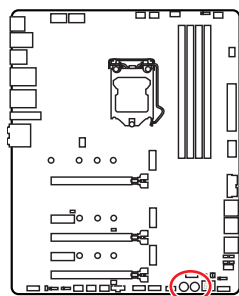
Effacer CMOS/
Réinitialiser BIOS

Réinitialiser le BIOS aux valeurs par défaut

1. Eteignez l'ordinateur et débranchez le câble d'alimentation de la prise électrique.
2. Utilisez un couvercle de cavalier pour fermer **JBAT1** pour environ 5-10 secondes.
3. Enlevez le couvercle de cavalier du **JBAT1**.
4. Branchez de nouveau le câble d'alimentation à votre ordinateur et allumez-le.

POWER1, RESET1 : Boutons d'alimentation et de réinitialisation

Les boutons d'alimentation et de réinitialisation vous permettent d'allumer ou de redémarrer l'ordinateur.



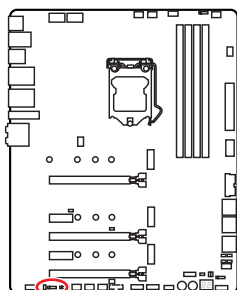
Bouton de
réinitialisation



Bouton
d'alimentation

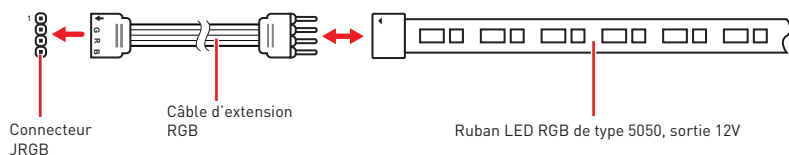
JRGB1 : Connecteurs LED RGB

Le connecteur JRGB vous permet de connecter un ruban LED RGB de type 5050 12V.

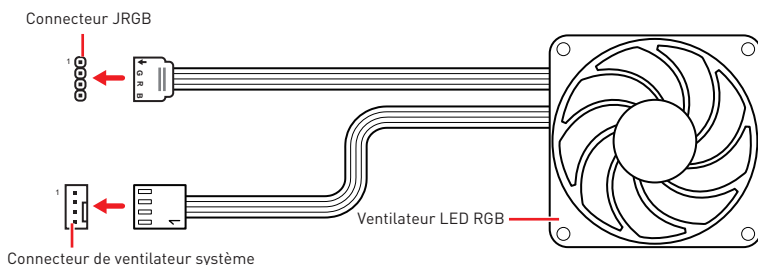


1			
1	+12V	2	G
3	R	4	B

Connexion du ruban LED RGB



Connexion du ventilateur LED RGB

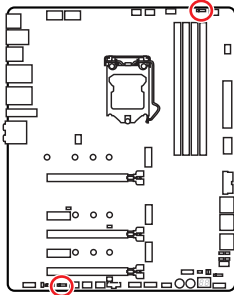


Important

- Le connecteur JRGB supporte des rubans LED RGB (12V/G/R/B) de type 5050 d'une longueur de 2 mètres maximum avec une puissance nominale maximale de 3A (12V).
- Avant d'installer ou de retirer le ruban LED RGB, veuillez à toujours éteindre l'alimentation et à débrancher le câble d'alimentation de la prise électrique.
- Veuillez utiliser un logiciel MSI dédié pour contrôler le ruban d'extension LED.

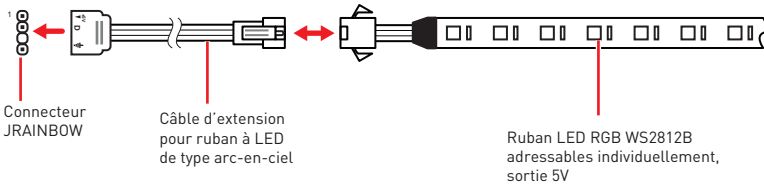
JRAINBOW1~2 : Connecteurs LED RGB adressables

Le connecteur JRAINBOW vous permet de connecter un ruban à LED RGB WS2812B adressables individuellement 5V.

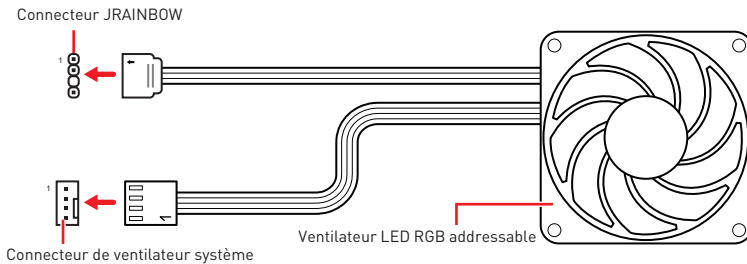


1 JRAINBOW1~2			
1	+5V	2	Data
3	No Pin	4	Ground

Connexion du ruban LED RGB adressable



Connexion du ventilateur LED RGB adressable



⚠ Attention

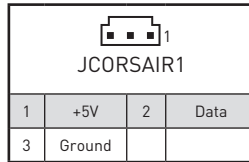
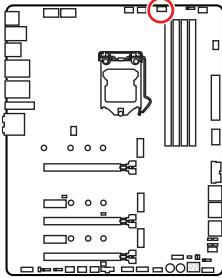
Faites attention à bien connecter le bon type de ruban LED. Le connecteur JRJGB et le connecteur JRAINBOW fournissent des tensions différentes. La connexion d'un ruban LED 5V au connecteur JRJGB peut endommager le ruban.

⚠ Important

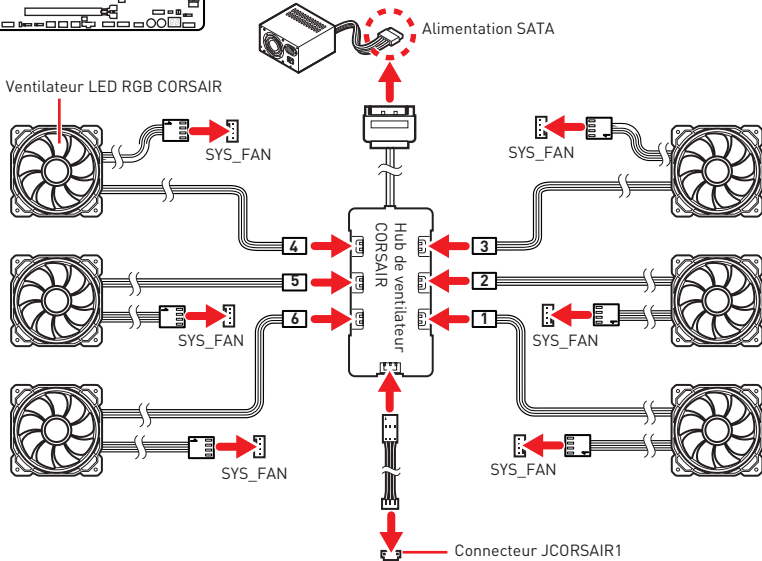
- Le connecteur JRAINBOW supporte jusqu'à des rubans 75 LEDs WS2812B adressables individuellement (5V/Data/Ground) avec une puissance nominale maximale de 3A (5V). Dans le cas d'une luminosité de 20%, le connecteur supporte jusqu'à 200 LED.
- Avant d'installer ou de retirer le ruban LED, veillez à toujours éteindre l'alimentation et à débrancher le câble d'alimentation de la prise électrique.
- Veuillez utiliser un logiciel MSI dédié pour contrôler le ruban d'extension LED.

JCORSAIR1 : Connecteur CORSAIR

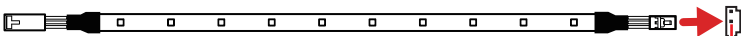
Le connecteur JCORSAIR1 vous permet de connecter un ruban à LED RGB Lighting PRO adressables individuellement 5V ou un ventilateur RGB de marque Corsair via un hub de ventilateur CORSAIR. Une fois que tous les éléments sont correctement connectés, vous pourrez contrôler les rubans et les ventilateurs LED RGB de marque CORSAIR avec un logiciel MSI dédié.



Connexion du ventilateur LED RGB de marque CORSAIR



Connexion du CORSAIR Lighting Node PRO



Connecteur JCORSAIR1

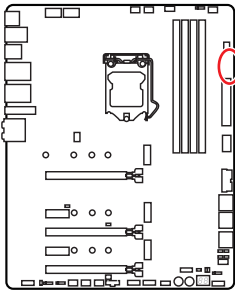
Important

- Veuillez connecter les ventilateurs en série 1 > 2 > 3 > 4 > 5 > 6. Tout ventilateur qui n'est pas connecté en série interrompra la communication et la fonction de rétroéclairage LED RGB ne fonctionnera pas.
- Le nombre de ventilateurs LED RGB ou de rubans LED RGB Lighting PRO supportés peut varier selon le modèle. Veuillez vous référer aux spécifications de la carte mère.
- Le ventilateur LED RGB de marque CORSAIR et CORSAIR Lighting Node PRO ne peuvent pas être utilisés en même temps.

Indicateurs LED embarqués

EZ Debug LED

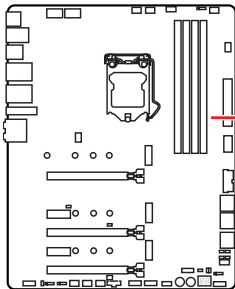
Ces LEDs indiquent l'état de débogage de la carte mère.



- CPU** - indique que le CPU n'est pas détecté ou que son initialisation a échoué.
- DRAM** - indique que la mémoire DRAM n'est pas détectée ou que son initialisation a échoué.
- VGA** - indique que le GPU n'est pas détecté ou que son initialisation a échoué.
- BOOT** - indique que le périphérique de démarrage n'est pas détecté ou que son initialisation a échoué.

Indicateur LED du mode XMP

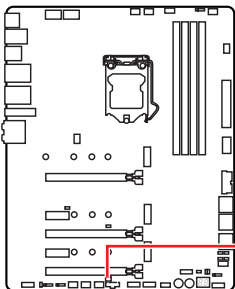
Cette LED indique que le mode XMP (Extreme Memory Profile) est activé.



Indicateur LED du mode XMP

JPWRLED1 : Indicateur LED de l'entrée d'alimentation

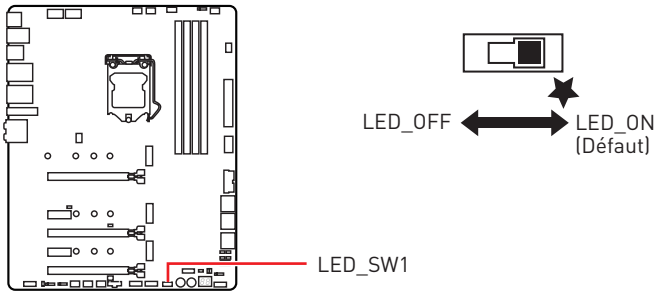
Ce connecteur est utilisé par les revendeurs pour faire une démonstration des effets de lumière des indicateurs LED.



JPWRLED1 - Indicateur LED de l'entrée d'alimentation

LED_SW1 : Contrôle EZ LED

Cet interrupteur est utilisé pour allumer et éteindre toutes les LED de la carte mère.



Debug Code LED

La Debug Code LED affiche les codes de progression et d'erreur pendant et après le processus de POST. Référez-vous au tableau de Debug Code LED pour plus de détails.

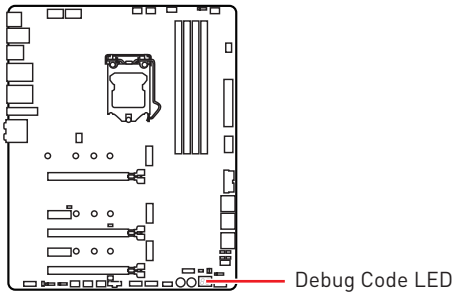


Tableau des caractères hexadécimaux

Hexadécimaux	0	1	2	3	4	5	6	7	8	9	A	B	C	D	E	F
Affichage de Debug Code LED	0	1	2	3	4	5	6	7	8	9	A	b	C	d	E	F

Phase de démarrage

Sécurité (SEC)- initialisation de très bas niveau

Initialisation Pre-EFI (PEI) – initialisation de la mémoire

Environnement d'exécution des pilotes (DXE) – initialisation du matériel principal

Sélection du périphérique de démarrage (BDS) – la configuration du système, l'interface d'utilisateur de pré-OS et la sélection d'un périphérique amorçable [CD/DVD, disque dur, USB, réseau, interface système, etc.]

Tableau de Debug Code LED

Codes de progression SEC

01	Sous tension. Détection du type de réinitialisation (soft/hard)
02	Initialisation AP avant chargement du microcode
03	Initialisation de l'agent système avant chargement du microcode
04	Initialisation PCH avant chargement du microcode
06	Chargement du microcode
07	Initialisation AP après chargement du microcode
08	Initialisation de l'agent système après chargement du microcode
09	Initialisation PCH après chargement du microcode
0B	Initialisation du cache

Codes d'erreur SEC

0C - 0D	Réservé aux futurs codes d'erreur AMI SEC
0E	Microcode introuvable
0F	Microcode non chargé

Codes de progression PEI

10	Le cœur PEI est lancé
11	L'initialisation de la pré-mémoire du processeur est lancée
12 - 14	Initialisation de la pré-mémoire du processeur (module processeur spécifique)
15	L'initialisation de la pré-mémoire de l'agent système est lancée
16 - 18	Initialisation de la pré-mémoire de l'agent système (module agent système spécifique)
19	L'initialisation de la pré-mémoire du PCH est lancée
1A - 1C	Initialisation de la pré-mémoire du PCH (module PCH spécifique)
2B	Initialisation de la mémoire. Lecture des données SPD
2C	Initialisation de la mémoire. Détection de présence de la mémoire
2D	Initialisation de la mémoire. Information sur la programmation de synchronisation de la mémoire
2E	Initialisation de la mémoire. Configuration de la mémoire
2F	Initialisation de la mémoire (autre)
31	Mémoire installée
32	L'initialisation de la post-mémoire du processeur est lancée
33	Initialisation de la post-mémoire du processeur. Initialisation du cache
34	Initialisation de la post-mémoire du processeur. Initialisation du ou des processeurs d'application (AP)
35	Initialisation de la post-mémoire du processeur. Sélection du processeur d'amorçage (BSP)
36	Initialisation de la post-mémoire du processeur. Initialisation du mode de gestion du système (SMM)
37	L'initialisation de la post-mémoire de l'agent système est lancée
38 - 3A	Initialisation de la post-mémoire de l'agent système (module agent système spécifique)

3B	L'initialisation de la post-mémoire du PCH est lancée
3C - 3E	Initialisation de la post-mémoire du PCH (module PCH spécifique)
4F	DXE IPL est lancé

Codes d'erreur PEI

50	Erreur d'initialisation de la mémoire. Type de mémoire invalide ou vitesse de mémoire incompatible
51	Erreur d'initialisation de la mémoire. La lecture du SPD a échoué
52	Erreur d'initialisation de la mémoire. Taille de mémoire invalide ou modules de mémoire incompatibles
53	Erreur d'initialisation de la mémoire. Aucune mémoire utilisable n'est détectée
54	Erreur d'initialisation de la mémoire non spécifiée
55	Mémoire non installée
56	Type de processeur ou vitesse invalide
57	Le processeur ne correspond pas
58	Echec de l'auto-test du processeur ou possibilité d'erreur du cache du processeur
59	Le microcode du processeur est introuvable ou la mise à jour du microcode a échoué
5A	Erreur du processeur interne
5B	La réinitialisation PPI n'est pas disponible
5C - 5F	Réservé aux futurs codes d'erreur AMI

Codes de progression DXE

60	Le coeur DXE est lancé
61	Initialisation de la NVRAM
62	Installation des services d'exécution du PCH
63	L'initialisation du processeur DXE est lancée
64 - 67	Initialisation du processeur DXE (module processeur spécifique)
68	Initialisation du pont hôte PCI
69	L'initialisation de l'agent système DXE est lancée
6A	L'initialisation de l'agent système DXE SMM est lancée
6B - 6F	Initialisation de l'agent système DXE (module agent système spécifique)
70	L'initialisation du PCH DXE est lancée
71	L'initialisation du PCH DXE SMM est lancée
72	Initialisation des périphériques du PCH
73 - 77	Initialisation du PCH DXE (module PCH spécifique)
78	Initialisation du module ACPI
79	Initialisation CSM
7A - 7F	Réservé aux futurs codes AMI DXE
90	La phase de sélection du périphérique de démarrage (BDS) est lancée
91	La connexion du pilote est lancée
92	L'initialisation du bus PCI est lancée

93	Initialisation du contrôleur de branchement à chaud du bus PCI
94	Enumération du bus PCI 32
95	Demande des ressources du bus PCI
96	Distribution des ressources du bus PCI
97	Connexion du périphérique de sortie de console
98	Connexion du périphérique d'entrée de console
99	Initialisation Super IO
9A	L'initialisation USB est lancée
9B	Réinitialisation USB
9C	Détection USB
9D	USB activée
9E -9F	Réservé aux futurs codes AMI
A0	L'initialisation IDE est lancée
A1	Réinitialisation IDE
A2	Détection IDE
A3	IDE activé
A4	L'initialisation SCSI est lancée
A5	Réinitialisation SCSI
A6	Détection SCSI
A7	SCSI activé
A8	Configuration de vérification du mot de passe
A9	Démarrage de la configuration
AB	Configuration de l'attente d'entrée
AD	Evénement Prêt à démarrer
AE	Evénement de démarrage du mode Legacy Boot (Démarrage hérité)
AF	Quitter l'événement des services de démarrage
B0	Début de temps de définition d'adresse virtuelle MAP
B1	Fin de temps de définition d'adresse virtuelle MAP
B2	Initialisation des options Legacy de la mémoire ROM
B3	Réinitialisation du système
B4	Branchement à chaud de la USB
B5	Branchement à chaud du bus PCI
B6	Nettoyage de la NVRAM
B7	Réinitialisation de la configuration (réinitialisation des paramètres NVRAM)
B8 - BF	Réservé aux futurs codes AMI

Codes d'erreur DXE

D0	Erreur d'initialisation du processeur
D1	Erreur d'initialisation de l'agent système

D2	Erreur d'initialisation du PCH
D3	Certains protocoles architecturaux ne sont pas disponibles
D4	Erreur d'allocation des ressources PCI. Manque de ressources
D5	Aucun espace pour les options Legacy de la mémoire ROM
D6	Aucun périphérique de sortie de console n'est trouvé
D7	Aucun périphérique d'entrée de console n'est trouvé
D8	Mot de passe invalide
D9	Erreur lors du chargement de l'option de démarrage (erreur LoadImage)
DA	Echec de l'option de démarrage (erreur StartImage)
DB	Echec de la mise à jour du flash
DC	Le protocole de réinitialisation n'est pas disponible

Codes de progression de reprise S3

E0	La reprise S3 est lancée (le PPI de reprise S3 est appelé par le DXE IPL)
E1	Exécution du Boot Script S3
E2	Reposter la vidéo
E3	Appel du vecteur d'éveil S3 du système d'exploitation
E4 - E7	Réservé aux futurs codes de progression AMI

Codes d'erreur de reprise S3

E8	Echec de reprise S3
E9	Reprise S3 PPI introuvable
EA	Erreur de script de reprise démarrage S3
EB	Erreur de réveil du système d'exploitation S3
EC - EF	Réservé aux futurs codes d'erreur AMI

Codes de progression de la récupération

F0	Condition de récupération déclenchée par le firmware (récupération automatique)
F1	Condition de récupération déclenchée par l'utilisateur (récupération forcée)
F2	Le processus de récupération est lancé
F3	L'image de la récupération du firmware est trouvée
F4	L'image de la récupération du firmware est chargée
F5 - F7	Réservé aux futurs codes de progression AMI

Codes d'erreur de récupération

F8	La récupération PPI n'est pas disponible
F9	La capsule de récupération est introuvable
FA	Capsule de récupération invalide
FB - FF	Réservé aux futurs codes d'erreur AMI

Codes d'état ACPI

Les codes suivants apparaissent après le démarrage et après l'entrée du système d'exploitation en mode ACPI.

01	Le système entre en état de veille S1
02	Le système entre en état de veille S2
03	Le système entre en état de veille S3
04	Le système entre en état de veille S4
05	Le système entre en état de veille S5
10	Le système sort de l'état de mode veille S1
20	Le système sort de l'état de mode veille S2
30	Le système sort de l'état de mode veille S3
40	Le système sort de l'état de mode veille S4
AC	Le système est passé en mode ACPI. Le contrôleur d'interruption est en mode PIC.
AA	Le système est passé en mode ACPI. Le contrôleur d'interruption est en mode APIC.

Température du processeur

00 - 99	Affiche la température du processeur après le démarrage complet du système d'exploitation.
---------	--

Installer OS, Pilotes et Utilitaires

Veillez vous référer au site www.msi.com pour télécharger et mettre à jour les derniers utilitaires et pilotes.

Installer Windows® 10

1. Allumez l'ordinateur.
2. Insérez le disque ou la clé USB d'installation de Windows® 10 dans votre ordinateur.
3. Appuyez sur le bouton **Redémarrer (Restart)** du boîtier de l'ordinateur.
4. Appuyez sur la touche **F11** pendant le POST (Power-On Self Test) du système pour entrer dans le menu de démarrage.
5. Choisissez le disque ou la clé USB d'installation de Windows® 10 dans le menu de démarrage.
6. Appuyez sur n'importe quelle touche lorsqu'apparaît le message **[Appuyez sur n'importe quelle touche pour démarrer du CD ou du DVD] (Press any key to boot from CD or DVD)**.
7. Suivez les instructions à l'écran pour installer Windows® 10.

Installer les pilotes

1. Allumez l'ordinateur sous Windows® 10.
2. Insérez la clé USB MSI® dans le port USB.
3. Cliquez sur la fenêtre pop-up **Choisir quoi faire avec ce disque (Select to choose what happens with this disc)**, puis choisissez **Lancer DVDSetup.exe (Run DVDSetup.exe)** pour ouvrir l'outil d'installation. Si vous désactivez la fonction AutoPlay dans le panneau de configuration Windows, vous pouvez quand même exécuter manuellement **DVDSetup.exe** à partir du chemin d'accès depuis la racine de la clé USB MSI.
4. L'outil d'installation trouvera et listera tous les pilotes dont vous avez besoin dans l'onglet **Pilotes / Logiciels (Drivers/Software)**.
5. Cliquez sur le bouton **Installer (Install)** dans le coin inférieur droit de la fenêtre.
6. L'installation des pilotes commence. Une fois terminée, il vous sera demandé de redémarrer.
7. Cliquez sur le bouton **OK** pour terminer.
8. Redémarrez votre ordinateur.

Installer les utilitaires

Avant d'installer les utilitaires, il faut compléter l'installation des pilotes.

1. Ouvrez l'outil d'installation comme décrit ci-dessus.
2. Cliquez sur l'onglet **Utilitaires (Utilities)**.
3. Choisissez les utilitaires que vous voulez installer.
4. Cliquez sur le bouton **Installer (Install)** dans le coin inférieur droit de la fenêtre.
5. L'installation des utilitaires commence. Une fois terminée, il vous sera demandé de redémarrer.
6. Cliquez sur le bouton **OK** pour terminer.
7. Redémarrez votre ordinateur.

UEFI BIOS

Le BIOS UEFI de MSI est compatible avec l'architecture UEFI (Unified Extensible Firmware Interface). L'infrastructure du firmware du BIOS UEFI présente de nombreuses nouvelles fonctionnalités et avantages que le BIOS traditionnel ne peut pas atteindre. Il supportera complètement les futurs PC et les appareils conformes à l'architecture du firmware UEFI.



Important

Dans ce guide d'utilisation, le terme BIOS se réfère au BIOS UEFI, sauf indication contraire.

Avantages de l'UEFI

- Démarrage rapide - L'UEFI peut démarrer directement le système d'exploitation et enregistrer le processus d'autotest du BIOS. Il élimine également le temps à attendre pour passer en mode CSM pendant le POST.
- Prend en charge des partitions de disque dur supérieures à 2 To.
- Prend en charge plus de 4 partitions principales avec une table de partition GUID (GPT).
- Prend en charge un nombre illimité de partitions.
- Prend en charge toutes les capacités de nouveaux appareils - les nouveaux appareils peuvent ne pas fournir de compatibilité descendante.
- Prend en charge le démarrage sécurisé - L'UEFI peut vérifier la validité du système d'exploitation pour s'assurer qu'aucun malware ne perturbe le processus de démarrage.

Cas d'incompatibilité avec l'UEFI

- **Système d'exploitation Windows 32 bits** - cette carte mère supporte uniquement le système d'exploitation 64 bits.
- **Carte graphique ancienne** - le système détectera votre carte graphique. Un message d'avertissement apparaît si **aucun support GOP (Graphics Output Protocol) n'est détecté sur cette carte graphique**.

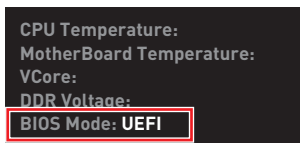


Important

Nous vous recommandons de remplacer votre carte graphique par un modèle compatible GOP/UEFI ou d'utiliser la puce graphique intégrée à votre processeur pour profiter d'un fonctionnement normal.

Comment vérifier le mode BIOS ?

Après être entré dans le BIOS, recherchez le mode BIOS en haut de l'écran.



Mode de démarrage UEFI

Configuration du BIOS

Les réglages par défaut fournissent une performance optimale pour la stabilité du système en conditions normales. Veuillez à **toujours garder les réglages par défaut** pour éviter d'endommager le système ou tout problème au démarrage, sauf si vous êtes familier avec le BIOS.

Important

- *Le BIOS est constamment mis à jour afin d'offrir de meilleures performances système. Par conséquent, la description peut différer selon la version de BIOS utilisée et n'est donc donnée qu'à titre de référence. Vous pouvez aussi vous référer à l'onglet **Help (Aide)** pour obtenir la description des fonctions du BIOS.*
- *Les photos ne sont données qu'à titre de référence et peuvent varier selon le produit que vous achetez.*
- *Les éléments du BIOS peuvent varier selon le processeur.*

Entrer dans l'interface Setup du BIOS

Pendant le démarrage, lorsqu'apparaît le message "**Press DEL key to enter Setup Menu, F11 to enter Boot Menu**" sur l'écran, veuillez appuyer sur la touche **Suppr.**

Touches de fonction

- F1** : Aide générale
- F2** : Ajouter ou supprimer un élément favori
- F3** : Entrer dans le menu Favoris
- F4** : Entrer dans le menu de réglages du processeur
- F5** : Entrer dans le menu Memory-Z
- F6** : Charger les réglages par défaut
- F7** : Alternner entre le mode avancé et le mode simplifié
- F8** : Charger le profil d'overclocking
- F9** : Sauvegarder le profil d'overclocking
- F10** : Sauvegarder les modifications et réglages*
- F12** : Prendre une capture d'écran et la conserver dans la clé USB (au format FAT / FAT32 uniquement)
- Ctrl+F** : Entrer dans la page de recherche

* Lorsque vous appuyez sur F10, une fenêtre de confirmation apparaît et fournit l'information de modification. Choisissez entre Oui et Non pour confirmer.

Réinitialiser le BIOS

Il se peut que vous ayez besoin de récupérer les réglages BIOS par défaut pour résoudre des problèmes. Pour réinitialiser les réglages du BIOS, veuillez suivre l'une des méthodes suivantes :

- Allez dans le Setup du BIOS et appuyez sur **F6** pour charger les réglages par défaut.
- Court-circuitez le cavalier **Clear CMOS** sur la carte mère.
- Appuyez sur le bouton **Clear CMOS** sur le panneau arrière Entrée/Sortie.



Important

Assurez-vous que l'ordinateur est éteint avant d'effacer les données CMOS. Veuillez vous référer à la section cavalier / bouton **Clear CMOS** pour en savoir plus sur la réinitialisation du BIOS.

Mettre le BIOS à jour

Mettre le BIOS à jour avec M-FLASH

Avant la mise à jour :

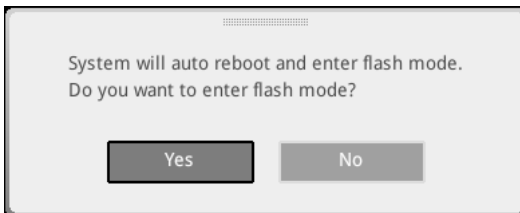
Veillez télécharger la dernière version de BIOS compatible à votre carte mère sur le site MSI. Ensuite, veuillez sauvegarder le nouveau BIOS sur la clé USB.

Mettre le BIOS à jour :

1. Connectez la clé USB contenant le profil à le port USB.
2. Veuillez vous référer aux méthodes suivantes pour passer en mode flash.
 - Redémarrez et appuyez sur la touche **Ctrl + F5** pendant le processus de POST et cliquez sur **Yes (Oui)** pour redémarrer le système.

Press <Ctrl+F5> to activate M-Flash for BIOS update.

- Redémarrez et appuyez sur la touche **Del** pendant le processus de POST pour entrer dans l'interface du BIOS. Cliquez le bouton **M-FLASH** et cliquez sur **Yes (Oui)** pour redémarrer le système.



3. Choisissez un profil BIOS pour commencer la mise à jour du BIOS.
4. Lorsque vous y êtes invité, cliquez sur **Yes (Oui)** pour lancer la restauration du BIOS.
5. Une fois la mise à jour terminée, le système redémarrera automatiquement.

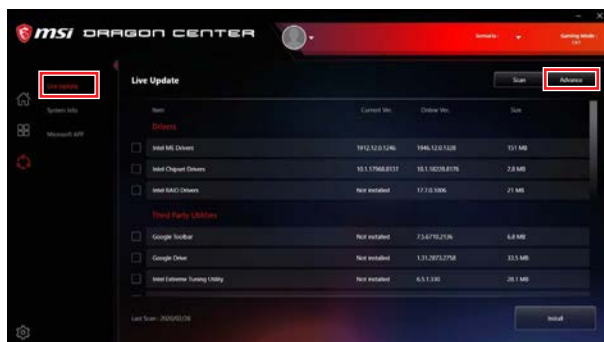
Mettre le BIOS à jour avec MSI DRAGON CENTER

Avant la mise à jour :

Assurez-vous que le lecteur LAN est bien installé et que l'ordinateur est correctement connecté à internet.

Mettre le BIOS à jour :

1. Installez et lancez MSI DRAGON CENTER et accédez à la page **Support**.
2. Choisissez **Live Update** et cliquez sur le bouton **Advanced**.



3. Cliquez sur le bouton **Scan** pour rechercher la dernière version du BIOS.
4. Choisissez le profil BIOS et cliquez sur l'icône **Download** pour télécharger et installer la dernière version du BIOS.
5. Cliquez sur **Next (Suivant)** et choisissez le mode **In Windows**. Ensuite, cliquez sur **Next (Suivant)** et **Start (Commencer)** pour lancer la mise à jour du BIOS.
6. Une fois la mise à jour terminée, le système redémarrera automatiquement.

Mettre le BIOS à jour avec Bouton Flash BIOS

1. Veuillez télécharger la dernière version du BIOS compatible à votre carte mère sur le site MSI®.
2. Renommez le BIOS en **MSI.ROM**. Ensuite, veuillez sauvegarder le profil MSI.ROM sur le répertoire racine de la clé USB.
3. Connectez l'alimentation aux connecteurs **CPU_PWR1** et **ATX_PWR1**. (Pas besoin d'installer le processeur et la mémoire.)
4. Branchez la clé USB contenant le fichier MSI.ROM au **Port Flash BIOS** situé sur le panneau arrière Entrée/Sortie.
5. Appuyez sur le bouton **Flash BIOS** pour activer le BIOS, et le bouton LED commence à clignoter.
6. Une fois le processus terminé, la LED s'éteint.

- **Langue** - vous permet de choisir la langue du BIOS.
- **Informations du système** - montre la vitesse et la tension du processeur et de la mémoire, la température du processeur et de la carte mère, le type de carte mère et de processeur, la capacité mémoire, la version du BIOS et la date d'installation.
- **Barre priorité de périphérique démarrage** - vous pouvez déplacer les icônes dédiés aux périphériques pour modifier la priorité au démarrage. Le sens de la priorité va de gauche à droite.
- **Informations des composants** - cliquez sur les boutons **CPU, Memory, Storage, Fan Info** et **Help** pour afficher les informations du composant connecté.
- **Boutons de fonction** - activez ou désactivez ces fonctions en cliquant sur ces boutons. La fonction est activée lorsque le bouton affiche **ON**.



Important

Les boutons de fonction peuvent varier selon la carte mère que vous achetez.

- **M-Flash** - cliquez sur ce bouton pour entrer dans le menu **M-Flash** qui fournit la méthode de mise à jour BIOS à l'aide d'un disque flash USB.
- **Moniteur de matériel** - cliquez sur ce bouton pour entrer dans le menu **Hardware Monitor** qui vous permet de contrôler manuellement la vitesse des ventilateurs.

- **Favoris** - cliquez sur ce bouton ou appuyez sur la touche **F3** pour afficher la fenêtre **Favoris**. Il fournit 5 menus pour vous de créer un menu BIOS personnalisé où vous pourrez sauvegarder et accéder à vos réglages favoris ou fréquemment utilisés.



▪ **Ajouter un élément du BIOS au menu Favoris**

1. Sélectionnez un élément du BIOS pas seulement dans le menu du BIOS mais également sur la page de recherche.
2. Faites un clic droit ou appuyez sur la touche **F2**.
3. Choisissez une page de favoris et cliquez sur **OK**.



▪ **Supprimer un élément du BIOS du menu des favoris**

1. Sélectionnez un élément du BIOS dans le menu Favoris.
2. Faites un clic droit ou appuyez sur la touche **F2**.
3. Choisissez **Delete (Effacer)** et cliquez sur **OK**.



Advanced Mode (mode avancé)

Appuyez sur le **Setup Mode switch (interrupteur de modes de réglages)** ou sur la touche de fonction **F7** pour commuter entre le mode simplifié et le mode avancé.



- **Sélection du menu BIOS** - les options suivantes sont disponibles :
 - **SETTINGS (Réglages)** - permet de personnaliser les paramètres du chipset et du démarrage des périphériques.
 - **OC** - permet d'ajuster la fréquence et la tension. L'augmentation de la fréquence peut améliorer les performances.
 - **M-FLASH** - permet de mettre le BIOS à jour avec un lecteur flash USB.
 - **OC PROFILE** - permet de gérer les profils d'overclocking.
 - **HARDWARE MONITOR (Moniteur de matériel)** - permet de régler la vitesse des ventilateurs et de surveiller la tension du système.
 - **BOARD EXPLORER** - fournit des informations sur les périphériques installés sur la carte mère.
- **Ecran de menu** - affiche les menus de réglages BIOS et les informations à configurer.

OC Menu (menu overclocking)

Ce menu vous permet de configurer les fréquences et les tensions pour l'overclocking. Veuillez noter que l'augmentation de la fréquence et de la tension peut être bénéfique à la qualité de l'overclocking mais peut également causer l'instabilité du système.



Important

- L'overclocking manuel du PC n'est recommandé que pour les utilisateurs avancés.
- L'overclocking n'est pas garanti et une mauvaise manipulation peut rendre nulle votre garantie et sévèrement endommager votre matériel.
- Si vous n'êtes pas familier avec l'overclocking, nous vous recommandons d'utiliser **GAME BOOST** pour un overclocking simplifié et plus stable.
- Les éléments du BIOS dans le menu OC peuvent varier selon le processeur.

► **OC Explore Mode [Expert]**

Active ou désactive le mode Normal ou Expert des réglages OC.

[Normal] Fournit les réglages OC standards dans les réglages BIOS.

[Expert] Fournit les réglages OC avancés pour les utilisateurs avancés et à configurer dans les réglages BIOS.

Remarque : Nous utilisons le symbole * pour indiquer les réglages OC du mode Expert.

► **Extreme OC Setup [Disabled]***

Définit le réglage BIOS optimal pour un overclocking extrême.

► **CPU Ratio Apply Mode [All Core]***

Règle le mode d'application en cours pour le ratio. Ce menu n'apparaît que si le processeur installé est compatible avec **Turbo Boost**.

► **CPU Ratio [Auto]**

Définit le ratio servant à déterminer la vitesse d'horloge du processeur. Ce menu n'apparaît que lorsque **CPU Ratio Apply Mode** est réglé sur **All Core**.

► **X-Core Ratio Limit [Auto]**

Permet de définir le ratio du processeur pour différent nombre de cœurs actifs. Ces menus n'apparaissent que lorsque **CPU Ratio Apply Mode** est réglé sur **Turbo Ratio**.

► **Numbers of CPU Cores of Group X [Auto]***

Définit le nombre de cœurs CPU et le met en groupe pour exécuter le ratio turbo du CPU cible. Le groupe suivant doit avoir plus de cœurs CPU que le groupe précédent. Ces menus n'apparaissent que lorsque **CPU Ratio Apply Mode** est réglé sur **Turbo Ratio**.

► **Target CPU Turbo Ratio Group X [Auto]**

Définit la valeur cible du ratio turbo CPU pour le groupe de cœurs CPU assigné. La valeur cible du ratio turbo CPU ne doit pas être supérieure à la précédente. Ces menus n'apparaissent que lorsque **CPU Ratio Apply Mode** est réglé sur **Turbo Ratio**.

► **Adjusted CPU Frequency**

Montre la fréquence ajustée du processeur. Fonctionne uniquement en lecture seule.

► **Core X X of X xxxx MHz [Auto]**

Permet de définir le ratio du processeur pour différent nombre de cœurs actifs. Ces menus n'apparaissent que lorsque **CPU Ratio Apply Mode** est réglé sur **Per Core**.

► **Turbo Ratio Offset Value [Auto]**

Définit la valeur de décalage du ratio turbo CPU. Ce menu n'apparaît que lorsque **CPU Ratio Apply Mode** est mis en **Turbo Ratio Offset**.

► **CPU Ratio Mode [Dynamic Mode]***

Choisit le mode d'opération du ratio du processeur. Ce menu apparaît lorsque vous réglez le ratio manuellement.

[Fixed Mode] Fixe le ratio.

[Dynamic Mode] Le ratio sera modifié dynamiquement selon la charge du processeur.

► **CPU Ratio Offset When Running AVX [Auto]**

Définit une valeur de décalage pour réduire le ratio du cœur CPU. Cela est utile pour la dissipation de chaleur lors de l'exécution du jeu d'instruction AVX. Mis en Auto, le BIOS configure ce réglages automatiquement. Ce menu apparaît lorsque le processeur installé prend cette fonction en charge.

► **Ring Ratio [Auto]**

Définit le ratio Ring (soit du cache du processeur). La gamme de valeurs valides dépend du processeur installé.

► **Adjusted Ring Frequency**

Montre la fréquence Ring modifiée. Fonctionne uniquement en lecture seule.

► **GT Ratio [Auto]**

Règle le ratio de la puce graphique intégrée. La gamme de valeur valides dépend du processeur installé.

► **Adjusted GT Frequency**

Montre la fréquence de la puce graphique intégrée modifiée. Fonctionne en lecture seule.

► **+Misc Setting***

Appuyez sur les touches Entrée et + ou - pour ouvrir ou fermer les paramètres suivants, relatifs aux fonctionnalités du processeur.

► **CPU Base Clock (MHz) [Default]**

Définit le fréquence de base du processeur. Vous pouvez overclocker le processeur en ajustant sa valeur. Veuillez noter que les résultats de l'overclocking ne sont pas garantis. Ce menu est seulement disponible si le processeur installé supporte cette fonction.

► CPU Base Clock Apply Mode [Auto]*

Définit le mode d'application pour le réglage de la fréquence de base du processeur.

[Auto] Ce réglage est configuré automatiquement par le BIOS.

[Next Boot] Le processeur fonctionne avec une fréquence de base paramétrée pour le prochain démarrage.

[Immediate] Le processeur fonctionne avec une fréquence de base paramétrée immédiatement.

► Clockgen Features sub-menu

Appuyez sur la touche **Entrée** pour entrer dans le sous-menu. Définit les fonctionnalités détaillées de clockgen.

► Extreme Memory Profile (XMP) [Disabled]

La technologie d'overclocking X.M.P. (Extreme Memory Profile) permet un overclocking par l'intermédiaire du module de mémoire. Activez la technologie XMP ou sélectionnez un profil de module de mémoire pour overclocker la mémoire. Ce menu est seulement disponible si vous disposez de modules de mémoire prenant en charge la technologie **XMP**.

► DRAM Reference Clock [Auto]*

Définit la valeur d'horloge de référence de la mémoire. La gamme de valeur valide dépend du processeur installé. Ce menu est seulement disponible si le processeur installé supporte cette fonction.

► DRAM Frequency [Auto]

Définit la fréquence de la mémoire. Veuillez noter que les résultats de l'overclocking ne sont pas garantis.

► Adjusted DRAM Frequency

Affiche la fréquence ajustée de la mémoire. Fonctionne en lecture seule.

► Load Memory Presets [Disabled]*

Load OC Memory Preset optimisera les timings et les tensions des modules installés.

► Memory Try It ! [Disabled]

Memory Try It! permet d'améliorer la compatibilité ou les performances en optimisant les pré-réglages de la mémoire.

► DRAM Timing Mode [Link]

Choisit le mode de latences mémoire.

[Link] Ceci vous permet de configurer les latences DRAM pour tous les canaux de mémoire.

[UnLink] Ceci vous permet de configurer les latences DRAM pour chaque canal de mémoire.

► Advanced DRAM Configuration

Appuyez sur la touche **Entrée** pour entrer dans le sous-menu. L'utilisateur peut régler la synchronisation de mémoire de chaque barrette de mémoire. Le système peut être instable ou peut ne plus redémarrer après le changement de la synchronisation de la mémoire. Dans ce cas-là, veuillez effacer les données CMOS et remettre les réglages par défaut (référez-vous à la section cavalier / bouton Clear CMOS pour effacer les données CMOS et entrez ensuite dans le BIOS pour charger les réglages par défaut).

► **Memory Fast Boot [Auto] ***

Active ou désactive l'initialisation et le test de la mémoire à chaque démarrage.

[Auto] Ce réglage est automatiquement configuré par le BIOS.

[Enabled] La mémoire imitera complètement l'archive de la première initiation et la première formation. La mémoire n'est ensuite plus initialisée ni testée au moment du démarrage, de façon à accélérer le démarrage du système.

[Disabled] La mémoire est initialisée et testée à chaque démarrage.

► **DigitALL Power sub-menu**

Appuyez sur la touche **Entrée** pour entrer dans le sous-menu. Dans le sous-menu, vous pouvez installer des conditions de protection sur tension / courant / température pour le processeur.

► **CPU Core / GT Voltage Mode [Auto]***

Définit le mode pour la tension du cœur CPU et la tension GT.

► **CPU Core Voltage Mode [Auto]***

Définit le mode pour la tension du cœur CPU.

► **CPU Voltages control [Auto]**

Permet de définir les tensions relatives au processeur. En mode **Auto**, le BIOS configure ces tensions automatiquement. Vous pouvez également les paramétrer manuellement.

► **DRAM Voltages control [Auto]**

Permet de définir les tensions relatives à la mémoire. En mode **Auto**, le BIOS configure ces tensions automatiquement. Vous pouvez également les paramétrer manuellement.

► **PCH Voltages control [Auto]**

Permet de définir les tensions relatives à la puce PCH. En mode **Auto**, le BIOS configure ces tensions automatiquement. Vous pouvez également les paramétrer manuellement.

► **CPU Memory Changed Detect [Enabled]***

Active ou désactive les messages d'alerte système au démarrage suite au remplacement du processeur ou de la mémoire.

[Enabled] Le système montre un message d'alerte pendant le démarrage et vous devez charger les réglages par défaut pour les nouveaux périphériques.

[Disabled] Désactive cette fonction et garde les réglages BIOS actuels.

► **OC Quick View Timer [3 Sec]***

Définit la durée pendant laquelle les valeurs de réglages d'overclocking sont affichées sur l'écran. Mis en Désactivé, le BIOS n'affichera pas les variations de réglages d'overclocking.

► **CPU Specifications sub-menu**

Appuyez sur la touche **Entrée** pour accéder au sous-menu. Ce sous-menu affiche les caractéristiques du processeur installé. Vous pouvez également accéder à ce sous-menu à tout moment en appuyant sur la touche [F4]. Fonctionne en lecture seule.

► **MEMORY-Z sub-menu**

Appuyez sur la touche **Entrée** pour accéder au sous-menu. Ce sous-menu affiche tous les réglages et timings de la mémoire installée. Vous pouvez également accéder à ce sous-menu à tout moment en appuyant sur la touche [F5].

► **CPU Features sub-menu**

Appuyez sur la touche **Entrée** pour entrer dans le sous-menu. Vous pouvez activer ou désactiver les fonctionnalités et technologies du processeur pour protéger le processeur et améliorer les performances du système.

Содержание

Безопасное использование продукции	3
Технические характеристики	4
Технические характеристики разъема JCORSAIR1	10
Комплект поставки	10
Задняя панель портов ввода/ вывода	11
Таблица состояний индикатора порта LAN.....	11
Конфигурация портов Аудио	11
Realtek Audio Console	12
Установка антенн.....	14
Компоненты материнской платы	15
Процессорный сокет	16
Слоты DIMM	17
PCI_E1~5: Слоты расширения PCIe	18
M2_1~3: Разъемы M.2 (Ключ M)	20
SATA1~6: Разъемы SATA 6 Гб/с.....	22
JFP1, JFP2: Разъемы передней панели	23
CPU_PWR1~2, ATX_PWR1: Разъемы питания	24
JBLK_U1: Кнопки увеличения базовой частоты.....	25
Разъемы для замера напряжения V-Check Points Lite	25
JSLOW1: Джемпер режима медленной загрузки.....	26
JLN1: Джемпер загрузки при низких температурах.....	26
JOC_RT1: Кнопка OC Retry.....	27
JOC_FS1: Кнопка OC принудительного входа в BIOS.....	27
JAUD1: Разъем аудио передней панели.....	28
JUSB1: Разъем USB 3.2 Gen 2 Type-C	28
JUSB2: Разъем USB 3.2 Gen 1.....	29
JUSB3~4: Разъемы USB 2.0	30
JTPM1: Разъем модуля TPM	30
CPU_FAN1, PUMP_FAN1, SYS_FAN1~6: Разъемы вентиляторов	31
JTBT1: Разъем для установки карты расширения Thunderbolt.....	32
JRTD3: Разъем Intel RTD3.....	32
JCI1: Разъем датчика открытия корпуса	33
JBAT1: Джемпер очистки данных CMOS (Сброс BIOS)	34
POWER1, RESET1: Кнопка питания, Кнопка перезагрузки	34
JRGB1: Разъем RGB LED.....	35
JRAINBOW1~2: Разъемы адресных RGB LED.....	36
JCORSAIR1: Разъем CORSAIR.....	37

Встроенные индикаторы.....	38
Индикаторы отладки EZ.....	38
Индикатор XMP.....	38
JPWRLED1: Индикатор подключения питания.....	38
LED_SW1: Переключатель для управления индикаторами EZ.....	39
Индикатор отладочных кодов.....	39
Таблица шестнадцатиричных символов.....	39
Фазы загрузки.....	39
Таблица отладочных кодов.....	40
Коды состояний ACPI.....	44
Температура процессора.....	44
Установка ОС, драйверов и утилит.....	45
Установка Windows® 10.....	45
Установка драйверов.....	45
Установка утилит.....	45
UEFI BIOS.....	46
Настройка BIOS.....	47
Вход в настройки BIOS.....	47
Сброс BIOS.....	48
Обновление BIOS.....	48
Режим EZ.....	50
Режим разгона.....	54
Меню ОС.....	55

Безопасное использование продукции

- Компоненты, входящие в комплект поставки могут быть повреждены статическим электричеством. Для успешной сборки компьютера, пожалуйста, следуйте указаниям ниже.
- Убедитесь, что все компоненты компьютера подключены должным образом. Ослабленные соединения компонентов могут привести как к сбоям в работе, так и полной неработоспособности компьютера.
- Чтобы избежать повреждений компонентов платы всегда держите ее за края.
- При сборке компьютера рекомендуется пользоваться электростатическим браслетом. В случае, если это невозможно, перед работой с платой снимите электростатический заряд со своего тела, прикоснувшись к металлическому предмету.
- В случае, если материнская плата не установлена в корпус, храните ее в антистатической упаковке или на антистатическом коврик.
- Перед включением компьютера убедитесь, что все винты крепления и другие металлические компоненты на материнской плате и внутри корпуса надежно зафиксированы.
- Не включайте компьютер, если сборка не завершена. Это может привести к повреждению компонентов, а также травмированию пользователя.
- Если вам нужна помощь на любом этапе сборки компьютера, пожалуйста, обратитесь к сертифицированному компьютерному специалисту.
- Всегда выключайте питание и отсоединяйте шнур питания от электрической розетки перед установкой или удалением любого компонента компьютера.
- Сохраните это руководство для справки.
- Не допускайте воздействия на материнскую плату высокой влажности.
- Перед тем как подключить блок питания компьютера к электрической розетке убедитесь, что напряжение электросети соответствует напряжению, указанному на блоке питания.
- Располагайте шнур питания так, чтобы на него не могли наступить люди. Не ставьте на шнур питания никаких предметов.
- Необходимо учитывать все предостережения и предупреждения, указанные на материнской плате.
- При возникновении любой из перечисленных ниже ситуаций обратитесь в сервисный центр для проверки материнской платы:
 - Попадание жидкости внутрь компьютера.
 - Материнская плата подверглась воздействию влаги.
 - Материнская плата не работает должным образом или невозможно наладить ее работу в соответствии с руководством пользователя.
 - Материнская плата получила повреждения при падении.
 - Материнская плата имеет явные признаки повреждения.
- Не храните материнскую плату в местах с температурой выше 60 °C (140 °F), так как это может привести к ее повреждению.

Технические характеристики

Процессор	<p>Поддержка процессоров Intel® Core™ 10-ого поколения и Pentium® Gold / Celeron® для сокета LGA 1200*</p> <p>* Пожалуйста, обратитесь intel.com для получения дополнительной информации о совместимости.</p> <p>* Встроенная графика не будет выводить изображение на монитор при использовании процессоров с суффиксом «F».</p>
Чипсет	Intel® Z490
Память	<ul style="list-style-type: none">• 4x слота памяти DDR4 с поддержкой до 128ГБ*• Поддержка 1R 2133/2666/2933 МГц*<ul style="list-style-type: none">▪ 1DPC 1R поддерживает максимальную частоту 4800+ МГц▪ 1DPC 2R поддерживает максимальную частоту 4266+ МГц▪ 2DPC 1R поддерживает максимальную частоту 4400+ МГц▪ 2DPC 2R поддерживает максимальную частоту 4000+ МГц• Двухканальная архитектура памяти• Поддержка non-ECC, небуферизованной памяти• Поддержка Intel® Extreme Memory Profile (XMP) <p>* Дополнительную информацию о совместимых модулях памяти можно найти на веб-сайте www.msi.com</p>
Слоты расширения	<ul style="list-style-type: none">• 3x слота PCIe 3.0 x16 (2 слота для CPU, 1 слот для PCH, поддержка режима 16/0/4, 8/8/4)• 2x слота PCIe 3.0 x1 (для PCH)
Поддержка Multi-GPU	<ul style="list-style-type: none">• Поддержка технологии 2-Way NVIDIA® SLI™• Поддержка технологии 3-Way AMD® CrossFire™

Продолжение на следующей странице

Продолжение с предыдущей страницы

Подключение накопителей	<p>Чипсет Intel® Z490</p> <ul style="list-style-type: none">• 6x портов SATA 6Гб/с*/**• 3x разъема M.2 (Ключ M)<ul style="list-style-type: none">▪ Разъем M2_1 поддерживает PCIe 3.0 x4 и SATA 6Гб/с, накопители 2242/ 2260/ 2280/ 22110*▪ Разъем M2_2 поддерживает PCIe 3.0 x4 и SATA 6Гб/с, накопители 2242/ 2260/ 2280**▪ Разъем M2_3 поддерживает PCIe 3.0 x4, накопители 2242/ 2260/ 2280▪ Поддержка памяти Intel® Optane™***▪ Поддержка технологии Intel® Smart Response для процессоров Intel Core™ <p>* Разъем SATA2 будет недоступен при установке M.2 SATA SSD в разъем M2_1. ** Разъемы SATA5 и SATA6 будут недоступны при установке M.2 SATA/ PCIe SSD в разъем M2_2. *** Перед использованием модулей памяти Intel® Optane™ убедитесь, что драйверы и BIOS были обновлены до последней версии с веб-сайта MSI.</p>
RAID	<p>Чипсет Intel® Z490</p> <ul style="list-style-type: none">• Поддержка RAID 0, RAID 1, RAID 5 и RAID 10 для накопителей SATA• Поддержка RAID 0, RAID 1 и RAID 5 для накопителей M.2 PCIe
LAN	<ul style="list-style-type: none">• 1x 2.5-гигабитный сетевой контроллер Realtek® 8125B
Wi-Fi/ Bluetooth	<p>Модуль беспроводной связи на базе Intel® AX201</p> <ul style="list-style-type: none">• Поддержка MU-MIMO TX/RX, 2.4ГГц/ 5ГГц (160МГц) со скоростью передачи данных до 2.4Гб/с• 802.11ас; поддержка технологии WiFi 6 (Предварительно сертифицирована)• Поддержка Bluetooth 5.0, FIPS, FISMA• 1x разъем M.2 с ключом E (режим Wi-Fi)

Продолжение на следующей странице

Продолжение с предыдущей страницы

USB	<ul style="list-style-type: none">• Контроллер Intel® Z490<ul style="list-style-type: none">▪ 4x порта USB 3.2 Gen 2 10Гбит/с (3 порта Type-A на задней панели, 1 внутренний разъем Type-C)▪ 4x порта USB 3.2 Gen 1 5Гбит/с (2 порта Type-A на задней панели, 2 порта доступны через внутренние разъемы USB)▪ 6x портов USB 2.0 (2 порта Type-A на задней панели, 4 порта доступны через внутренние разъемы USB 2.0)• Контроллер ASMedia® 3241<ul style="list-style-type: none">▪ 1x порт USB 3.2 Gen 2x2 20Гбит/с Type-C на задней панели
Аудио	Realtek® ALC1220 Codec + ESS E9018Q2C combo DAC <ul style="list-style-type: none">• 7.1-канальный High Definition Audio• Поддержка S/PDIF-out
Разъемы задней панели	<ul style="list-style-type: none">• 1x кнопка очистки данных CMOS• 1x кнопка Flash BIOS• 1x комбинированный порт PS/2 клавиатуры/ мыши• 2x порта USB 2.0• 2x порта USB 3.2 Gen 1 5Гб/с Type-A• 3x порта USB 3.2 Gen 2 10Гб/с Type-A• 1x порт 3.2 Gen 2x2 20Гб/с Type-C• 1x порт LAN (RJ45)• 1x разъем антенны Wi-Fi• 1x оптический разъем S/PDIF OUT• 5x аудиоразъемов OFC


Продолжение на следующей странице

Продолжение с предыдущей страницы

Разъемы на плате	<ul style="list-style-type: none">• 1x 24-контактный разъем питания ATX• 2x 8-контактных разъема питания ATX 12B• 6x разъемов SATA 6Гб/с• 3x разъема M.2 (Ключ M)• 1x порт USB 3.2 Gen 2 10Гб/с Type-C• 1x разъем USB 3.2 Gen 1 5Гб/с (поддержка 2-х дополнительных портов USB 3.2 Gen 1 5Гб/с)• 2x разъема USB 2.0 (поддержка 4-х дополнительных портов USB 2.0)• 1x 4-контактный разъем вентилятора процессора• 1x 4-контактный разъем вентилятора Water Pump• 6x 4-контактных разъемов вентилятора системы• 1x разъем аудио передней панели• 2x разъема системной панели• 1x разъем датчика открытия корпуса• 1x джампер режима медленной загрузки• 1x кнопка питания• 1x кнопка перезагрузки• 1x 4-контактный разъем RGB LED• 2x 3-контактных разъема RAINBOW LED• 1x 3-контактный разъем CORSAIR LED
Параметры индикаторов	<ul style="list-style-type: none">• 1x переключатель управления индикаторами• 4x индикатора отладки EZ• 1x 2-значный индикатор отладочных кодов
Контроллер ввода-вывода	NUVOTON NCT6687
Аппаратный мониторинг	<ul style="list-style-type: none">• Определение температуры процессора/системы• Определение скорости вентиляторов процессора/системы• Управление скоростью вентиляторов процессора/системы
Форм-фактор	<ul style="list-style-type: none">• ATX Форм-фактор• 12 x 9.6 дюйма (30.5 x 24.4 см)
Параметры BIOS	<ul style="list-style-type: none">• 1x 256 Мб флэш• UEFI AMI BIOS• ACPI 6.2, SM BIOS 3.2• Мультиязычный интерфейс

Продолжение на следующей странице

Продолжение с предыдущей страницы

Программное обеспечение	<ul style="list-style-type: none">• Драйверы• DRAGON CENTER• Intel Extreme Tuning Utility• Nahimic Audio• MSI App Player(BlueStacks)• Open Broadcaster Software (OBS)• CPU-Z MSI GAMING• Google Chrome™, Google Toolbar, Google Drive• Norton™ Internet Security Solution
Функции Dragon Center	<ul style="list-style-type: none">• Gaming Mode• Gaming Hotkey• LAN Manager• Mystic Light• Ambient Link• User Scenario• Monitor(Hardware Monitor)• True Color• Live Update• DPC Latency tuner• Speed Up• Smart Tool• Super Charger• Voice Boost <div data-bbox="657 703 785 834"></div> <p data-bbox="653 855 926 911">Для подробностей обратитесь http://download.msi.com/manual/mb/DRAGONCENTER2.pdf</p>
Эксклюзивные функции	<ul style="list-style-type: none">• Аудио<ul style="list-style-type: none">▪ Audio Boost HD▪ Nahimic 3▪ Voice Boost• Сеть<ul style="list-style-type: none">▪ 2.5G LAN▪ LAN Manager▪ Intel WiFi

Продолжение на следующей странице

Продолжение с предыдущей страницы

**Эксклюзивные
функции**

- Охлаждение
 - All Aluminum Design
 - Frozr Heatsink Design
 - Extended Heatsink Design
 - M.2 Shield Frozr
 - Pump Fan
 - Smart Fan Control
- Индикатор
 - Mystic Light Extension (RGB)
 - Mystic Light Extension (RAINBOW)
 - Mystic Light Extension (CORSAIR)
 - Mystic Light SYNC
 - Ambient Link
 - EZ LED Control
 - EZ DEBUG LED
- Производительность
 - Multi GPU – SLI Technology
 - Multi GPU – CrossFire Technology
 - DDR4 Boost
 - Core Boost
 - Game Boost
 - Lightning USB 20G
 - USB 3.2 Gen 2 10G
 - USB с интерфейсом Type A+C
 - USB Type-C на задней панели
 - Dual CPU Power (8+8 контактов)
- Защита
 - PCI-E Steel Armor
 - Предустановленная заглушка материнской платы на заднюю панель
- Опыт использования
 - Dragon Center
 - Click BIOS 5

Технические характеристики разъема JCORSAIR1

Поддерживаемые продукты CORSAIR RGB	Максимальное количество подключенных устройств
Светодиодные полосы Lighting Node PRO	20* <small>* Рекомендуется установить яркость подсветки на 20%, когда количество светодиодных лент превышает 8.</small>
Вентиляторы HD120 с RGB светодиодной подсветкой	6
Вентиляторы SP120 с RGB светодиодной подсветкой	6
Вентиляторы LL120 с RGB светодиодной подсветкой	6

Комплект поставки

Проверьте комплект поставки материнской платы. В него должны входить следующие элементы:

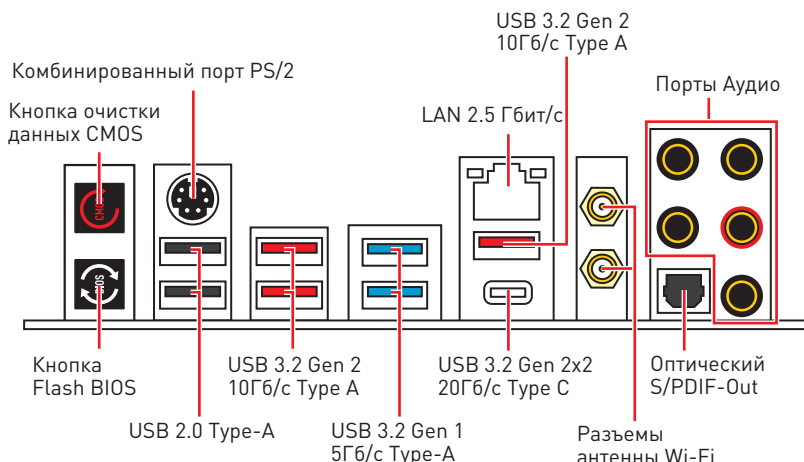
Материнская плата	MEG Z490 UNIFY	
Документы	Руководство пользователя	1
	Уведомление о стойках для крепления материнской платы	1
	Руководство по быстрой установке	1
Диск с утилитами	Диск с драйверами	1
Кабели	Кабели SATA 6Гб/с (2 шт./уп.)	2
Аксессуары	Антенна Wi-Fi	1
	Наклейка с логотипом	1
	Этикетки для маркировки кабелей SATA	1
	Регистрационная карточка продукта	1
	Винты для M.2 (3 шт./уп.)	1



Внимание!

Если какой-либо элемент из комплекта поставки поврежден или отсутствует, пожалуйста, свяжитесь с продавцом.

Задняя панель портов ввода/ вывода



- **Кнопка очистки данных CMOS** – Выключите компьютер. Нажмите и удерживайте кнопку очистки данных CMOS на 5-10 секунд для сброса настройки BIOS по умолчанию.
- **Порт/Кнопка Flash BIOS** – Обратитесь к странице 49 для получения информации об обновлении BIOS при помощи кнопки Flash BIOS.

Таблица состояний индикатора порта LAN

Подключение/ Работа индикатора		Скорость передачи данных								
Состояние	Описание									
Выкл.	Не подключен	<table border="1"> <thead> <tr> <th>Состояние</th> <th>Описание</th> </tr> </thead> <tbody> <tr> <td>Выкл.</td> <td>10 Мбит/с подключение</td> </tr> <tr> <td>Зеленый</td> <td>100 Мбит/с / 1 Гбит/с подключение</td> </tr> <tr> <td>Оранжевый</td> <td>2.5 Гбит/с подключение</td> </tr> </tbody> </table>	Состояние	Описание	Выкл.	10 Мбит/с подключение	Зеленый	100 Мбит/с / 1 Гбит/с подключение	Оранжевый	2.5 Гбит/с подключение
Состояние	Описание									
Выкл.	10 Мбит/с подключение									
Зеленый	100 Мбит/с / 1 Гбит/с подключение									
Оранжевый	2.5 Гбит/с подключение									
Желтый	Подключен									
Мигает	Передача данных									

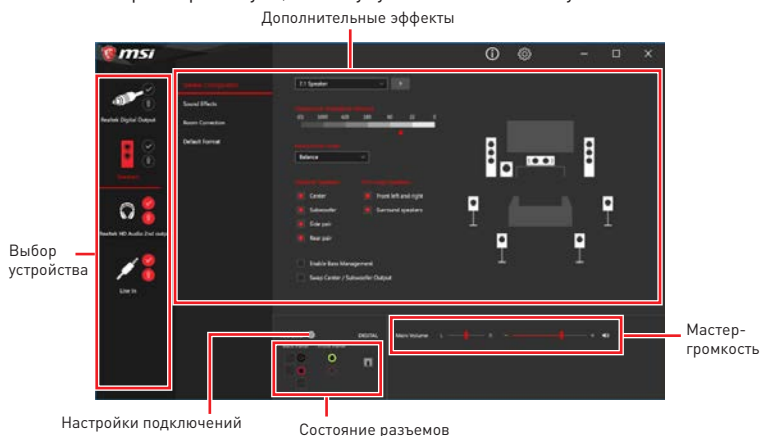
Конфигурация портов Аудио

Порты Аудио	Канал			
	2	4	6	8
Выход центральной колонки/ сабвуфера			●	●
Тыловые колонки		●	●	●
Линейный вход/ Выход боковых колонок				●
Линейный выход/ Выход фронтальных колонок	●	●	●	●
Микрофонный вход				

(●: подключен, Пусто: не подключен)

Realtek Audio Console

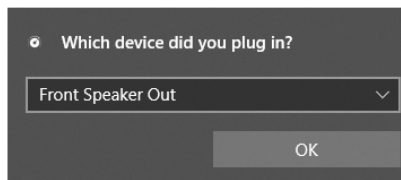
После установки Realtek Audio Console вы можете использовать его для изменения параметров звука, чтобы улучшить качество звука.



- **Выбор устройства** – позволяет выбрать источник аудио выхода и изменить соответствующие параметры. Отмеченное устройство будет использоваться по умолчанию.
- **Дополнительные эффекты** – это список опций по настройке звуковых эффектов для входного и выходного сигнала аудио устройства.
- **Мастер-громкость** – регулирует громкость или баланс правой и левой колонок, подключенных к передней или задней панели.
- **Состояние разъемов** – отображает все устройства воспроизведения и записи, подключенные к компьютеру.
- **Настройки подключений** – настраивают параметры подключения.

Автоматическое всплывающее диалоговое окно

При подключении устройства к разъему аудио появится диалоговое окно с просьбой подтвердить подключенное устройство.

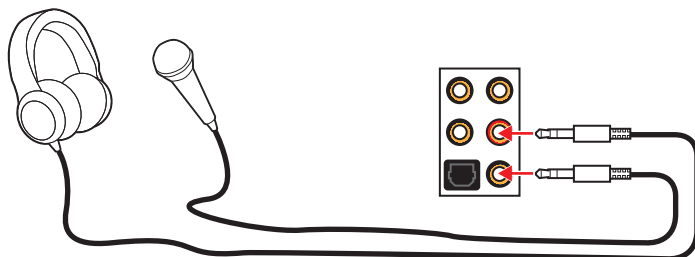


Каждый разъем соответствует его настройкам по умолчанию, как показано на следующей странице.

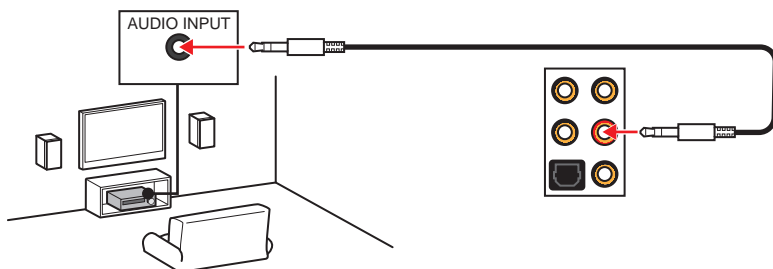


Изображения приведены исключительно в справочных целях и могут отличаться от фактических.

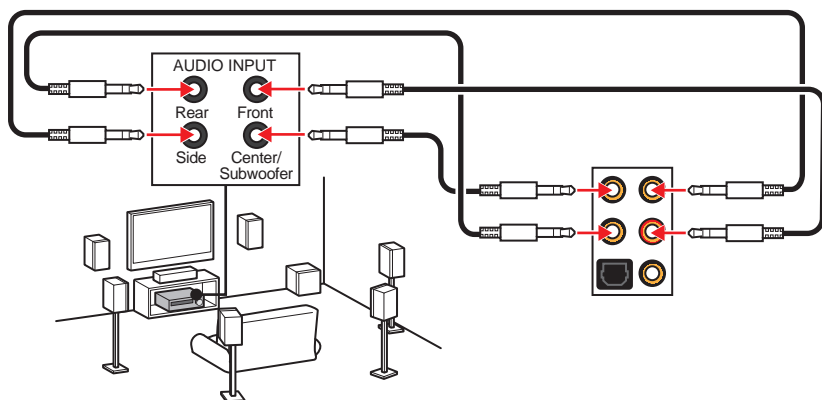
Подключение наушников и микрофона



Подключение внешнего стерео усилителя (колонок)

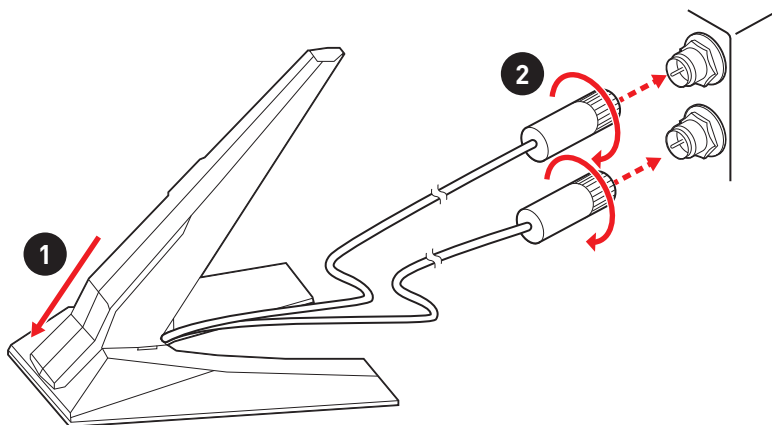


Подключение звуковой системы 7.1

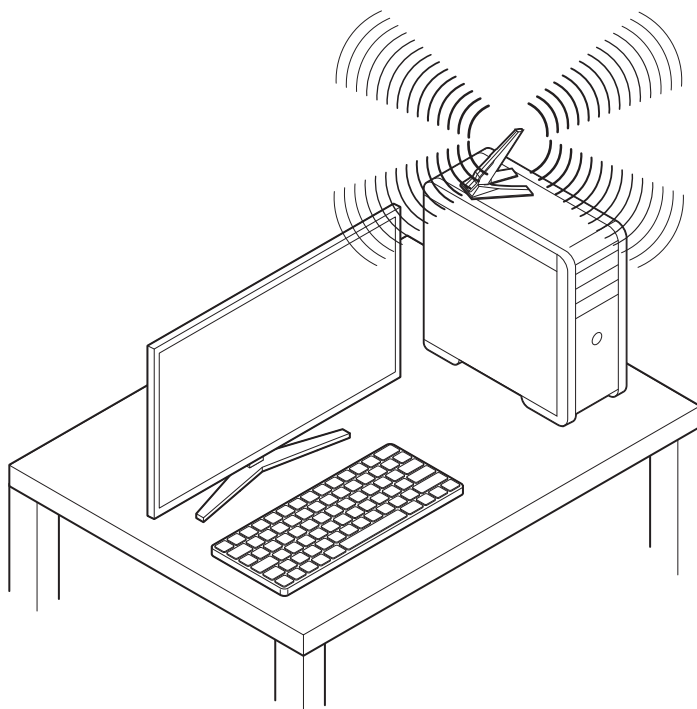


Установка антенн

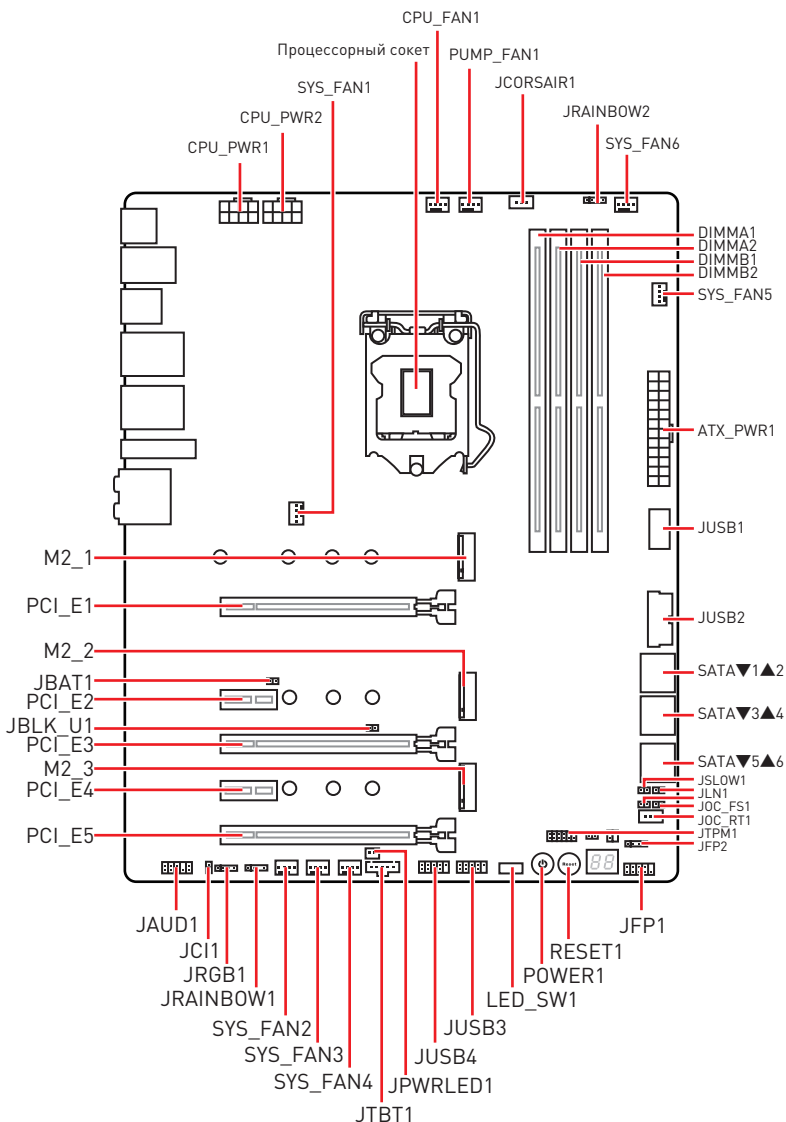
1. Подключите антенны к основанию.
2. Прикрутите две антенны к разъемам антенны WiFi, как показано на рисунке ниже.



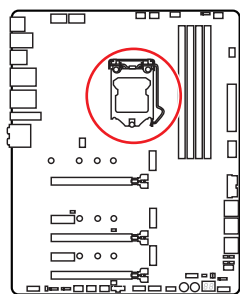
3. Поместите антенны как можно выше.



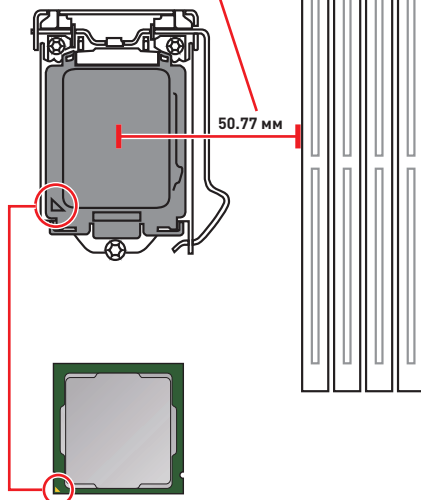
Компоненты материнской платы



Процессорный socket



Расстояние от центра процессора до ближайшего слота DIMM.



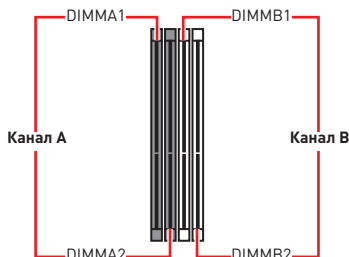
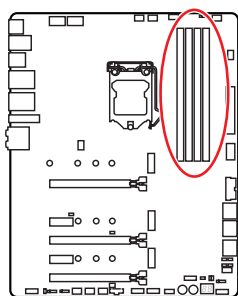
Процессор LGA 1200

На поверхности процессора LGA 1200 имеется две **выемки** и один **золотой треугольник** для правильной установки процессора относительно процессорного сокета материнской платы. Золотой треугольник указывает на контакт 1.

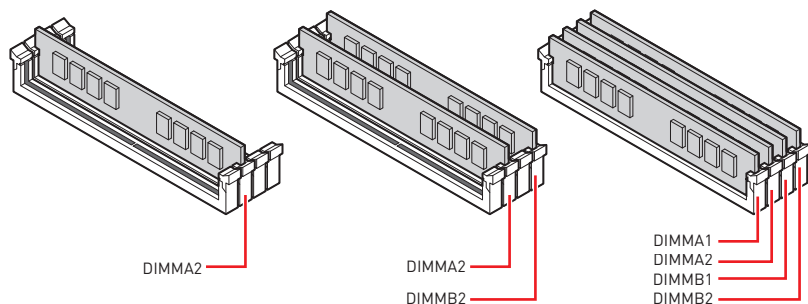
Внимание!

- Перед установкой или заменой процессора, необходимо отключить кабель питания.
- Пожалуйста, сохраните защитную крышку процессорного сокета после установки процессора. Любые возможные гарантийные случаи, связанные с работой материнской платы, MSI® будет рассматривать только, при наличии защитной крышки на процессорном сокете.
- При установке процессора обязательно установите процессорный кулер. Кулер, представляющий собой систему охлаждения процессора, предотвращает перегрев и обеспечивает стабильную работу системы.
- Перед включением системы проверьте герметичность соединения между процессором и радиатором.
- Перегрев может привести к серьезному повреждению процессора и материнской платы. Всегда проверяйте работоспособность вентилятора для защиты процессора от перегрева. При установке кулера нанесите ровный слой термопасты (или термоленту) на крышку установленного процессора для улучшения теплопередачи.
- Если процессор не установлен, всегда защищайте контакты процессорного сокета пластиковой крышкой.
- Если вы приобрели отдельно процессор и процессорный кулер, подробное описание установки см. в документации в данному кулеру.
- Данная системная плата разработана с учетом возможности ее «разгона». Перед выполнением разгона системы убедитесь в том, что все компоненты системы смогут его выдержать. Производитель не рекомендует использовать параметры, выходящие за пределы технических характеристик устройств. Гарантия MSI® не распространяется на повреждения и другие возможные последствия ненадлежащей эксплуатации оборудования.

Слоты DIMM



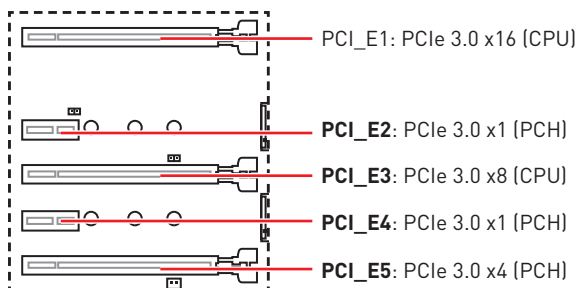
Рекомендации по установке модулей памяти



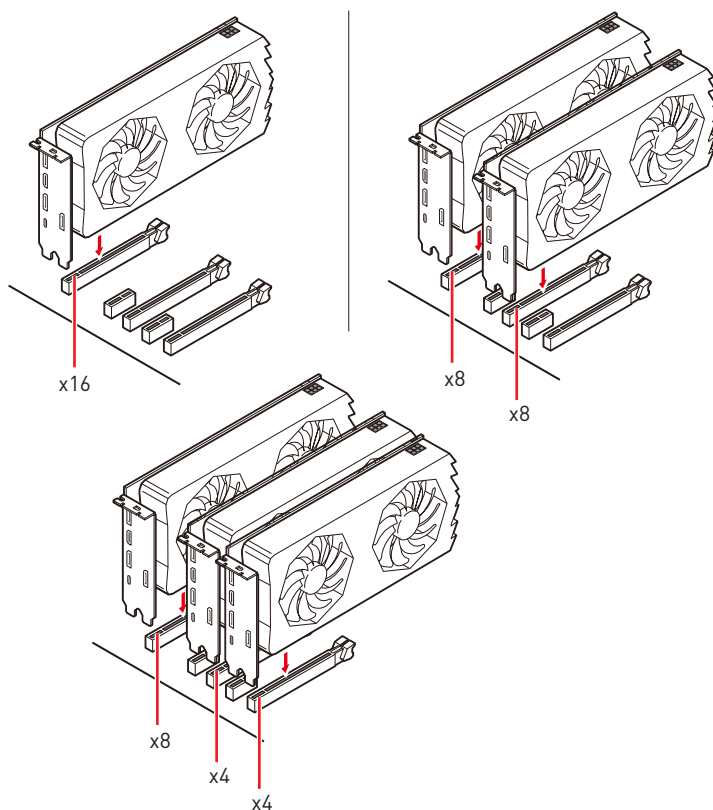
Внимание!

- Всегда устанавливайте модуль памяти сначала в слот **DIMMA2**.
- Для более стабильной работы системы в двухканальном режиме, модули памяти должны быть одинакового типа, количества и емкости.
- Некоторые модули памяти при разгоне могут работать на частотах ниже заявленной производителем, поскольку выставляемая для памяти частота зависит от информации, записанной в SPD (Serial Presence Detect). Зайдите в BIOS и выберите опцию **DRAM Frequency**, чтобы установить заявленную или более высокую частоту.
- При установке памяти во все слоты, а также при ее разгоне, рекомендуется использовать более эффективную систему охлаждения памяти.
- Совместимость и стабильность работы установленных модулей памяти при разгоне зависит от установленного процессора и других устройств.
- Дополнительную информацию о совместимых модулях памяти можно найти на веб-сайте www.msi.com.

PCI_E1~5: Слоты расширения PCIe



Рекомендации по установке нескольких видеокарт



Внимание!

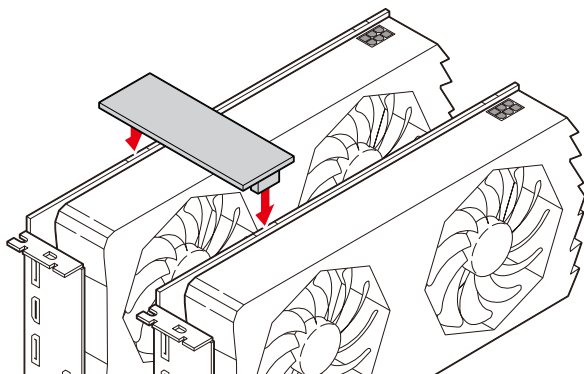
- При установке массивной видеокарты, необходимо использовать такой инструмент, как **MSI Gaming Series Graphics Card Bolster** для поддержки веса графической карты и во избежание деформации слота.
- Для установки одной карты расширения PCIe x16 с оптимальной производительностью рекомендуется использовать слот **PCI_E1**.
- Перед установкой или извлечением плат расширения убедитесь, что кабель питания отключен от электрической сети. Прочтите документацию на карту расширения и выполните необходимые дополнительные аппаратные или программные изменения для данной карты.

Установка видеокарт в режиме SLI

Для выполнения рекомендаций по питанию видеокарт в SLI конфигурациях, пожалуйста, обратитесь к руководству пользователя вашей видеокарты, чтобы убедиться, что она соответствует всем требованиям системы.

Для установки видеокарт в SLI:

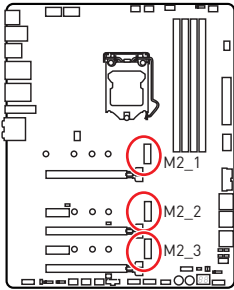
1. Выключите компьютер и отсоедините шнур питания. Установите две видеокарты в слот **PCI_E1** и **PCI_E3**.
2. Соедините видеокарты разъемом **SLI Bridge**.



3. Подключите все разъемы питания PCIe видеокарт.
4. Подключите кабель питания, включите компьютер, установите драйверы и программное обеспечение из комплекта поставки видеокарты.
5. Щелкните правой кнопкой мыши на Рабочем столе Windows и выберите NVIDIA Control Panel из раскрывшегося меню. Нажмите на Configure SLI, Surround, PhysX в левой панели задач и выберите Maximize 3D performance в меню конфигурации SLI, а затем нажмите кнопку Apply.



M2_1~3: Разъемы M.2 (Ключ M)



Видео Инструкция

Смотрите видео, чтобы узнать как использовать модуль M.2.

<http://youtu.be/JCTFABytrYA>

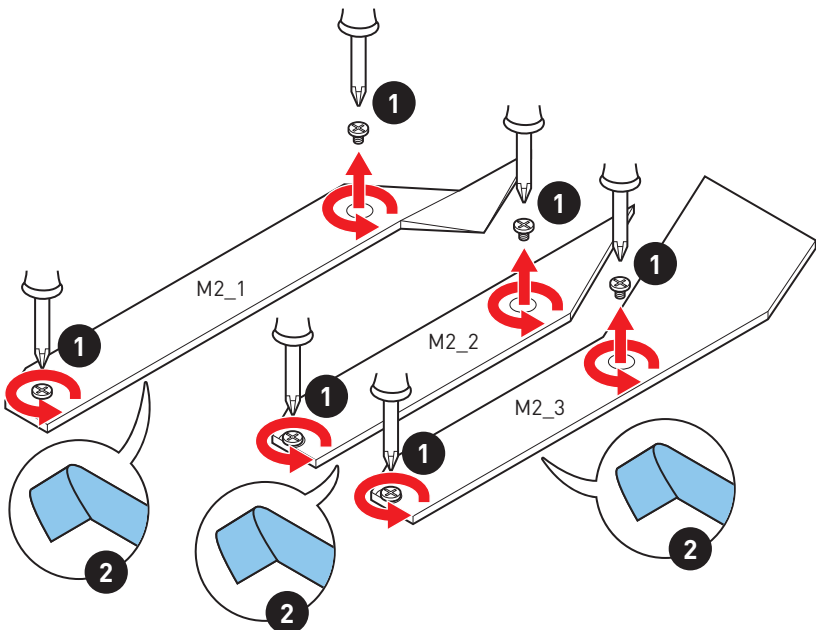


Внимание!

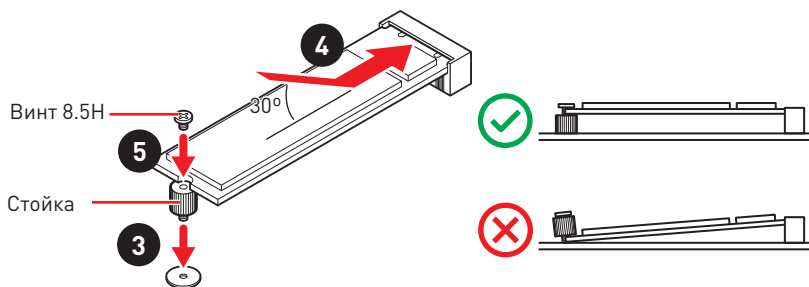
- Технология Intel® RST только поддерживает PCIe M.2 SSD с UEFI ROM.
- Каждый разъем M.2 поддерживает память Intel® Optane™.

Установка модуля M.2

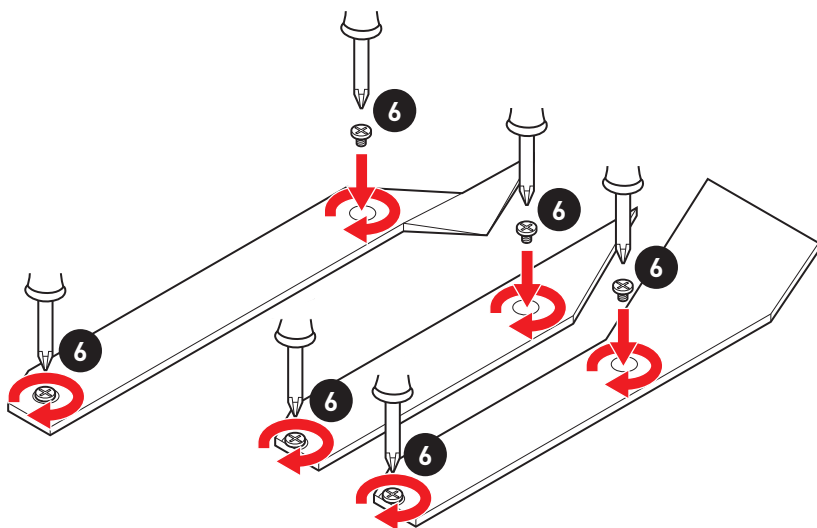
1. Удалите винты для радиатора M.2 SHIELD FROZR.
2. Удалите M.2 SHIELD FROZR и снять защитную пленку с термоинтерфейса.



3. При необходимости переместите стойки в соответствии с длиной M.2 SSD.
4. Вставьте M.2 SSD в разъем M.2 под углом 30 градусов.
5. Закрепите M.2 SSD с помощью прилагаемого винта 8.5Н для M.2.

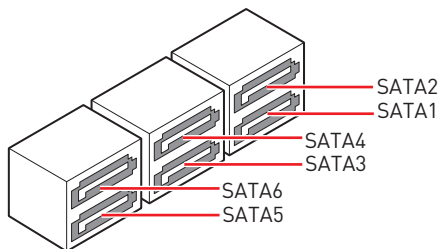
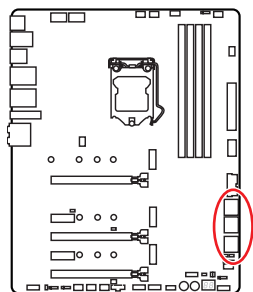


6. Установите на место радиатор M.2 SHIELD FROZR и закрепите его.



SATA1~6: Разъемы SATA 6 Гб/с

Эти разъемы представляют собой интерфейсные порты SATA 6Гб/с. К каждому порту можно подключить одно устройство SATA.



Внимание!

- Избегайте перегибов кабеля SATA под прямым углом. В противном случае, возможна потеря данных при передаче.
- Кабели SATA оснащены одинаковыми коннекторами с обеих сторон. Однако, для экономии занимаемого пространства к материнской плате рекомендуется подключать плоский разъем.
- Разъем SATA2 будет недоступен при установке M.2 SATA SSD в разъем M2_1.
- Разъемы SATA5 и SATA6 будут недоступны при установке M.2 SSD в разъем M2_2.

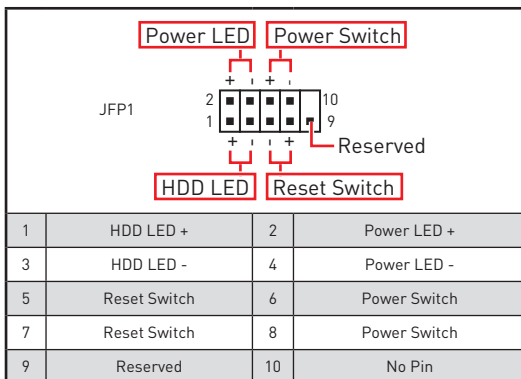
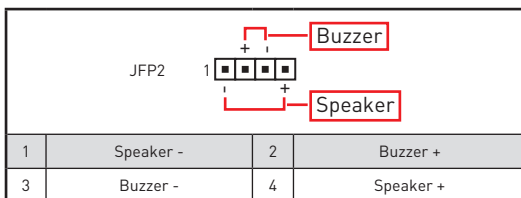
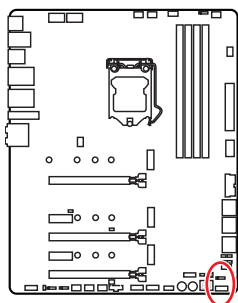
Таблица комбинации для слотов M.2 и SATA

Слот	Доступные разъемы SATA					
	PCIe	SATA	PCIe	SATA	PCIe	SATA
M2_1	PCIe	SATA	PCIe	SATA	PCIe	SATA
M2_2	PCIe	PCIe	SATA	SATA	—	—
M2_3	Разъем M2_3 только поддерживает PCIe					
SATA1	✓	✓	✓	✓	✓	✓
SATA2	✓	—	✓	—	✓	—
SATA3	✓	✓	✓	✓	✓	✓
SATA4	✓	✓	✓	✓	✓	✓
SATA5	—	—	—	—	✓	✓
SATA6	—	—	—	—	✓	✓

(SATA: M.2 SATA SSD, PCIe: M.2 PCIe SSD, ✓: доступно, —: недоступно)

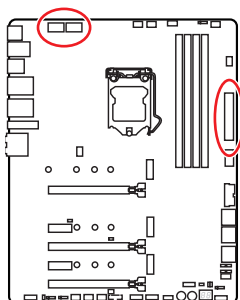
JFP1, JFP2: Разъемы передней панели

Эти разъемы служат для подключения кнопок и светодиодных индикаторов, расположенных на передней панели.



CPU_PWR1~2, ATX_PWR1: Разъемы питания

Данные разъемы предназначены для подключения блока питания ATX.



1	Ground	5	+12V
2	Ground	6	+12V
3	Ground	7	+12V
4	Ground	8	+12V

1	+3.3V	13	+3.3V
2	+3.3V	14	-12V
3	Ground	15	Ground
4	+5V	16	PS-ON#
5	Ground	17	Ground
6	+5V	18	Ground
7	Ground	19	Ground
8	PWR OK	20	Res
9	5VSB	21	+5V
10	+12V	22	+5V
11	+12V	23	+5V
12	+3.3V	24	Ground

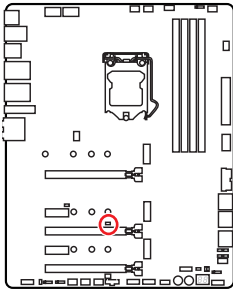



Внимание!

Для обеспечения стабильной работы системной платы проверьте надежность подключения всех кабелей питания к блоку питания ATX.

JBLK_U1: Кнопки увеличения базовой частоты

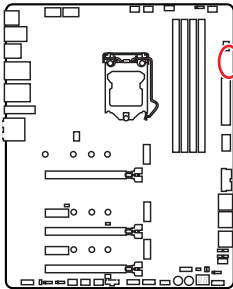
Данный разъем предназначен для подключения внешней кнопки. Нажиме эту кнопку позволяет увеличить базовую частоту процессора.



 JBLK_U1 (Замкнуть контакт джампера для увеличения базовой частоты процессора)

Разъемы для замера напряжения V-Check Points Lite

Данные разъемы предназначены для измерения текущих значений напряжения на компонентах ПК. Для замера напряжения потребуется мультиметр (приобретается отдельно). Для измерения напряжения подключите один из щупов мультиметра к «ЗЕМЛЕ» (крепежное отверстие для винтов), второй щуп мультиметра подключите к соответствующему контакту разъема для замера напряжения. Дополнительную информацию см. в руководстве по использованию мультиметра.



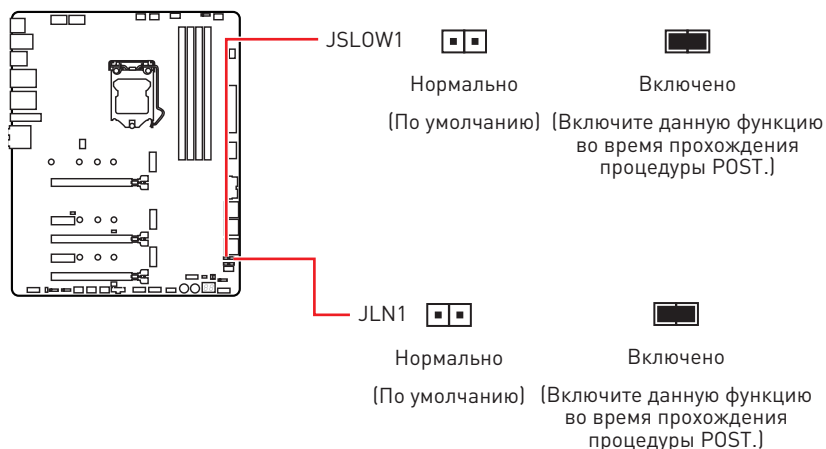
-  GND
-  VCCIO
-  VSA
-  DRAM
-  CPU

JSLOW1: Джемпер режима медленной загрузки

Данный переключатель используется в случае применения систем охлаждения LN2, что в свою очередь позволяет создать экстремальные условия для разгона. Это позволяет загружаться при стабильной частоте процессора и предотвращает сбой в работе.

JLN1: Джемпер загрузки при низких температурах

Данный джемпер используется для загрузки системы при использовании охлаждения на жидком азоте. Использование джемпера повышает вероятность успешной загрузки при экстремальных температурах.

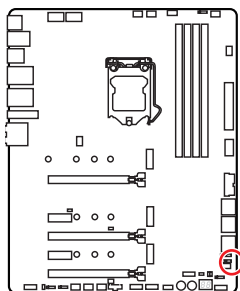


Внимание!

- Всегда помните, что разгон при экстремально низких температурах вы осуществляете на свой страх и риск. Результаты разгона могут различаться в зависимости от модели процессора.
- Не устанавливайте эту перемычку в положение **Включено** при выключенном питании или в случае, когда систему невозможно загрузить.

JOC_RT1: Кнопка OC Retry

Данный разъем предназначен для подключения внешней кнопки. При нажатии и удержании этой кнопки, система будет изменять параметры разгона до тех пор, пока успешно не загрузится.



JOC_RT1 

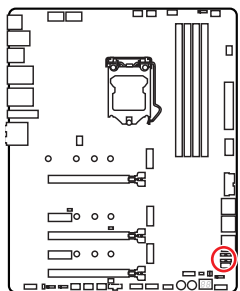
Нормально
(По умолчанию)



Включена
функция OC Retry

JOC_FS1: Кнопка ОС принудительного входа в BIOS

Данный разъем предназначен для подключения внешней кнопки. При нажатии этой кнопки система принудительно войдет в настройки BIOS без отображения сообщения OC_FAIL.



JOC_FS1 

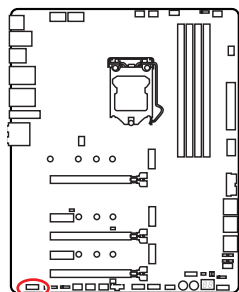
Нормально
(По умолчанию)

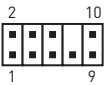


Принудительный
вход в BIOS

JAUD1: Разъем аудио передней панели

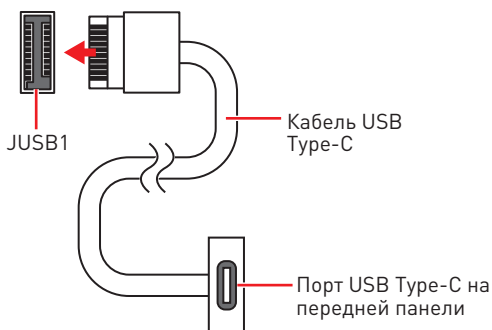
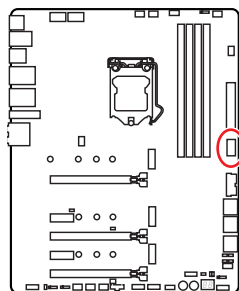
Данный разъем предназначен для подключения аудиоразъемов передней панели.



			
1	MIC L	2	Ground
3	MIC R	4	NC
5	Head Phone R	6	MIC Detection
7	SENSE_SEND	8	No Pin
9	Head Phone L	10	Head Phone Detection

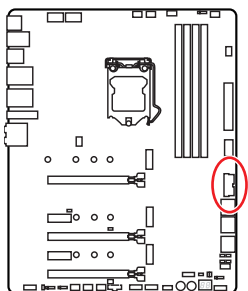
JUSB1: Разъем USB 3.2 Gen 2 Type-C

Данный разъем предназначен для подключения портов 3.2 Gen 2 Type-C на передней панели. Данный коннектор имеет защиту от неправильного подключения. При подключении кабеля убедитесь, что коннектор сориентирован правильно относительно разъема.



JUSB2: Разъем USB 3.2 Gen 1

Данные разъемы предназначены для подключения портов USB 3.2 Gen 1 5Гб/с на передней панели.



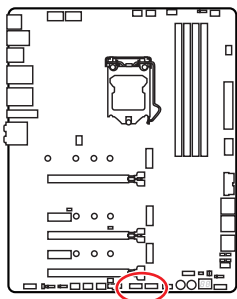
1	Power	11	USB2.0+
2	USB3_RX_DN	12	USB2.0-
3	USB3_RX_DP	13	Ground
4	Ground	14	USB3_TX_C_DP
5	USB3_TX_C_DN	15	USB3_TX_C_DN
6	USB3_TX_C_DP	16	Ground
7	Ground	17	USB3_RX_DP
8	USB2.0-	18	USB3_RX_DN
9	USB2.0+	19	Power
10	Ground	20	No Pin

Внимание!

Помните, что во избежание повреждений, необходимо правильно подключать контакты питания и земли.

JUSB3~4: Разъемы USB 2.0

Данные разъемы предназначены для подключения портов USB 2.0 на передней панели.



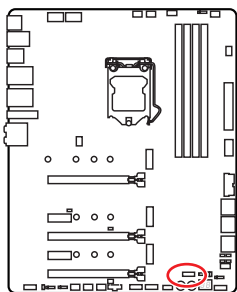
1	VCC	2	VCC
3	USB0-	4	USB1-
5	USB0+	6	USB1+
7	Ground	8	Ground
9	No Pin	10	NC

Внимание!

- Помните, что во избежание повреждений, необходимо правильно подключать контакты VCC и земли.
- Для того, чтобы зарядить ваш iPad, iPhone и iPod через порты USB, пожалуйста, установите утилиту MSI® DRAGON CENTER.

JTPM1: Разъем модуля TPM

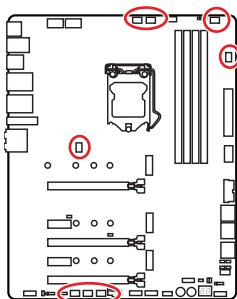
Данный разъем используется для подключения модуля TPM (Trusted Platform Module). Дополнительные сведения см. в описании модуля TPM.



1	SPI Power	2	SPI Chip Select
3	Master In Slave Out (SPI Data)	4	Master In Slave In (SPI Data)
5	Reserved	6	SPI Clock
7	Ground	8	SPI Reset
9	Reserved	10	No Pin
11	Reserved	12	Interrupt Request

CPU_FAN1, PUMP_FAN1, SYS_FAN1~6: Разъемы вентиляторов

Разъемы вентиляторов можно разделить на два типа: с PWM (PulseWidth Modulation) управлением и управлением постоянным током. Разъемы вентиляторов с PWM управлением имеют контакт с постоянным напряжением 12В, а также контакт с сигналом управления скоростью вращения. Управление скоростью вращения вентиляторов с управлением постоянным током, осуществляется через соответствующие разъемы путем изменения величины напряжения. Для настройки режима работы вентилятора вручную (PWM или DC), следуйте указаниям ниже.



Разъем с PWM управлением по умолчанию



CPU_FAN1/PUMP_FAN1

Default DC Mode fan connectors



SYS_FAN1/SYS_FAN5

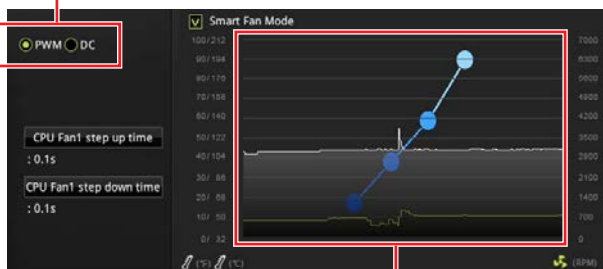


SYS_FAN2-4/SYS_FAN6

Переключение режимов работы и скорости вращения вентилятора

В меню **BIOS > HARDWARE MONITOR** вы можете выбрать режим работы вентилятора: PWM или DC, а также настроить его скорость вращения.

Выберите режим **PWM** или **DC**



Вы можете регулировать скорость вращения вентилятора в зависимости от температуры процессора путем изменения положения градиентных точек.



Внимание!

Убедитесь, что вентиляторы работают правильно после выбора режима PWM/ DC.

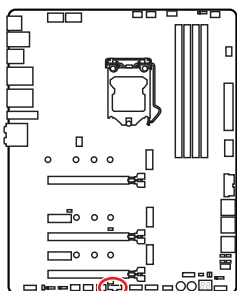
Назначение контактов разъема для подключения вентилятора

Назначение контактов разъема для режима PWM			
1	Ground	2	+12V
3	Sense	4	Speed Control Signal

Назначение контактов разъема для режима DC			
1	Ground	2	Voltage Control
3	Sense	4	NC

JTB1: Разъем для установки карты расширения Thunderbolt

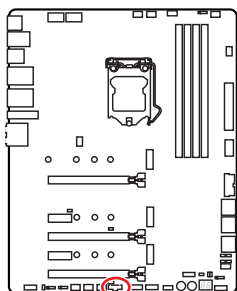
Данный разъем предназначен для подключения карты расширения с интерфейсом Thunderbolt.



1			
1	FORCE_PWR	2	SCI_EVENT
3	SLP_S3#	4	SLP_S5#
5	GND		

JRTD3: Разъем Intel RTD3

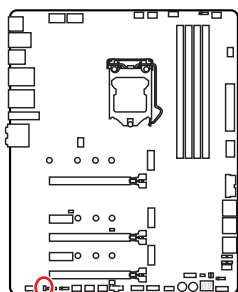
Данный разъем предназначен для подключения к разъему RTD3 на карте расширения с интерфейсом Thunderbolt, которая поддерживает режим RTD3.



1			
1	WAKE	2	PWR EN
3	GND		

JCI1: Разъем датчика открытия корпуса

К этому разъему подключается кабель от датчика открытия корпуса.



Нормально
(По умолчанию)



Разрешить запись по
событию открытия корпуса

Использование датчика открытия корпуса

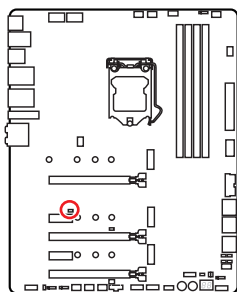
1. Подключите датчик открытия корпуса к разъему **JCI1**.
2. Закройте крышку корпуса.
3. Войдите в **BIOS > SETTINGS > Security > Chassis Intrusion Configuration**.
4. Установите **Chassis Intrusion** в **Enabled**.
5. Нажмите клавишу **F10**, чтобы сохранить настройки и выйти, а затем нажмите клавишу **Enter**, чтобы выбрать **Yes**.
6. При открытии корпуса на экране будет появляться предупреждающее сообщение каждый раз при включении компьютера.

Сброс сообщения об открытии корпуса

1. Войдите в **BIOS > SETTINGS > Security > Chassis Intrusion Configuration**.
2. Выберите **Chassis Intrusion, Reset**.
3. Нажмите клавишу **F10**, чтобы сохранить изменения и выйти, а затем нажмите клавишу **Enter**, чтобы выбрать **Yes**.

JBAT1: Джемпер очистки данных CMOS (Сброс BIOS)

На плате установлена CMOS память с питанием от батарейки для хранения данных о конфигурации системы. Для сброса конфигурации системы (очистки данных CMOS памяти), воспользуйтесь этим джемпером.



Сохранение данных
(По умолчанию)



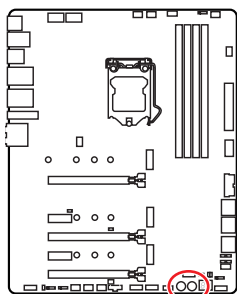
Очистка данных/
Сброс BIOS

Сброс настроек BIOS до значений по умолчанию

1. Выключите компьютер и отключите шнур питания.
2. Используйте джемпер, чтобы замкнуть соответствующие контакты **JBAT1** в течение 5-10 секунд.
3. Снимите джемпер с контактов **JBAT1**.
4. Подключите шнур питания и включите компьютер.

POWER1, RESET1: Кнопка питания, Кнопка перезагрузки

Кнопка питания/ перезагрузки позволяет вам включить/ перезагрузить компьютер.



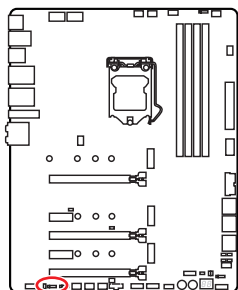
Кнопка
перезагрузки



Кнопка
питания

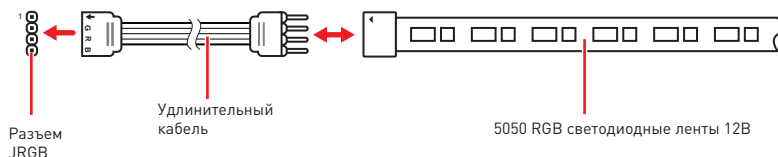
JRGB1: Разъем RGB LED

Разъем JRGB предназначен для подключения 5050 RGB светодиодных лент 12В.

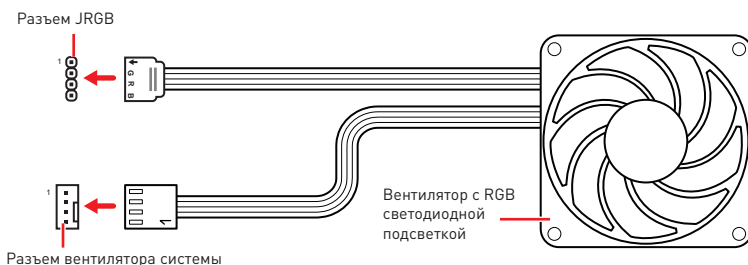


1			
1	+12V	2	G
3	R	4	B

Подключение RGB светодиодных лент



Подключение вентиляторов с RGB светодиодной подсветкой

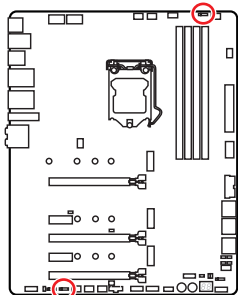


Внимание!

- Разъем JRGB поддерживает подключение 5050 RGB непрерывных светодиодных лент (12В/G/R/B) длиной до 2 метров с максимальной мощностью 3А (12В).
- Перед установкой или заменой светодиодных лент RGB, необходимо полностью обесточить систему и отключить кабель питания.
- Используйте утилиту MSI для управления удлинительными светодиодными лентами.

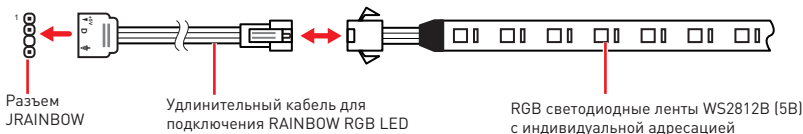
JRAINBOW1~2: Разъемы адресных RGB LED

Разъемы JRAINBOW предназначены для подключения RGB светодиодных лент WS2812B (5B) с индивидуальной адресацией.

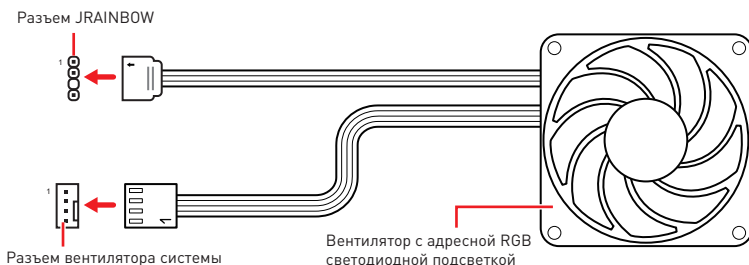


1 JRAINBOW1~2			
1	+5V	2	Data
3	No Pin	4	Ground

Подключение адресных RGB светодиодных лент



Подключение вентиляторов с адресной RGB светодиодной подсветкой



ВНИМАНИЕ!

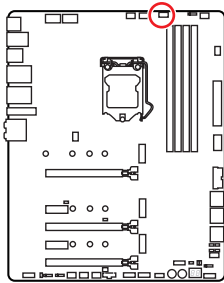
Не подключайте несовместимые с материнской платой светодиодные ленты. Разъем JRGB и разъем JRAINBOW имеют разное напряжение, и подключение светодиодных лент 5B к разъему JRGB приведет к их повреждению.

Внимание!

- Разъем JRAINBOW поддерживает подключение RGB светодиодных лент WS2812B с индивидуальной адресацией (5B/Data/Ground) с максимальной мощностью 3A (5B), и максимальное количество светодиодов составляет 75. Когда яркость подсветки установлена на 20%, к данному разъему можно подключить до 200 светодиодов.
- Перед установкой или заменой светодиодных лент RGB, необходимо полностью обесточить систему и отключить кабель питания.
- Используйте утилиту MSI для управления удлинительными светодиодными лентами.

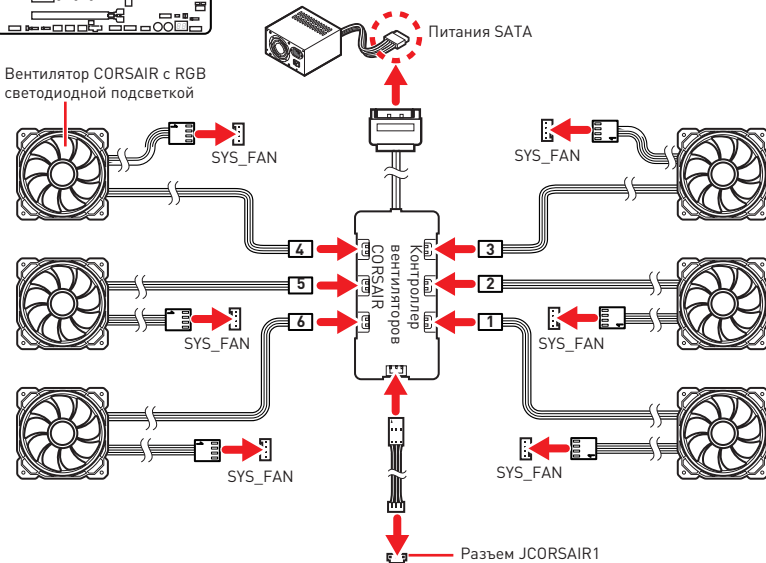
JCORSAIR1: Разъем CORSAIR

Разъем JCORSAIR1 используется для подключения RGB светодиодных лент Lighting PRO (5B) с индивидуальной адресацией или вентиляторов CORSAIR с RGB светодиодной подсветкой через контроллер вентиляторов CORSAIR. Когда все элементы правильно подключены, используйте утилиту MSI для управления RGB светодиодными лентами и вентиляторами CORSAIR с подсветкой.

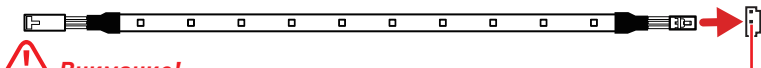


1			
JCORSAIR1			
1	+5V	2	Data
3	Ground		

Подключение вентиляторов CORSAIR с RGB светодиодной подсветкой



Подключение светодиодных лент CORSAIR Lighting Node PRO



Внимание!

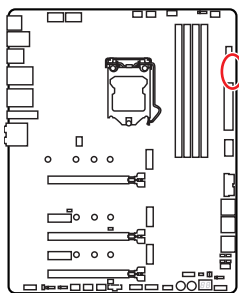
Разъем JCORSAIR1

- Вентиляторы необходимо подключать последовательно, начиная с разъема № 1. Последовательность подключения вентиляторов к разъемам: 1 > 2 > 3 > 4 > 5 > 6. Пренебрежение правилами подключения вентиляторов к разъемам может привести к неработоспособности их подсветки.
- Количество поддерживаемых вентиляторов с RGB светодиодной подсветкой или светодиодных лент RGB Lighting PRO может различаться в зависимости от модели. Для получения подробной информации обратитесь к техническим характеристикам материнской платы.
- Вентиляторы CORSAIR с RGB светодиодной подсветкой нельзя использовать одновременно со светодиодными лентами CORSAIR Lighting Node PRO.

Встроенные индикаторы

Индикаторы отладки EZ

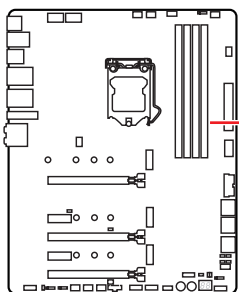
Данные светодиоды показывают состояния отладки материнской платы.



- CPU** - процессор не обнаружен или поврежден.
- DRAM** - память DRAM не обнаружена или повреждена.
- VGA** - видеокарта не обнаружена или повреждена.
- BOOT** - устройство загрузки не обнаружено или повреждено.

Индикатор XMP

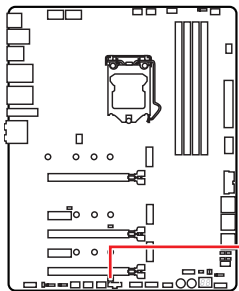
Данный LED показывает включение режима XMP (Extreme Memory Profile).



Индикатор XMP

JPWRLED1: Индикатор подключения питания

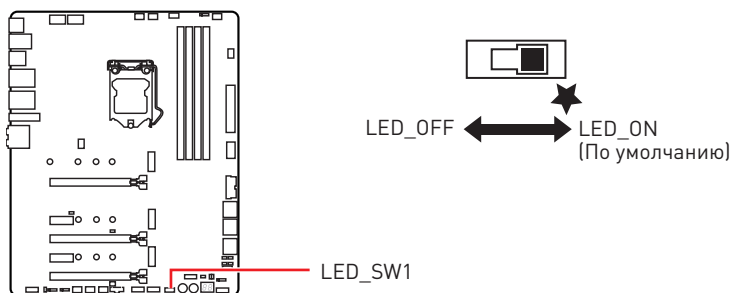
Данные компоненты используются в розничных магазинах для демонстрации светодиодных эффектов на плате.



JPWRLED1 - Индикатор подключения питания

LED_SW1: Переключатель для управления индикаторами EZ

Этот переключатель используется для включения/ выключения всех индикаторов на материнской плате.



Индикатор отладочных кодов

Индикатор отладочных кодов отображает фазы процесса самотестирования POST, а также коды ошибок. Для получения дополнительной информации см. таблицу отладочных кодов.

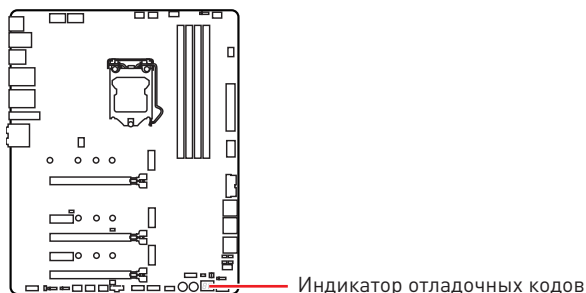


Таблица шестнадцатиричных символов

Шестнадцатиричный символ	0	1	2	3	4	5	6	7	8	9	A	B	C	D	E	F
Индикатор отладочных кодов	0	1	2	3	4	5	6	7	8	9	A	B	C	D	E	F

Фазы загрузки

Security (SEC) – начальная инициализация низкого уровня

Pre-EFI Initialization (PEI) – инициализация памяти

Driver Execution Environment (DXE) – инициализация оборудования

Boot Device Selection (BDS) – настройки системы, пользовательский интерфейс до загрузки ОС & выбор загрузочного устройства (CD/DVD, HDD, USB, Network, Shell, ...)

Таблица отладочных кодов

Прогресс-коды SEC

01	Питание включено. Определение типа сброса (soft/hard)
02	Инициализация AP перед загрузкой микрокода
03	Инициализация System Agent перед загрузкой микрокода
04	Инициализация PCH перед загрузкой микрокода
06	Загрузка микрокода
07	Инициализация AP после загрузки микрокода
08	Инициализация System Agent после загрузки микрокода
09	Инициализация PCH после загрузки микрокода
0B	Инициализация Кэша

Коды ошибок SEC

0C - 0D	Зарезервировано для будущего использования кодами ошибок AMI SEC
0E	Микрокод не найден
0F	Микрокод не загружен

Прогресс-коды PEI

10	Запущено ядро PEI
11	Запущена инициализация Pre-memory CPU
12 - 14	Инициализация Pre-memory CPU (только модуль CPU)
15	Запущена предварительная инициализация System Agent
16 - 18	Предварительная инициализация System Agent (только модуль System Agent)
19	Запущена предварительная инициализация памяти PCH
1A - 1C	Предварительная инициализация памяти PCH (только модуль PCH)
2B	Инициализация памяти. Чтение данных Serial Presence Detect (SPD)
2C	Инициализация памяти. Определение наличия памяти
2D	Инициализация памяти. Информация о программировании таймингов памяти
2E	Инициализация памяти. Конфигурирование памяти
2F	Инициализация памяти (другое)
31	Память установлена
32	Запущена инициализация CPU post-memory
33	Инициализация CPU post-memory. Инициализация Кэша
34	Инициализация CPU post-memory. Инициализация Application Processor(s) (AP)
35	Инициализация CPU post-memory. Выбор Strap Processor (BSP)
36	Инициализация CPU post-memory. Инициализация Management Mode (SMM)
37	Запущена предварительная инициализация Post-Memory System Agent
38 - 3A	Инициализация Post-Memory System Agent (только модуль System Agent)
3B	Запущена инициализация Post-Memory PCH
3C - 3E	Инициализация Post-Memory PCH (только модуля PCH)
4F	Запущен DXE IPL

Коды ошибок PEI

50	Ошибка инициализации памяти. Несовместимый тип памяти или несовместимая частота
51	Ошибка инициализации памяти. Ошибка чтения SPD
52	Ошибка инициализации памяти. Неверный объем памяти или разные модули памяти
53	Ошибка инициализации памяти. Не обнаружено работоспособной памяти
54	Непредвиденная ошибка инициализации памяти
55	Память не установлена
56	Недопустимый тип процессора или недопустимая частота
57	Недопустимый процессор
58	Самотестирование процессора не выполнено или возможная ошибка кэша
59	Микрокод процессора не найден либо обновление микрокода не выполнено
5A	Внутренняя ошибка процессора
5B	Сброс PPI не доступен
5C - 5F	Зарезервировано для будущего использования кодами AMI

Прогресс-коды DXE

60	Запущен DXE Core
61	Инициализация NVRAM
62	Настройка PCH Runtime Services
63	Запущена инициализация CPU DXE
64 - 67	Инициализация CPU DXE (только модуль CPU)
68	Инициализация PCI host bridge
69	Запущена инициализация System Agent DXE
6A	Запущена инициализация System Agent DXE SMM
6B - 6F	Инициализация System Agent DXE(только модуль System Agent)
70	Запущена инициализация PCH DXE
71	Запущена инициализация PCH DXE SMM
72	Инициализация устройств PCH
73 - 77	Инициализация PCH DXE (только модуль PCH)
78	Инициализация модуля ACPI
79	Инициализация CSM
7A - 7F	Зарезервировано для будущего использования кодами AMI DXE
90	Запуск фазы выбора загрузочного устройства Boot Device Selection (BDS)
91	Запущено подключение драйвера
92	Запущена инициализация PCI Bus
93	Инициализация контроллера PCI Bus Hot Plug Controller
94	PCI Bus Enumeration 32
95	PCI Bus Request Resources
96	PCI Bus Assign Resources

97	Подключение устройств Console Output
98	Подключение устройств Console Input
99	Инициализация Super IO
9A	Запущена инициализация USB
9B	USB Reset
9C	USB Detect
9D	USB Enable
9E -9F	Зарезервировано для будущих кодов AMI
A0	Запущена инициализация IDE
A1	IDE Reset
A2	IDE Detect
A3	IDE Enable
A4	Запущена инициализация SCSI
A5	SCSI Reset
A6	SCSI Detect
A7	SCSI Enable
A8	Проверка пароля Setup
A9	Запуск Setup
AB	Ожидание ввода Setup
AD	Событие Ready To Boot
AE	Событие Legacy Boot
AF	Событие Exit Boot Services
B0	Начало Runtime Set Virtual Address MAP
B1	Конец Runtime Set Virtual Address MAP
B2	Инициализация Legacy Option ROM
B3	System Reset
B4	USB hot plug
B5	PCI bus hot plug
B6	Очистка NVRAM
B7	Сброс конфигурации (сброс настроек NVRAM)
B8 - BF	Зарезервировано для будущих кодов AMI

Коды ошибок DXE

D0	Ошибка инициализации процессора
D1	Ошибка инициализации System Agent
D2	Ошибка инициализации PCH
D3	Некоторые протоколы архитектуры недоступны
D4	Ошибка выделения ресурсов для PCI. Вне Ресурсов
D5	Нет свободного места для Legacy Option ROM

D6	Не найдены консольные устройства вывода
D7	Не найдены консольные устройства ввода
D8	Неверный пароль
D9	Ошибка загрузки Boot Option (ошибка загрузки образа)
DA	Ошибка Boot Option (ошибка запуска образа)
DB	Ошибка обновления
DC	Протокол сброса недоступен

Прогресс-коды S3 Resume

E0	Запущен S3 Resume (S3 Resume PPI вызывается DXE IPL)
E1	Выполнение S3 Boot Script
E2	Перезапуск видео
E3	OS S3 wake vector call
E4 - E7	Зарезервировано для будущих прогресс-кодов AMI

Коды ошибок S3 Resume

E8	Ошибка S3 Resume
E9	S3 Resume PPI не найден
EA	Ошибка загрузочного скрипта S3 Resume
EB	Ошибка выхода ОС из состояния S3
EC - EF	Зарезервировано для будущего использования кодами AMI

Прогресс-коды восстановления

F0	Состояние восстановления инициировано прошивкой (Автоматическое восстановление)
F1	Состояние восстановления инициировано пользователем (Принудительное восстановление)
F2	Запущен процесс восстановления
F3	Найден образ прошивки восстановления
F4	Загружен образ прошивки восстановления
F5 - F7	Зарезервировано для будущих прогресс-кодов AMI

Коды ошибок восстановления

F8	Восстановление PPI не доступно
F9	Капсула восстановления не найдена
FA	Неверная капсула восстановления
FB - FF	Зарезервировано для будущего использования кодами AMI

Коды состояний ACPI

Следующие коды появляются после загрузки и перехода операционной системы в режимы ACPI.

01	Система входит в режим сна S1
02	Система входит в режим сна S2
03	Система входит в режим сна S3
04	Система входит в режим сна S4
05	Система входит в режим сна S5
10	Система выходит из состояния сна S1
20	Система выходит из состояния сна S2
30	Система выходит из состояния сна S3
40	Система выходит из состояния сна S4
AC	Система перешла в режим ACPI. Контроллер прерываний в режиме PIC.
AA	Система перешла в режим ACPI. Контроллер прерываний в режиме APIC.

Температура процессора

00 - 99	Отображают текущую температуру процессора после загрузки ОС.
---------	--

Установка ОС, драйверов и утилит

Скачайте и обновите последние утилиты и драйверы с сайта: www.msi.com

Установка Windows® 10

1. Включите компьютер.
2. Вставьте диск Windows® 10 в привод для оптических дисков или вставьте в разъем USB компьютера USB флэш-диск, содержащий установочный файл Windows® 10.
3. Нажмите кнопку **Restart** на корпусе компьютера.
4. Нажмите клавишу **F11** во время POST (Power-On Self Test) компьютера, чтобы войти в меню загрузки.
5. Выберите оптический привод / USB флэш-диск в меню загрузки.
6. Нажмите любую клавишу, когда на экране показывает сообщение **Press any key to boot from CD or DVD...**
7. Следуйте инструкциям на экране, чтобы установить Windows® 10.

Установка драйверов

1. Загрузите компьютер в Windows® 10.
2. Вставьте USB флэш-диск с драйверами MSI® USB Drive в привод для оптических дисков.
3. Нажмите всплывающее окно **Select to choose what happens with this disc** и выберите **Run DVDSetup.exe**, чтобы открыть окно установщика. Если функция автозапуска в Панели управления Windows выключена, вы также можете вручную запустить файл **DVDSetup.exe** из корневой папки USB флэш-диска с драйверами MSI USB Drive.
4. Окно установщика найдет и перечислит все необходимые драйверы во вкладке **Drivers/Software**.
5. Нажмите кнопку **Install** в правом нижнем углу окна установщика.
6. Начнется установка драйверов. После ее завершения будет предложено перезапустить систему.
7. Нажмите кнопку **OK** для завершения.
8. Перезапустите компьютер.

Установка утилит

Перед установкой утилиты необходимо выполнить установку драйверов.

1. Откройте окно установщика, как описано выше.
2. Нажмите вкладку **Utilities**.
3. Выберите необходимые для установки утилиты.
4. Нажмите кнопку **Install** в правом нижнем углу окна установщика.
5. Начнется установка программного обеспечения. После ее завершения будет предложено перезапустить систему.
6. Нажмите кнопку **OK** для завершения.
7. Перезапустите компьютер.

UEFI BIOS

MSI UEFI BIOS совместим с архитектурой UEFI (Unified Extensible Firmware Interface). Прошивка UEFI BIOS имеет множество новых функций и преимуществ, которые не поддерживаются традиционным BIOS. Она будет полностью поддерживать ПК и устройства нового поколения, которые соответствуют архитектуре прошивки UEFI.



Внимание!

Термин BIOS в этом руководстве пользователя относится к UEFI BIOS, если не указано иное.

Преимущества UEFI

- Быстрая загрузка - Можно загружать операционную систему напрямую из UEFI без самопроверки BIOS. Не требуется переключение в режим CSM во время процедуры POST.
- Поддерживает разделы жесткого диска объемом более 2 ТБ.
- Поддерживает более 4 основных разделов с таблицей разделов GUID (GPT).
- Поддерживает неограниченное количество разделов.
- Поддерживает полный функционал новых устройств - Новые устройства могут не поддерживать обратную совместимость.
- Поддерживает запуск ОС в безопасном режиме - UEFI может проверить работоспособность операционной системы, чтобы убедиться, что вредоносные программы не влияют на процесс загрузки.

В следующих случаях система несовместима с архитектурой UEFI

- **32-битная ОС Windows** - Эта материнская плата поддерживает только 64-битную операционную систему Windows 10.
- **Видеокарта устаревшего поколения** - Система определяет модель установленной видеокарты и отображает предупреждающее сообщение «**There is no GOP (Graphics Output protocol) support detected in this graphics card**».

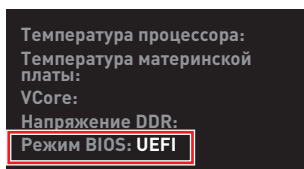


Внимание!

Для нормальной работы системы рекомендуется заменить установленную видеокарту на видеокарту, совместимую с GOP/UEFI, или использовать процессор со встроенной графикой.

Как проверить режим BIOS?

Зайдите в BIOS и выберите режим BIOS в верхней части экрана.



Режим загрузки UEFI

Настройка BIOS

Настройки по умолчанию обеспечивают оптимальную производительность и стабильность системы при нормальных условиях. Если вы недостаточно хорошо знакомы с BIOS, **всегда устанавливайте настройки по умолчанию**. Это позволит избежать возможных повреждений системы, а также проблем с загрузкой.



Внимание!

- С целью улучшения производительности, меню BIOS постоянно обновляется. В связи с этим данное описание может немного отличаться от последней версии BIOS и может использоваться в качестве справки. Для описания какого-либо пункта меню настроек BIOS, вы можете обратиться к информационной панели **HELP**.
- Изображения в этой главе приведены исключительно в справочных целях и могут отличаться от фактических.
- Пункты BIOS будут меняться в зависимости от процессора.

Вход в настройки BIOS

Нажмите клавишу **Delete**, когда появляется сообщение на экране **Press DEL key to enter Setup Menu, F11 to enter Boot Menu** во время загрузки.

Функциональные клавиши

- F1:** Общая справка
 - F2:** Добавить / Удалить избранный предмет
 - F3:** Вход в меню Избранное
 - F4:** Вход в меню технических параметров процессора
 - F5:** Вход в меню Memory-Z
 - F6:** Загрузить оптимизированные настройки по умолчанию
 - F7:** Переключить между расширенном режиме и режимом EZ
 - F8:** Загрузить профиль разгона
 - F9:** Сохранить профиль разгона
 - F10:** Сохранить изменения и перезагрузить*
 - F12:** Сделать скриншот и сохранить его на USB флэш-диск (только FAT / FAT32 формат).
- Ctrl+F:** Вход в страницу поиска

* При нажатии клавиши F10 появится информационное окно. Выберите Yes или No, чтобы подтвердить выбор.

Сброс BIOS

В некоторых ситуациях необходимо выполнить восстановление настроек BIOS до значений по умолчанию. Существует несколько способов сброса настроек:

- Войдите в BIOS и нажмите клавишу **F6** для загрузки оптимизированных значений по умолчанию.
- Замкните джампер **очистки данных CMOS** на материнской плате.
- Нажмите кнопку **очистки данных CMOS** на задней панели портов ввода/ вывода.



Внимание!

Убедитесь, что компьютер выключен перед очисткой данных CMOS. Для получения дополнительной информации о сбросе настроек BIOS, обратитесь к разделу «Джампер/ кнопка **очистки данных CMOS**».

Обновление BIOS

Обновление BIOS при помощи M-FLASH

Перед обновлением:

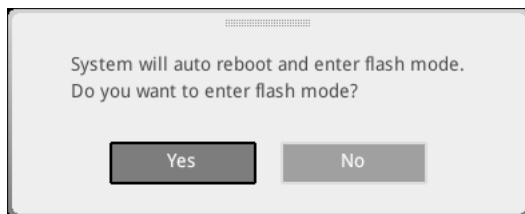
Пожалуйста, скачайте последнюю версию файла BIOS с сайта MSI, который соответствует вашей модели материнской платы. Сохраните файл BIOS на флэш-диске USB.

Обновление BIOS:

1. Вставьте флэш-диск USB, содержащий файл обновления в порт USB на компьютере.
2. Для входа в режим обновления следуйте указаниям ниже.
 - Перезагрузите системы и нажмите клавиши **Ctrl+F5** во время процедуры POST, потом нажмите на кнопку **Yes** для перезагрузки системы.

Нажмите клавиши <Ctrl + F5>, чтобы активировать M-Flash для обновления BIOS.

- Перезагрузите системы и нажмите клавишу **Del** во время процедуры POST для входа в настройки BIOS. Выберите вкладку **M-FLASH** и нажмите на кнопку **Yes** для перезагрузки системы.



3. Выберите файл BIOS для выполнения процесса обновления BIOS.
4. Нажмите на кнопку **Yes** для обновления BIOS.
5. После завершения процесса обновления, система перезагрузится автоматически.

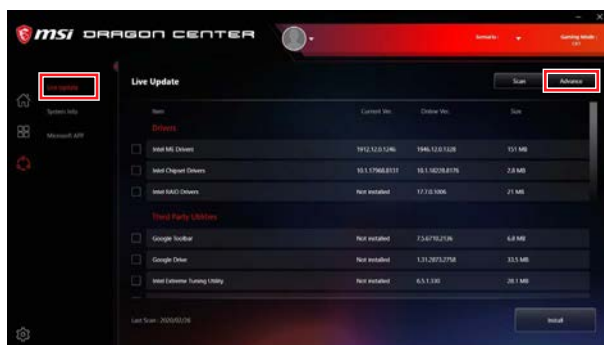
Обновление BIOS при помощи MSI DRAGON CENTER

Перед обновлением:

Убедитесь, что драйвер локальной сети установлен и есть подключение к сети Интернет.

Обновление BIOS:

1. Установите и запустите MSI DRAGON CENTER, и затем перейдите на страницу **Support**.
2. Выберите **Live Update** и нажмите кнопку Advance.



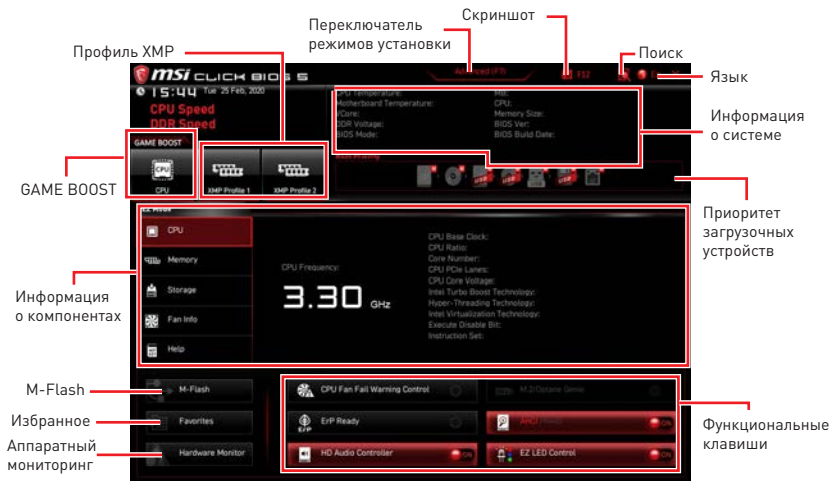
3. Нажмите кнопку **Scan** для поиска последней версии файла BIOS.
4. Выберите файл BIOS и нажмите на значок **Download**, чтобы загрузить и установить последнюю версию файла BIOS.
5. Нажмите кнопку **Next** и выберите **In Windows mode**. И затем нажмите кнопку **Next** и **Start** для запуска обновления BIOS.
6. По завершению процесса обновления, система перезагрузится автоматически.

Обновление BIOS при помощи кнопки Flash BIOS

1. Пожалуйста, скачайте последнюю версию файла BIOS с сайта MSI®, который соответствует вашей модели материнской платы.
2. Переименуйте файл BIOS в **MSI.ROM**, затем сохраните его в корневую папку флэш-диска USB .
3. Подключите блок питания к **CPU_PWR1** и **ATX_PWR1**. (Никакие другие компоненты кроме блока питания не используются.)
4. Подключите USB флэш-диск, содержащий файл MSI.ROM в **порт Flash BIOS** на задней панели портов ввода/ вывода.
5. Нажмите кнопку **Flash BIOS** для обновления BIOS и светодиод начинает мигать.
6. По завершению процесса обновления BIOS светодиод гаснет.

Режим EZ

Режим EZ предоставляет основную информацию о системе и позволяет выполнить основные операции по настройке. Для настройки расширенных функций BIOS, пожалуйста, войдите в Расширенный режим, путем нажатия **Переключатель режимов установки** или при помощи функциональной клавиши **F7**.



- **GAME BOOST** – щелкните для переключения GAME BOOST для разгона. Эта функция доступна, только если материнская плата и процессор поддерживают эту функцию.

Внимание!

*Для сохранения оптимальной производительности и стабильности системы после активации функции **GAME BOOST**, пожалуйста, не делайте никаких изменений в меню ОС и не загружайте настройки по умолчанию.*

- **Профиль XMP** - позволяет выбрать профиль XMP для разгона оперативной памяти. Эта функция доступна, только если система, память и процессор поддерживают эту функцию.
- **Переключатель режимов установки** – нажмите эту вкладку или клавишу **F7**, чтобы переключиться между режимами EZ и разгона.
- **Скриншот** – нажмите на эту вкладку или клавишу **F12**, чтобы сделать скриншот и сохранить его на флэш-диск USB (только FAT/ FAT32).
- **Поиск** – кликните по данной вкладке или нажмите клавиши **Ctrl + F** для перехода на страницу поиска. Это позволяет выполнить поиск по имени параметра BIOS. Наведите указатель мыши на пустое место и щелкните правой кнопкой мыши, для выхода со страницы поиска.

Внимание!

На странице поиска доступны только функциональные клавиши F6, F10 и F12.

- **Язык** – позволяет выбрать язык интерфейса для настройки BIOS.
- **Информация о системе** – показывает частоту процессора/ памяти, температуру процессора/ материнской платы, информацию о материнской плате/процессоре, размер памяти, напряжение на процессоре/ памяти, версию BIOS и дату создания.
- **Приоритет загрузочных устройств** – вы можете переместить иконку устройства для изменения приоритета загрузки. Приоритет загрузки устанавливается слева направо, от высокого к низкому.
- **Информация о компонентах** – нажмите на кнопку **CPU, Memory, Storage, Fan Info** и **Help** для отображения соответствующей информации.
- **Функциональные клавиши** – включают или выключают различные функции, при нажатии на соответствующую кнопку. Когда эта функция включена, на кнопке отображается «ON».

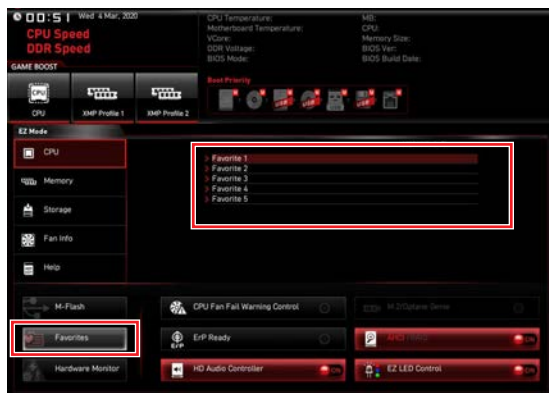


Внимание!

Функциональные клавиши будут меняться в зависимости от приобретенной материнской платы.

- **M-Flash** – нажмите на эту кнопку для входа в меню **M-Flash**. Пункт позволяет выбрать способ обновления BIOS при помощи USB флеш накопителя.
- **Аппаратный мониторинг** – нажмите на эту кнопку для входа в меню **аппаратного мониторинга**. Пункт позволяет вручную регулировать скорость вращения вентиляторов в процентах.

- **Избранное** – нажмите на эту кнопку или на клавишу **F3** для отображения меню **Избранное**. Позволяет создать 5 личных меню BIOS, где вы можете сохранить и получить доступ к вашим любимым и часто используемым настройкам BIOS.



▪ **Добавление пункта BIOS в меню Избранное**

1. Выберите пункт BIOS в настройках ОС или меню ОС.
2. Щелкните правой кнопкой мыши или нажмите клавишу **F2**.
3. Выберите любимую страницу и нажмите на кнопку **OK**.



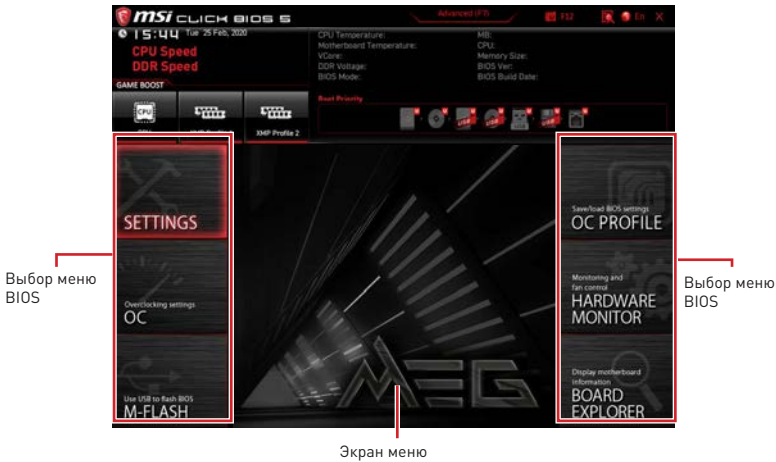
▪ Удаление пункта BIOS из меню Избранное

1. Выберите пункт BIOS в меню Избранное.
2. Щелкните правой кнопкой мыши или нажмите клавишу **F2**.
3. Выберите **Delete** и нажмите на кнопку **OK**.



Режим разгона

Нажмите **переключатель режимов установки** или функциональную клавишу **F7** для переключения между режимами EZ и разгона в настройках BIOS.



- **Выбор меню BIOS** – доступны следующие опции:
 - **SETTINGS** – в данном меню представлены настройки чипсета и загрузочных устройств.
 - **OC** – позволяет регулировать частоту и напряжение. Увеличение частоты приводит к увеличению производительности.
 - **M-FLASH** – позволяет выбрать метод обновления BIOS с USB флэш-диска.
 - **OC PROFILE** – позволяет управлять профилями разгона.
 - **HARDWARE MONITOR** – позволяет установить скорость работы вентиляторов и мониторинг напряжений системы.
 - **BOARD EXPLORER** – предоставляет информации об установленных устройствах на материнской плате.
- **Экран меню** – отображаются настройки BIOS и дополнительная информация.

Меню ОС

Меню ОС используется для настройки частоты и напряжения при разгоне. Обратите внимание, что более высокая частота и напряжение могут улучшить результат разгона, но и привести к нестабильности системы.



Внимание!

- Разгонять ПК вручную рекомендуется только опытным пользователям.
- Производитель не гарантирует успешность разгона. Неправильное выполнение разгона может привести к аннулированию гарантии и серьезному повреждению оборудования.
- Неопытным пользователям рекомендуется использовать функцию **GAME BOOST**.
- Пункты BIOS в меню ОС будут меняться в зависимости от процессора.

► **OC Explore Mode [Expert]**

Включение или выключение отображения нормального или экспертного режима настроек разгона.

[Normal] Стандартные параметры разгона в BIOS.

[Expert] Расширенные параметры разгона в BIOS для опытных пользователей.

Примечание: Символом * отмечаются параметры разгона в режиме Expert.

► **Extreme OC Setup [Disabled]***

Устанавливает оптимальные параметры настроек BIOS для экстремального разгона.

► **CPU Ratio Apply Mode [All Core]***

Устанавливает режим применения для множителя CPU. Данный пункт появляется, только если процессор поддерживает **Turbo Boost**.

► **CPU Ratio [Auto]**

Задание множителя процессора для установки его тактовой частоты. Данный пункт появляется, только если функция **CPU Ratio Apply Mode** установлена в **All Core**.

► **X-Core Ratio Limit [Auto]**

Позволяет устанавливать множители процессора для различных активных ядер. Данный пункт появляется, только если функция **CPU Ratio Apply Mode** установлена в **Turbo Ratio**.

► **Numbers of CPU Cores of Group X [Auto]***

Задаёт количество ядер процессора в качестве группы для значения CPU Turbo Ratio. Номер следующей группы должен быть больше предыдущей. Данный пункт появляется, только если функция **CPU Ratio Apply Mode** установлена в **Turbo Ratio**.

► **Target CPU Turbo Ratio Group X [Auto]**

Задаёт значение CPU Turbo Ratio для назначенной группы ядер процессора. Заданное значение CPU Turbo Ratio не должно быть больше предыдущего. Данный пункт появляется, только если функция **CPU Ratio Apply Mode** установлена в **Turbo Ratio**.

► Adjusted CPU Frequency

Показывает текущую частоту процессора. Это значение нельзя изменять.

► Core X X of X xxxx MHz [Auto]

Позволяет устанавливать множители процессора для различных активных ядер. Данный пункт появляется, только если функция **CPU Ratio Apply Mode** установлена в **Per Core**.

► Turbo Ratio Offset Value [Auto]

Устанавливает значение смещения для CPU Turbo ratio. Данный пункт появляется, только если функция **CPU Ratio Apply Mode** установлена в **Turbo Ratio Offset**.

► CPU Ratio Mode [Dynamic Mode]*

Выбор множителя процессора. Этот пункт появляется при установке множителя процессора вручную.

[Fixed Mode] Фиксирует множитель процессора.

[Dynamic Mode] Множитель процессора будет меняться в зависимости от загрузки процессора.

► CPU Ratio Offset When Running AVX [Auto]

Устанавливает значение смещения для понижения множителя процессора. Это может быть полезным для снижения тепловыделения при запуске набора инструкций AVX. При установке в Auto, BIOS установит данный параметр автоматически. Этот пункт появляется при установке процессора с поддержкой данной функции.

► Ring Ratio [Auto]

Установка множителя кольцевой шины. Диапазон допустимых значений зависит от установленного процессора.

► Adjusted Ring Frequency

Показывает текущий множитель кольцевой шины. Это значение нельзя изменять.

► GT Ratio [Auto]

Установка множителя для интегрированной графики. Диапазон допустимых значений зависит от установленного процессора.

► Adjusted GT Frequency

Показывает измененную частоту интегрированной графики. Это значение нельзя изменять.

► +Misc Setting*

Нажмите клавишу Enter, + или -, чтобы включить или выключить следующие пункты, связанные с характеристиками процессора.

► CPU Base Clock (MHz) [Default]

Установка базовой тактовой частоты процессора. Изменение этого параметра обеспечивает возможность «разгона» процессора. Обращаем ваше внимание, что успешность разгона и стабильная работа системы при этом не гарантируется. Данный пункт появляется, только если процессор поддерживает эту функцию.

► CPU Base Clock Apply Mode [Auto]*

Устанавливает способ применения изменений для заданной базовой частоты процессора.

[Auto] Этот параметр будет настроен автоматически с помощью BIOS.

[Next Boot] Процессор перейдет на заданную базовую частоту при следующей загрузке.

[Immediate] Процессор перейдет на заданную базовую частоту немедленно.

► Clockgen Features sub-menu

Нажмите **Enter** для входа в подменю, Устанавливает параметры тактового генератора.

► Extreme Memory Profile (XMP) [Disabled]

XMP (Extreme Memory Profile) является технологией разгона для модулей памяти. Включите XMP или выберите профиль модуля памяти XMP для разгона. Этот пункт доступен при установке модулей памяти с поддержкой XMP.

► DRAM Reference Clock [Auto]*

Установка референсной частоты DRAM. Диапазон допустимых значений зависит от установленного процессора. Данный пункт появляется, только если процессор поддерживает эту функцию.

► DRAM Frequency [Auto]

Установка частоты памяти DRAM. Обратите внимание, что возможность успешного разгона не гарантируется.

► Adjusted DRAM Frequency

Показывает текущую частоту DRAM. Это значение нельзя изменять.

► Load Memory Presets [Disabled]*

Загрузка профиля разгона памяти OC Memory Preset позволяет оптимизировать тайминги и напряжение на выбранных модулях памяти.

► Memory Try It ! [Disabled]

Позволяет улучшить совместимость памяти и производительность, путем выбора наиболее оптимального пресета.

► DRAM Timing Mode [Link]

Режимы таймингов памяти.

[Link] Позволяет пользователю настроить тайминги DRAM вручную для всех каналов памяти.

[UnLink] Позволяет пользователю настроить тайминги DRAM вручную для соответствующего канала памяти.

► Advanced DRAM Configuration

Нажмите **Enter** для входа в подменю, Пользователь может настроить тайминги для каждого канала памяти. Система может работать нестабильно или не загружаться после изменения таймингов памяти. Если система работает нестабильно, пожалуйста, очистите данные CMOS и восстановите настройки по умолчанию. (см. раздел «джампер/ кнопка очистки данных CMOS» для очистки данных CMOS и вход в BIOS, чтобы загрузить настройки по умолчанию.)

► **Memory Fast Boot [Auto] ***

Включает или выключает инициализацию и тренировку памяти при каждой загрузке.

[Auto] Этот параметр будет настроен автоматически с помощью BIOS.

[Enabled] Система будет сохранять настройки, определенные при первой инициализации и тренировке памяти. Оперативная память более не будет подвергаться процессу инициализации и тренировке измененными настройками для ускорения загрузки.

[Disabled] Память будет проходить процесс инициализации и тренировки при каждой загрузке.

► **DigitALL Power sub-menu**

Нажмите **Enter** для входа в подменю, в котором вы можете настроить защитные условия для напряжения/ тока/ температуры процессора.

► **CPU Core/ GT Voltage Mode [Auto]***

Позволяет выбрать режим управления напряжениями ядра процессора/ напряжений GT.

► **CPU Core Voltage Mode [Auto]***

Позволяет выбрать режим управления напряжениями ядра процессора.

► **CPU Voltages control [Auto]**

Эти параметры позволяют вам задать напряжения, связанные с процессором. При установке в **Auto**, BIOS установит напряжения автоматически. Вы также можете настроить напряжения вручную.

► **DRAM Voltages control [Auto]**

Эти параметры позволяют вам задать напряжения, связанные с памятью. При установке в **Auto**, BIOS установит напряжения автоматически. Вы также можете настроить напряжения вручную.

► **PCH Voltages control [Auto]**

Эти параметры позволяют вам задать напряжения, связанные с чипсетом. При установке в **Auto**, BIOS установит напряжения автоматически. Вы также можете настроить напряжения вручную.

► **CPU Memory Changed Detect [Enabled]***

Включение или выключение предупреждающих сообщений при загрузке системы, когда процессор или память были заменены.

[Enabled] Система выдает предупреждение во время загрузки. Требуется загрузить настройки по умолчанию для новых устройств.

[Disabled] Выключение этой функции и сохранение текущих настроек BIOS.

► **OC Quick View Timer [3 Sec]***

Установка продолжительности отображения на экране значений настройки OC. При установке в Выкл. BIOS не будет отображать варианты параметров OC.

► CPU Specifications sub-menu

Нажмите **Enter** для входа в подменю. В этом подменю представлена информация об установленном процессоре. Для просмотра этой информации в любое время нажмите на кнопку [F4]. Это значение нельзя изменять.

► MEMORY-Z sub-menu

Нажмите **Enter** для входа в подменю. В подменю выделены все параметры и тайминги установленной памяти. Для просмотра этой информации в любое время нажмите на кнопку [F5].

► CPU Features sub-menu

Нажмите **Enter** для входа в подменю. Вы можете включить или отключить функции и технологии процессора, чтобы защитить процессор от повреждений и повысить производительность системы.

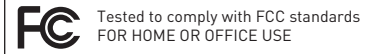
Regulatory Notices

FCC Compliance Statement

Note: This equipment has been tested and found to comply with the limits for a Class B digital device, pursuant to part 15 of the FCC Rules. These limits are designed to provide reasonable protection against harmful interference in a residential installation. This equipment generates, uses and can radiate radio frequency energy and, if not installed and used in accordance with the instructions, may cause harmful interference to radio communications. However, there is no guarantee that interference will not occur in a particular installation. If this equipment does cause harmful interference to radio or television reception, which can be determined by turning the equipment off and on, the user is encouraged to try to correct the interference by one or more of the following measures:

- Reorient or relocate the receiving antenna.
- Increase the separation between the equipment and receiver.
- Connect the equipment into an outlet on a circuit different from that to which the receiver is connected.
- Consult the dealer or an experienced radio/TV technician for help.


Caution: Changes or modifications not expressly approved by the party responsible for compliance could void the user's authority to operate the equipment.



This device complies with part 15 of the FCC Rules. Operation is subject to the following two conditions:

(1) This device may not cause harmful interference, and (2) this device must accept any interference received, including interference that may cause undesired operation.

CE Conformity


 Products bearing the CE marking comply with one or more of the following EU Directives as may be applicable:

RED 2014/53/EU; Low Voltage Directive 2014/35/EU; EMC Directive 2014/30/EU; RoHS Directive 2011/65/EU.


Compliance with these directives is assessed using applicable European Harmonized Standards.

The point of contact for regulatory matters is MSI, MSI-NL Eindhoven 5706 5692 ER Son.

B급 기기 (가정용 방송통신기자재)

 이 기기는 가정용(B급) 전자파적합기기로서 주로 가정에서 사용하는 것을 목적으로 하며, 모든 지역에서 사용할 수 있습니다.

クラスB情報技術装置

 この装置は、クラスB情報技術装置です。この装置は、家庭環境で使用することを目的としていますが、この装置がラジオやテレビジョン受信機に近接して使用されると、受信障害を引き起こすことがあります。取扱説明書に従って

正しい取り扱いをして下さい

VCCI-B

C-Tick Compliance



Battery Information

European Union:



Batteries, battery packs, and accumulators should not be disposed of as unsorted household waste. Please use the public collection system to return, recycle, or treat them in compliance with the local regulations.

Taiwan:



廢電池請回收

For better environmental protection, waste batteries should be collected separately for recycling or special disposal.

California, USA:



The button cell battery may contain perchlorate material and requires special handling when recycled or disposed of in California.

For further information please visit:

<http://www.dtsc.ca.gov/hazardouswaste/perchlorate/>

CAUTION: There is a risk of explosion, if battery is incorrectly replaced.

Replace only with the same or equivalent type recommended by the manufacturer.

Chemical Substances Information

In compliance with chemical substances regulations, such as the EU REACH Regulation (Regulation EC No. 1907/2006 of the European Parliament and the Council), MSI provides the information of chemical substances in products at:

http://www.msi.com/html/popup/csr/evmtprrt_pcm.html

Environmental Policy

- The product has been designed to enable proper reuse of parts and recycling and should not be thrown away at its end of life.
- Users should contact the local authorized point of collection for recycling and disposing of their end-of-life products.
- Visit the MSI website and locate a nearby distributor for further recycling information.
- Users may also reach us at gpcntdev@msi.com for information regarding proper Disposal, Take-back, Recycling, and Disassembly of MSI products.



WEEE (Waste Electrical and Electronic Equipment) Statement

ENGLISH

To protect the global environment and as an environmentalist, MSI must remind you that...



Under the European Union ("EU") Directive on Waste Electrical and Electronic Equipment, Directive 2002/96/EC, which takes effect on August 13, 2005, products of "electrical

and electronic equipment” cannot be discarded as municipal wastes anymore, and manufacturers of covered electronic equipment will be obligated to take back such products at the end of their useful life. MSI will comply with the product take back requirements at the end of life of MSI-branded products that are sold into the EU. You can return these products to local collection points.

DEUTSCH

Hinweis von MSI zur Erhaltung und Schutz unserer Umwelt

Gemäß der Richtlinie 2002/96/EG über Elektro- und Elektronik-Altgeräte dürfen Elektro- und Elektronik-Altgeräte nicht mehr als kommunale Abfälle entsorgt werden. MSI hat europaweit verschiedene Sammel- und Recyclingunternehmen beauftragt, die in die Europäische Union in Verkehr gebrachten Produkte, am Ende seines Lebenszyklus zurückzunehmen. Bitte sorgen Sie dieses Produkt zum gegebenen Zeitpunkt ausschließlich an einer lokalen Altgerätesammelstelle in Ihrer Nähe.

FRANÇAIS

En tant qu'écologiste et afin de protéger l'environnement, MSI tient à rappeler ceci...

Au sujet de la directive européenne (EU) relative aux déchets des équipements électriques et électroniques, directive 2002/96/EC, prenant effet le 13 août 2005, que les produits électriques et électroniques ne peuvent être déposés dans les décharges ou tout simplement mis à la poubelle. Les fabricants de ces équipements seront obligés de récupérer certains produits en fin de vie. MSI prendra en compte cette exigence relative au retour des produits en fin de vie au sein de la communauté européenne. Par conséquent vous pouvez retourner localement ces matériels dans les points de collecte.

РУССКИЙ

Компания MSI предпринимает активные действия по защите окружающей среды, поэтому напоминаем вам, что....

В соответствии с директивой Европейского Союза (ЕС) по предотвращению загрязнения окружающей среды использованным электрическим и электронным оборудованием (директива WEEE 2002/96/ЕС), вступающей в силу 13 августа 2005 года, изделия, относящиеся к электрическому и электронному оборудованию, не могут рассматриваться как бытовой мусор, поэтому производители вышеперечисленного электронного оборудования обязаны принимать его для переработки по окончании срока службы. MSI обязуется соблюдать требования по приему продукции, проданной под маркой MSI на территории ЕС, в переработку по окончании срока службы. Вы можете вернуть эти изделия в специализированные пункты приема.

ESPAÑOL

MSI como empresa comprometida con la protección del medio ambiente, recomienda:

Bajo la directiva 2002/96/EC de la Unión Europea en materia de desechos y/o equipos electrónicos, con fecha de rigor desde el 13 de agosto de 2005, los productos clasificados como "eléctricos y equipos electrónicos" no pueden ser depositados en los contenedores habituales de su municipio, los fabricantes de equipos electrónicos, están obligados

a hacerse cargo de dichos productos al término de su período de vida. MSI estará comprometido con los términos de recogida de sus productos vendidos en la Unión Europea al final de su período de vida. Usted debe depositar estos productos en el punto limpio establecido por el ayuntamiento de su localidad o entregar a una empresa autorizada para la recogida de estos residuos.

NEDERLANDS

Om het milieu te beschermen, wil MSI u eraan herinneren dat....

De richtlijn van de Europese Unie (EU) met betrekking tot Vervuling van Elektrische en Electronische producten (2002/96/EC), die op 13 Augustus 2005 in zal gaan kunnen niet meer beschouwd worden als vervuiling. Fabrikanten van dit soort producten worden verplicht om producten retour te nemen aan het eind van hun levenscyclus. MSI zal overeenkomstig de richtlijn handelen voor de producten die de merknaam MSI dragen en verkocht zijn in de EU. Deze goederen kunnen geretourneerd worden op lokale inzamelingspunten.

SRPSKI

Da bi zaštitili prirodnu sredinu, i kao proizvođače koje vodi računa o okolini i prirodnoj sredini, MSI mora da vas podesti da...

Po Direktivi Evropske unije ("EU") o odbačenoj elektonskoj i električnoj opremi, Direktiva 2002/96/EC, koja stupa na snagu od 13. Avgusta 2005, proizvodi koji spadaju pod "elektronsku i električnu opremu" ne mogu više biti odbačeni kao običan otpad i proizvođači ove opreme biće prinuđeni da uzmu natrag ove proizvode na kraju njihovog uobičajenog veka trajanja. MSI će poštovati zahtev o preuzimanju ovakvih proizvoda kojima je istekao vek trajanja, koji imaju MSI oznaku i koji su prodati u EU. Ove proizvode možete vratiti na lokalnim mestima za prikupljanje.

POLSKI

Aby chronić nasze środowisko naturalne oraz jako firma dbająca o ekologię, MSI przypomina, że...

Zgodnie z Dyrektywą Unii Europejskiej ("UE") dotyczącą odpadów produktów elektrycznych i elektronicznych (Dyrektywa 2002/96/EC), która wchodzi w życie 13 sierpnia 2005, tzw. "produkty oraz wyposażenie elektryczne i elektroniczne" nie mogą być traktowane jako śmieci komunalne, tak więc producenci tych produktów będą zobowiązani do odbierania ich w momencie gdy produkt jest wycofywany z użycia. MSI wypetni wymagania UE, przyjmując produkty (sprzedawane na terenie Unii Europejskiej) wycofywane z użycia. Produkty MSI będzie można zwracać w wyznaczonych punktach zbiorczych.

TÜRKÇE

Çevreci özelliğiyle bilinen MSI dünyada çevreyi korumak için hatırlatır:

Avrupa Birliği (AB) Kararnamesi Elektrik ve Elektronik Malzeme Atığı, 2002/96/EC Kararnamesi altında 13 Ağustos 2005 tarihinden itibaren geçerli olmak üzere, elektrikli ve elektronik malzemeler diğer atıklar gibi çöpe atılmayacak ve bu elektronik cihazların üreticileri, cihazların kullanım süreleri bittikten sonra ürünleri geri toplamakla yükümlü olacaktır. Avrupa Birliği'ne satılan MSI markalı ürünlerin kullanım süreleri bittiğinde MSI ürünlerin geri alınması isteği ile işbirliği içerisinde olacaktır. Ürünlerinizi yerel toplama noktalarına bırakabilirsiniz.

ČESKY

Záleží nám na ochraně životního prostředí - společnost MSI upozorňuje...

Podle směrnice Evropské unie ("EU") o likvidaci elektrických a elektronických výrobků 2002/96/EC platné od 13. srpna 2005 je zakázáno likvidovat "elektrické a elektronické výrobky" v běžném komunálním odpadu a výrobci elektrických výrobků, na které se tato směrnice vztahuje, budou povinni odebírat takové výrobky zpět po skončení jejich životnosti. Společnost MSI splní požadavky na odebrání výrobků značky MSI, prodávaných v zemích EU, po skončení jejich životnosti. Tyto výrobky můžete odevzdat v místních sběrnách.

MAGYAR

Annak érdekében, hogy környezetiünket megvédjük, illetve környezetvédként fellépve az MSI emlékezteti Önt, hogy ...

Az Európai Unió („EU”) 2005. augusztus 13-án hatályba lépett, az elektromos és elektronikus berendezések hulladékaikról szóló 2002/96/EK irányelve szerint az elektromos és elektronikus berendezések többé nem kezelhetők lakossági hulladékként, és az ilyen elektronikus berendezések gyártói kötelessé válnak az ilyen termékek visszavételére azok hasznos élettartama végén. Az MSI betartja a termékvisszavételrel kapcsolatos követelményeket az MSI márkanev alatt az EU-n belül értékesített termékek esetében, azok élettartamának végén. Az ilyen termékeket a legközelebbi gyűjtőhelyre viheti.

ITALIANO

Per proteggere l'ambiente, MSI, da sempre amica della natura, ti ricorda che....

In base alla Direttiva dell'Unione Europea (EU) sullo Smaltimento dei Materiali Elettrici ed Elettronici, Direttiva 2002/96/EC in vigore dal 13 Agosto 2005, prodotti appartenenti alla categoria dei Materiali Elettrici ed Elettronici non possono più essere eliminati come rifiuti municipali: i produttori di detti materiali saranno obbligati a ritirare ogni prodotto alla fine del suo ciclo di vita. MSI si addegerà a tale Direttiva ritirando tutti i prodotti marchiati MSI che sono stati venduti all'interno dell'Unione Europea alla fine del loro ciclo di vita. È possibile portare i prodotti nel più vicino punto di raccolta

日本JIS C 0950材質宣言

日本工業規格JIS C 0950により、2006年7月1日以降に販売される特定分野の電気および電子機器について、製造者による含有物質の表示が義務付けられます。

http://www.msi.com/html/popup/csr/cemm_jp.html

http://tw.msi.com/html/popup/csr_tw/cemm_jp.html

India RoHS

This product complies with the "India E-waste (Management and Handling) Rule 2011" and prohibits use of lead, mercury, hexavalent chromium, polybrominated biphenyls or polybrominated diphenyl ethers in concentrations exceeding 0.1 weight % and 0.01 weight % for cadmium, except for the exemptions set in Schedule 2 of the Rule.

Türkiye EEE yönetmeliği

Türkiye Cumhuriyeti: EEE Yönetmeliğine Uygundur

Україна обмеження на наявність небезпечних речовин

Обладнання відповідає вимогам Технічного регламенту щодо обмеження використання деяких небезпечних речовин в електричному та електронному обладнанні, затвердженого постановою Кабінету Міністрів України від 3 грудня 2008 № 1057.

Việt Nam RoHS

Kể từ ngày 01/12/2012, tất cả các sản phẩm do công ty MSI sản xuất tuân thủ Thông tư số 30/2011/TT-BCT quy định hàm thời về giới hạn hàm lượng cho phép của một số hóa chất độc hại có trong các sản phẩm điện, điện tử

Wireless Radio Use

This device is restricted to indoor use when operating in the 2.4GHz, 5GHz frequency band.

Cet appareil doit être utilisé à l'intérieur.

당해 무선설비는 운용중 전파혼신 가능성이 있음.

この製品は、周波数帯域 2.4GHz, 5GHz で動作しているときは、屋内においてのみ使用可能です。

NCC無線設備警告聲明

工作頻率2.4GHz, 5GHz該頻段限於室內使用。

經型式認證合格之低功率射頻電機，非經許可，公司、商號或使用者均不得擅自變更頻率、加大功率或變更原設計之特性及功能。

低功率射頻電機之使用不得影響飛航安全及干擾合法通信；經發現有干擾現象時，應立即停用，並改善至無干擾時方得繼續使用。前項合法通信，指依電信法規定作業之無線電通信。低功率射頻電機須忍受合法通信或工業、科學及醫療用電波輻射性電機設備之干擾。

Products with radio functionality (EMF)

This product incorporates a radio transmitting and receiving device. For computers in normal use, a separation distance of 20 cm ensures that radio frequency exposure levels comply with EU requirements. Products designed to be operated at closer proximities, such as tablet computers, comply with applicable EU requirements in typical operating positions. Products can be operated without maintaining a separation distance unless otherwise indicated in instructions specific to the product.

Restrictions for products with radio functionality




CAUTION: IEEE 802.11x wireless LAN with 5.15–5.35 GHz frequency band is restricted for indoor use only in all European Union member states, EFTA (Iceland, Norway, Liechtenstein), and most other European countries (e.g., Switzerland, Turkey, Republic of Serbia). Using this WLAN application outdoors might lead to interference issues with existing radio services.

Radio frequency bands and maximum power levels

Features	:802.11 a/b/g/n/ac, BT
Frequency Range	:2.4GHz, 5GHz
Modulation	:FHSS, DSSS, OFDM
Power Output	:10, 20, 23
Channel Band Width	:1, 5, 20, 40, 80MHz

MS-7C71主板产品中有害物质的名称及含量

部件名称	有害物质					
	铅 [Pb]	汞 [Hg]	镉 [Cd]	六价铬 [Cr(VI)]	多溴联苯 [PBB]	多溴二苯醚 [PBDE]
印刷电路板组件*	×	○	○	○	○	○
电池** 	×	○	○	○	○	○
外部信号连接头	×	○	○	○	○	○
线材	×	○	○	○	○	○

本表格依据 SJ/T 11364 的规定编制。

○: 表示该有害物质在该部件所有均质材料中的含量均在 GB/T 26572 规定的限量要求以下。

×: 表示该有害物质至少在该部件的某一均质材料中的含量超出 GB/T 26572 规定的限量要求,但所有部件都符合欧盟RoHS要求。

* 印刷电路板组件: 包括印刷电路板及其构成的零部件。

** 电池本体上如有环保使用期限标识,以本体标识为主。

■ 上述有毒有害物质或元素清单会依型号之部件差异而有所增减。

■ 产品部件本体上如有环保使用期限标识,以本体标识为主。

限用物質含有情況標示聲明書

設備名稱:電腦主機板		型號(型式):MS-7C71					
單元	限用物質及其化學符號						
	鉛 [Pb]	汞 [Hg]	鎘 [Cd]	六價鉻 [Cr ^{VI}]	多溴聯苯 [PBB]	多溴二苯醚 [PBDE]	
電路板	○	○	○	○	○	○	
電子元件	—	○	○	○	○	○	
金屬機構件	—	○	○	○	○	○	
塑膠機構件	○	○	○	○	○	○	

備考1. “超出0.1 wt %”及“超出0.01 wt %”係指限用物質之百分比含量超出百分比含量基準值。

備考2. “○”係指該項限用物質之百分比含量未超出百分比含量基準值。

備考3. “—”係指該項限用物質為排除項目。

Copyright

msi Micro-Star Int'l Co., Ltd.

Copyright © 2020 All rights reserved.

The MSI logo used is a registered trademark of Micro-Star Int'l Co., Ltd. All other marks and names mentioned may be trademarks of their respective owners. No warranty as to accuracy or completeness is expressed or implied. MSI reserves the right to make changes to this document without prior notice.

Revision History

Version 2.0, 2020/04, First release.

Technical Support

If a problem arises with your system and no solution can be obtained from the user guide, please contact your place of purchase or local distributor. Alternatively, please try the following help resources for further guidance.

- Visit the MSI website for technical guide, BIOS updates, driver updates, and other information: <http://www.msi.com>
- Register your product at: <http://register.msi.com>

