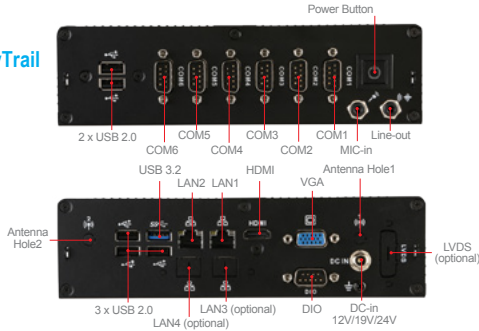


MS-9A69

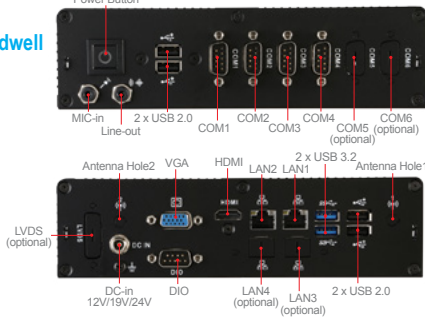
Compact-Size Box PC with Intel® Bay Trail-D or BDW ULT Series Processor for Ultra Low-Power Fanless Solution



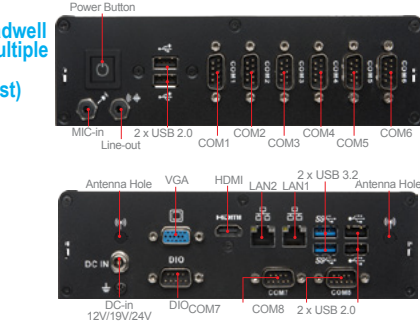
MS-9A69 with BayTrail



MS-9A69 with Broadwell



MS-9A69 with Broadwell 8 COM ports for multiple connection (Support by Request)



Features

- Intel® Bay Trail-D/M Series SoC or Haswell/Broadwell ULT Series
- DDR3L 1333/1600 MHz SODIMM up to 8GB
- Triple independent displays: VGA, HDMI, LVDS (by option)
- 2 GbE LAN with RJ-45
- 2 Mini-PCIe (Full size, 1 with mSATA) or Mini-PCIe (Full-size with mSATA), Mini-PCIe (Half-size) Slots
- SATA 2.0 (2.5" SSD/HDD) or 2 SATA 3.0 (2.5" SSD/HDD) for storage
- USB 3.2 Gen 1, 5 USB 2.0, 6 COM (1 RS-485), GPIO, Audio or 2 USB 3.2 Gen 1, 4 USB 2.0, 4 COM (1 RS-485), GPIO, Audio
- 2 openings reserved for antennas
- DC-IN 12/19/24V

Ordering Information

| Part Number | Description |
|--|-------------|
| Please check MSI IPC website at http://ipc.msi.com for details. | |

Ordering Information

| Part Number | Description |
|--|-------------|
| Please check MSI IPC website at http://ipc.msi.com for details. | |

Specifications

| | | MS-9A69-B1 | MS-9A69-U1 |
|---------------------------------|-----------------------|---|--|
| System Processor | CPU | Intel® Celeron® Processor J1900, QC, 10W | Intel® BDW ULT Core™ i3-5010U Processor, DC, 15W |
| | Frequency | 2 GHz | 2.1 GHz |
| | L2 Cache | 2MB | 3MB |
| | CPU Type | BGA | |
| | Chipset BIOS | Integrated in SoC Process AMI | |
| Memory | Technology | Single-channel DDR3L 1333 MHz | Single-channel DDR3L 1600 MHz |
| | Max. Capacity | Up to 8GB | |
| | Socket | 1 x 204-pin SO-DIMM | |
| Graphic | Controller | Intel® HD Graphics | |
| | Graphic Memory | Depends on CPU | |
| | Multiple Display | 2 or 3 independent displays | |
| Display Interface | VGA | up to 2560 x 1600 @60Hz | up to 1920 x 1200 @60Hz |
| | HDMI | up to 1920 x 1080 @60Hz | up to 1920 x 1080 @60Hz |
| Graphic | LVDS | up to 1920 x 1200 @60Hz (optional) | up to 1920 x 1200 @60Hz (optional) |
| | Display Interface | | LVDS up to 1920 x 1200 @60Hz (optional) |
| Ethernet | Controller | 2 x Intel® I210-AT GbE LAN | |
| | | 1 x Intel® I210-AT GbE LAN 1 x Intel® I218-LM GbE LAN PHY | |
| Audio | Controller | Realtek® ALC887-VD2-CG HD Audio Codec | |
| H/W Monitor | Watchdog Timer | 256-level Watchdog Timer | |
| TPM | Controller | N/A | |
| Expansion Slot | M.2 | N/A | |
| | Mini-PCIe | 2 x Full-size (one w/ mSATA) | 1 x Full-size (w/ mSATA) 1 x Half-size |
| Storage | SATA | 1 x 2.5" HDD/SSD Bay | |
| | mSATA | 1 x Full-size (Shared with Mini-PCIe) | |
| | RJ-45 | 4 (optional 2 x RJ-45 version available) | |
| | PoE | N/A | |
| I/O Interface | Audio | 1 x Line-out | 1 x Mic-in |
| | USB | 5 x USB 2.0 1 x USB 3.2 Gen 1 | 4 x USB 2.0 2 x USB 3.2 Gen 1 |
| | Serial | 6 x COM ports COM1: RS-232/422/485, 0V/5V/12V COM2-6: RS-232, 0V/5V/12V | 4 x COM ports COM1: RS-232/422/485, 0V/5V/12V COM2-4: RS-232, 0V/5V/12V |
| | GPIO | 8-bit (4*GPI; 4*GPO), 5V | |
| | CANbus | 2 x CAN 2.0B (by BOM option) | |
| | HDMI | 1 | |
| | LVDS | 1 (optional) | |
| | VGA | 1 | |
| | Antenna | 2 openings reserved for antennas | |
| | Power Supply | DC Input | DC-in 12V/19V/24V |
| AC Input | | N/A | |
| IP Rating | | N/A | |
| Environment | Operating Temperature | -10 ~ 45°C (HDD) -10 ~ 50°C (SSD or mSATA) | |
| | Operating Humidity | 10 ~ 90%, non-condensing | |
| | Storage Temperature | -20 ~ 80°C | |
| | Storage Humidity | 10 ~ 90%, non-condensing | |
| Physical characteristics | Vibration | Operating: 0.25 Grms, 5-300Hz, 3axes (w/ HDD) | |
| | Shock | Operating: 3 G, half sine 11 ms duration (w/ HDD) | |
| | Dimensions (WxDxH) | 200 x 150 x 55mm | |
| Certification | EMC | FCC, CE, RCM, VCCI, BSMI | |
| | Safety | BSMI | |
| Software Platform | OS Support | Windows 7 (32/64-bit) Windows 8.1 (32/64-bit) Windows 10 (32/64-bit) Linux Fedora 20 (by request) Linux Ubuntu 13.10 (by request) | Windows 7 (32/64-bit) Windows 8.1 (32/64-bit) Windows 10 (64-bit) Linux Fedora 19 (by request) Linux Ubuntu 13.04 (by request) |

Optional Item

| Part Number | Description |
|-----------------|--------------------|
| E22-9A25031-C22 | VESA Mount |
| E24-9B02010-P09 | DIN Rail |
| E41-1356002-P65 | Screw for DIN Rail |

Industrial Computer Board COM Express Board Gseven Board Pico-ITX Board 3.5" Board EPIC Board PICMG Board Mini-ITX Board Micro-ATX Board ATX Board Compact-Size Power Option Board Compact-Size LVDS/DVI Compact-Size DC/DC Full-Size Mini-PCIE Intel® SDM