



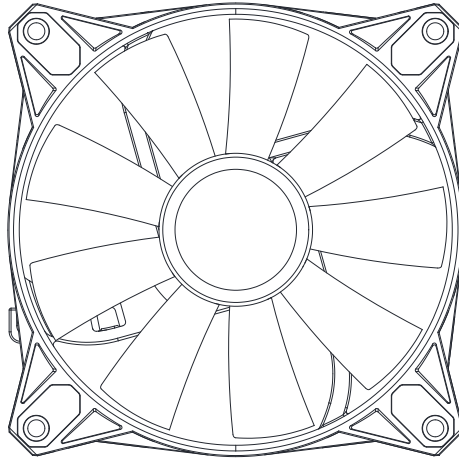
MPG Series

Fan

MPG F120 ARGB

User Guide

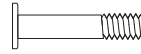
Package Contents



F120 ARGB fan
x2 (for 2 fans package)
x3 (for 3 fans package)



Screw \varnothing 5 8mm
x8 (for 2 fans package)
x12 (for 3 fans package)



Screw #6-32 30mm
x8 (for 2 fans package)
x12 (for 3 fans package)

Important

If any of the above items are damaged or missing, please contact your retailer.

Safety Information

- Always disconnect the fan from the power source before performing any maintenance or installation.
- Be cautious when handling the fan blades. They may have sharp edges that could cause injury. Handle with care, and avoid touching the blades when the fan is running.
- Always turn off the power supply and unplug the power cord from the power outlet before installing or removing.
- Do not boot the computer before installation is completed. This could cause permanent damage to the components as well as injury to the user.
- Before turning on the computer, ensure that there are no loose screws or metal components on the motherboard or anywhere within the computer case.
- Use the provided screws for installation. Do not use screws that are too long, as they could damage the fan or other components.
- Ensure that the fan is not obstructed by any objects that could impede airflow. Proper ventilation is essential for optimal cooling.
- Monitor your system's temperatures to prevent overheating. If the fan fails or becomes noisy, replace it promptly to avoid damage to your components.

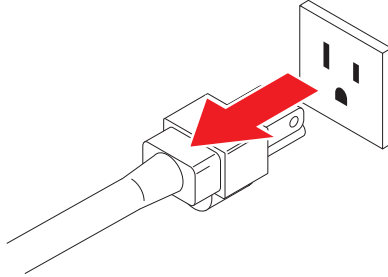
Installation

The steps to install the fan are as follows:

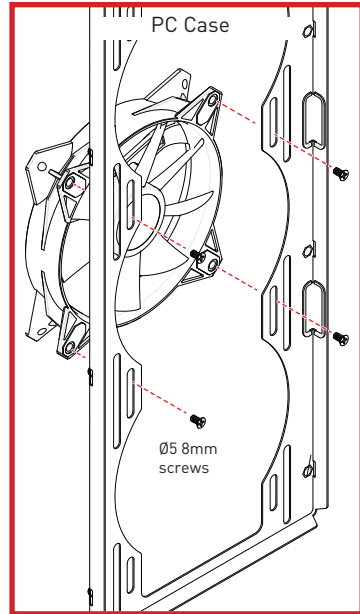
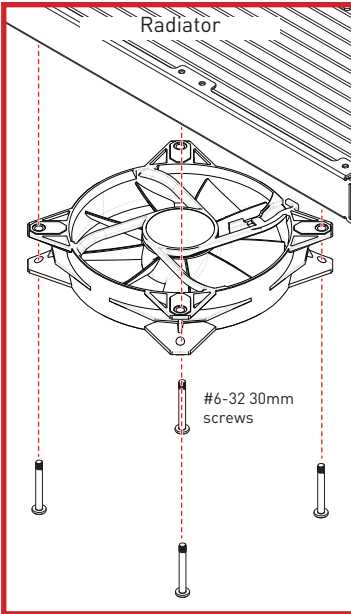
Important

Please note that the illustrations below are for reference only. The placement may vary, depending on the case and actual parts you have.

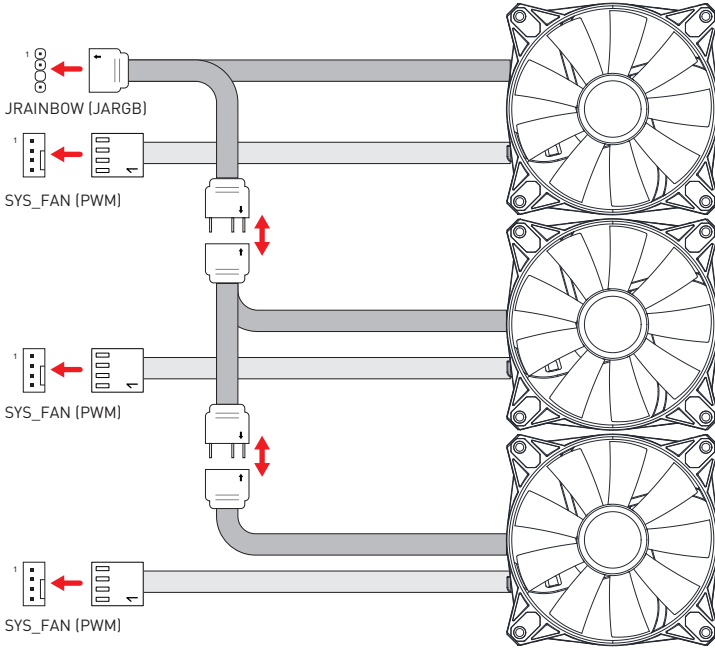
1. Turn off the main power of the computer and unplug the power cord.



2. Align the fan with the mounting holes on your case or radiator. Secure the fan using the provided $\varnothing 5$ 8mm screws (for case installation) or #6-32 30mm screws (for radiator installation). Be careful not to overtighten the screws to avoid damaging the fan.



3. Locate a 4-pin PWM fan header on your motherboard or a fan controller. Connect the fan's 4-pin PWM connector to the corresponding header.
4. Locate an ARGB (JRAINBOW) header on your motherboard or an ARGB controller. Connect the fan's ARGB connector to the corresponding header. You can daisy-chain them by connecting the output of one fan to the input of another, ensuring synchronized lighting effects.



General Information

Copyright and Trademarks Notice

Copyright © Micro-Star Int'l Co., Ltd. All rights reserved.

The MSI logo used is a registered trademark of Micro-Star Int'l Co., Ltd. All other marks and names mentioned may be trademarks of their respective owners. No warranty as to accuracy or completeness is expressed or implied. MSI reserves the right to make changes to this document without prior notice.

msi

All text, images, illustrations, and other content in this manual are the property of MSI. No part of this manual may be reproduced, distributed, or used in any form without the written permission of MSI.

Revision History

- Version 1.0, 2023/09, First release.

